

Features

- 300W DC/DC converter in Half Brick format

Regulated Converters

- 9-36VDC wide input voltage range
- 3kVDC/1 minute insulation
- Fully protected with UVLO, SCP, OVP, and OLP



REC300H-W

**300 Watt
Half Brick
Single Output**



Description

The REC300H-W is a half-brick encapsulated DC/DC converter which delivers up to 300W. The input range is 9-36VDC, and the tightly regulated, fully protected output voltage options are 12V, 15V, 24V, or 48V - all trimmable over a +/-10% range. Applications include demanding industrial power supplies, telecom, and PoE circuits.

Selection Guide

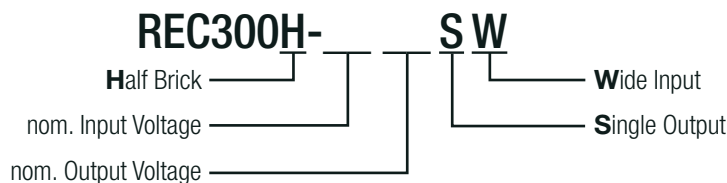
Part Number	Input Voltage Range [VDC]	nom. Output Voltage [VDC]	Output Current max. [A]	Efficiency typ. ⁽¹⁾ [%]	Max. Capacitive Load ⁽²⁾ [µF]
REC300H-2412SW	9 - 36	12	25	86.5	8800
REC300H-2415SW	9 - 36	15	20	87	8800
REC300H-2424SW	9 - 36	24	12.5	86	4300
REC300H-2448SW	9 - 36	48	6.25	87	1500

Notes:

Note1: Efficiency is tested at nominal input and full load at +25°C ambient

Note2: Maximum capacitive load is tested by nominal input and constant resistive load

Model Numbering



IEC/EN62368-1 pending

Specifications (measured @ Ta= 25°C, nom. Vin, full load and after warm-up unless otherwise stated)

BASIC CHARACTERISTICS					
Parameter	Condition		Min.	Typ.	Max.
Internal Input Filter			LC type		
Input Voltage Range	nom. V _{IN} = 24VDC		9VDC	24VDC	36VDC
Input Surge Voltage	1000ms max.				50VDC
Under Voltage Lockout (UVLO)	0% to 100%		7VDC		
Quiescent Current	nom. V _{OUT} = 12, 15, 24VDC			50mA	
	nom. V _{OUT} = 48VDC			70mA	
Minimum Load			0%		
Output Voltage Trimming	V _{IN} = 9-36VDC V _{IN} = 12-36VDC	nom. V _{OUT} = 24VDC	-10%		+10%
		nom. V _{OUT} = 12, 15VDC	-10%		+10%
		nom. V _{OUT} = 48VDC	-10%		+15%
ON/OFF CTRL	DC-DC ON		Open or 3VDC < V _{CTRL} < 12VDC		
	DC-DC OFF		Short or 0VDC < V _{CTRL} < 1.2VDC		

continued on next page

Specifications (measured @ $T_a = 25^\circ\text{C}$, nom. V_{in} , full load and after warm-up unless otherwise stated)

Parameter	Condition	Min.	Typ.	Max.
Start-up Time	nom. $V_{in} = 48\text{VDC}$			200ms
Internal Operating Frequency			250kHz	
Output Ripple and Noise ⁽³⁾	20MHz BW	nom. $V_{OUT} = 12\text{VDC}$	120mVp-p	
		nom. $V_{OUT} = 15\text{VDC}$	150mVp-p	
		nom. $V_{OUT} = 24\text{VDC}$	300mVp-p	
		nom. $V_{OUT} = 48\text{VDC}$	480mVp-p	

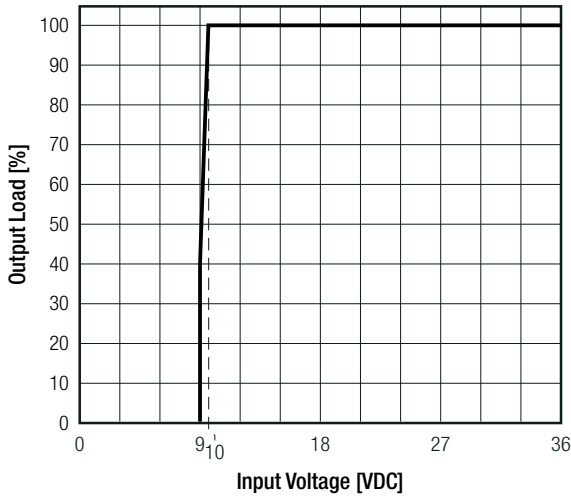
Notes:

Note3: Measured at 20MHz bandwidth and E-Cap, $47\mu\text{F}/100\text{V} + \text{X7R MLCC } 0.47\mu\text{F}/100\text{V}$

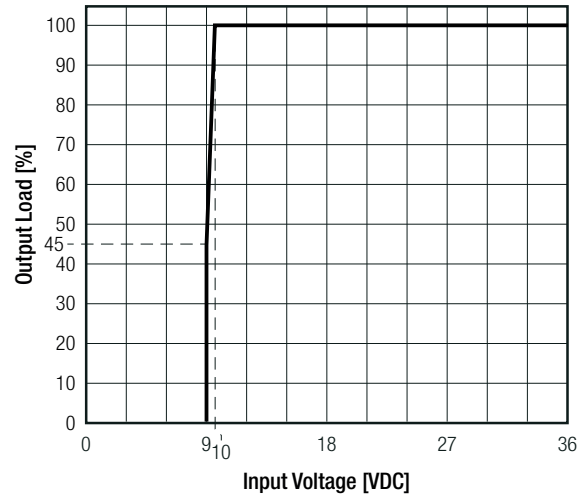
Output Load vs. Input Voltage

(@ nom. $V_{in} = 24\text{VDC}$)

REC300H-2412SW



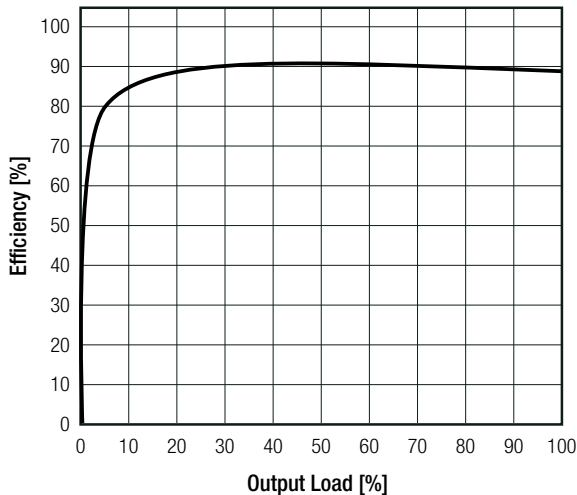
REC300H-2415SW



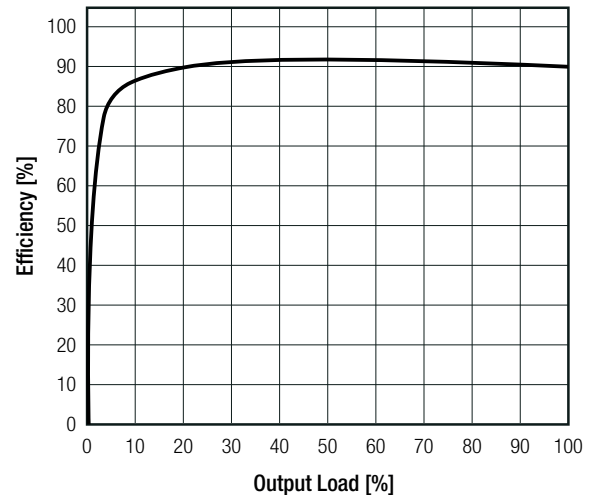
Efficiency vs. Load

(@ nom. $V_{in} = 24\text{VDC}$)

REC300H-2412SW

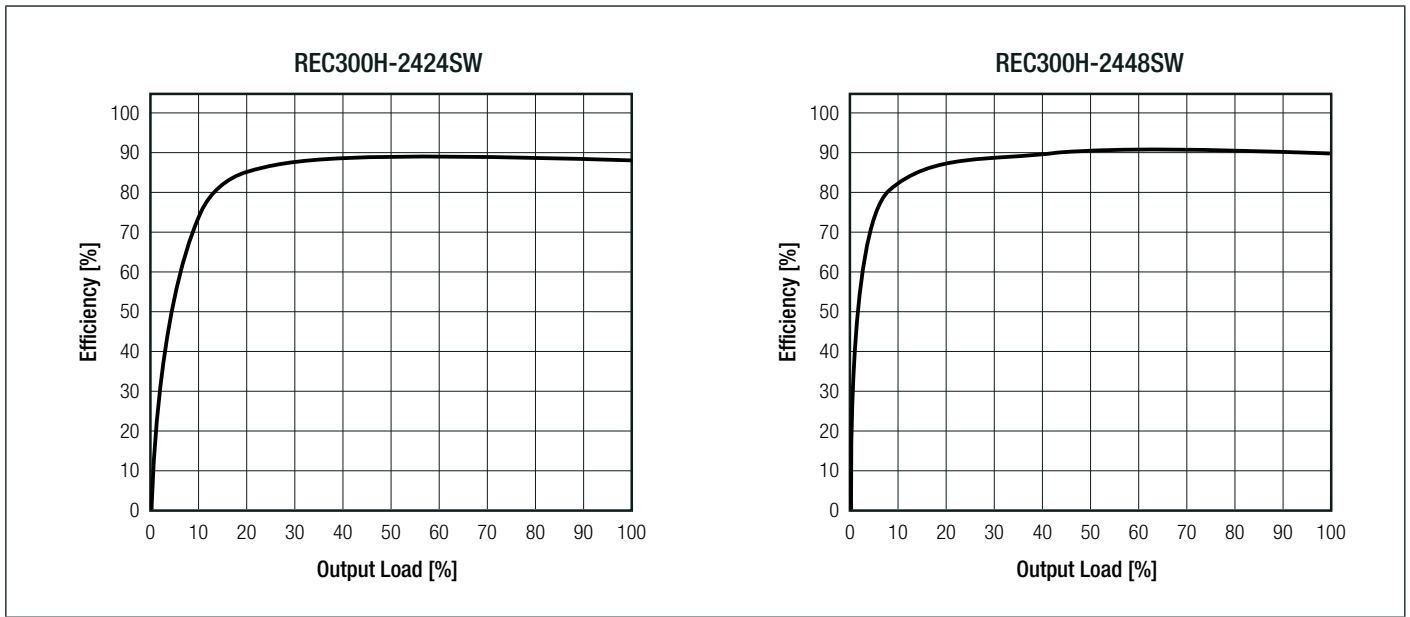


REC300H-2415SW

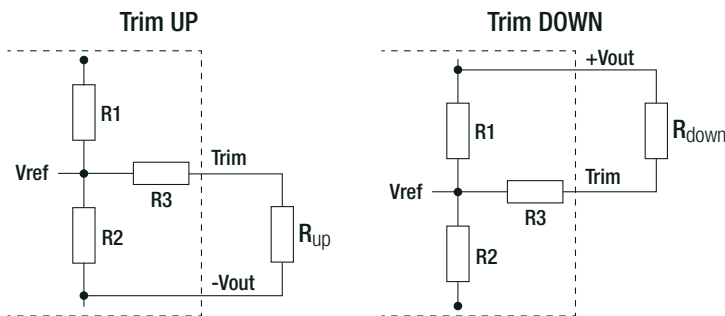


continued on next page

Specifications (measured @ Ta= 25°C, nom. Vin, full load and after warm-up unless otherwise stated)



OUTPUT VOLTAGE TRIMMING



Vout _{nom}	R ₁ [Ω]	R ₂ [Ω]	R ₃ [Ω]	V _{ref} [VDC]
12VDC	38k	10k	68k	2.5
15VDC	50k	10k	68k	2.5
24VDC	103k	5k6	51k	1.24
48VDC	36k4	2k	12k4	2.5

Trim Calculation

- Vout_{nom} = nominal output voltage [VDC]
- Vout_{set} = trimmed output voltage [VDC]
- V_{ref} = reference voltage [VDC]
- R_{up} = trim up resistor [Ω]
- R_{down} = trim down resistor [Ω]
- R₁, R₂, R₃ = internal resistors [Ω]
- k_u = trim up factor (a) []
- k_d = trim down factor (b) []

$$k_u = \left[\frac{V_{ref}}{V_{out_{set}} - V_{ref}} \right] \times R_1$$

$$k_d = \left[\frac{V_{out_{set}} - V_{ref}}{V_{ref}} \right] \times R_2$$

$$R_{up} = \left[\frac{k_u \times R_2}{R_2 - k_u} \right] - R_3$$

$$R_{down} = \left[\frac{k_d \times R_1}{R_1 - k_d} \right] - R_3$$

Trim Up: Vout_{set} = 26.4VDC

Vout_{nom} = 24V

$$k_u = \left[\frac{1.24V}{26.4 - 1.24V} \right] \times 103k\Omega = 4k989\Omega$$

$$R_{up} = \left[\frac{4.989k\Omega \times 5k6\Omega}{5k6\Omega - 4.989k\Omega} \right] - 51k\Omega = 3k28\Omega$$

Trim down: Vout_{set} = 21.6VDC

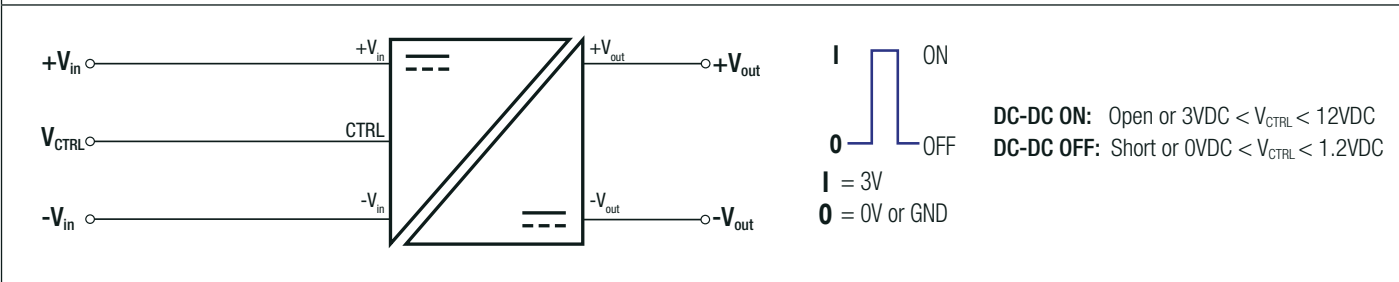
Vout_{nom} = 24V

$$k_d = \left[\frac{21.6 - 1.24V}{1.24V} \right] \times 5k6\Omega = 91k94\Omega$$

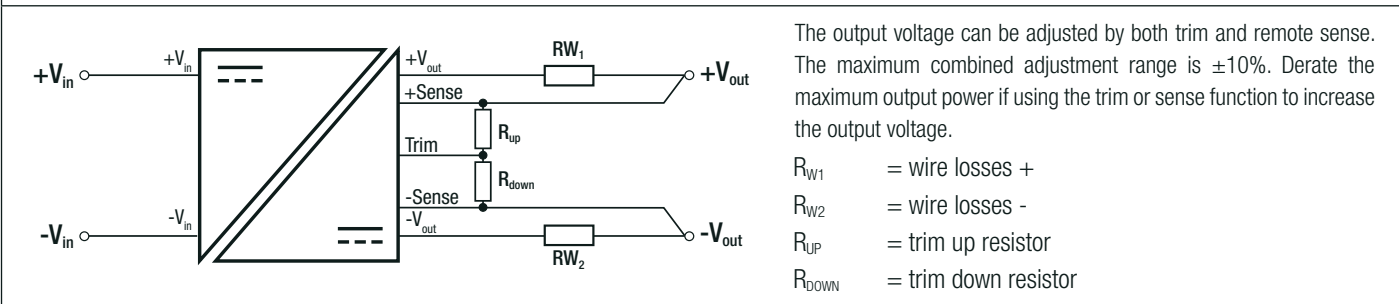
$$R_{down} = \left[\frac{91.94k\Omega \times 103k\Omega}{103k\Omega - 91.94k\Omega} \right] - 51k\Omega = 805k95\Omega$$

Specifications (measured @ Ta= 25°C, nom. Vin, full load and after warm-up unless otherwise stated)

ON/OFF CTRL



REMOTE SENSE



REGULATIONS

Parameter	Condition	Value
Output Accuracy		±1.0% max.
Line Regulation	low line to high line, full load	±0.2% max.
Load Regulation	0% to 100% load	±0.5% max.
Transient Response Recovery Time	25% load step change (75% - 100%)	500µs typ.

PROTECTIONS

Parameter	Type		Value
Short Circuit Protection (SCP)			continuous, auto recovery
Over Voltage Protection (OVP)	shut down	nom. V _{out} = 12VDC	13.4 - 19.2VDC
		nom. V _{out} = 15VDC	16.8 - 24VDC
		nom. V _{out} = 24VDC	26.9 - 38.4VDC
		nom. V _{out} = 48VDC	56.2 - 67.2VDC
Over Load Protection (OLP)			150% of rated I _{OUT} , hiccup
Over Temperature Protection (OTP)	automatic restart after cooldown		110°C max.
Isolation Voltage ⁽⁴⁾	1 minute	I/P o O/P	3kVDC
	1 minute	I/P (O/P) to case	2kVAC (not safety certified)
			1.6kVDC
Isolation Resistance	V _{ISO} = 500VDC		1GΩ min.
Isolation Capacitance			4700pF max.

Notes:

Note4: For repeat Hi-Pot testing, reduce the time and/or the test voltage

Specifications (measured @ Ta= 25°C, nom. Vin, full load and after warm-up unless otherwise stated)

ENVIRONMENTAL

Parameter	Condition	Value
Operating Temperature Range ⁽⁶⁾	with derating (refer to below calculations)	-40°C to +100°C
Max. Baseplate Temperature		+105°C
Temperature Coefficient		0.05%/K max.
Thermal Impedance		refer to "Thermal Calculation Example"
Operating Altitude		2000m
Operating Humidity	non-condensing	5% - 95% RH max.
Pollution Degree		PD2
Vibration		according to MIL-STD-833G-Methode-2026-Letter-D
MTBF	according to MIL-HDBK-217F, G.B.	+25°C 150 x 10 ³ hours

Notes:

Note5: Following calculations are made with REC300H-2424SW. Test PCB: Eurocard 160x100mm 105µm copper, double layer

Thermal Derating with Fan Cooling and Double Layer PCB without Heatsink

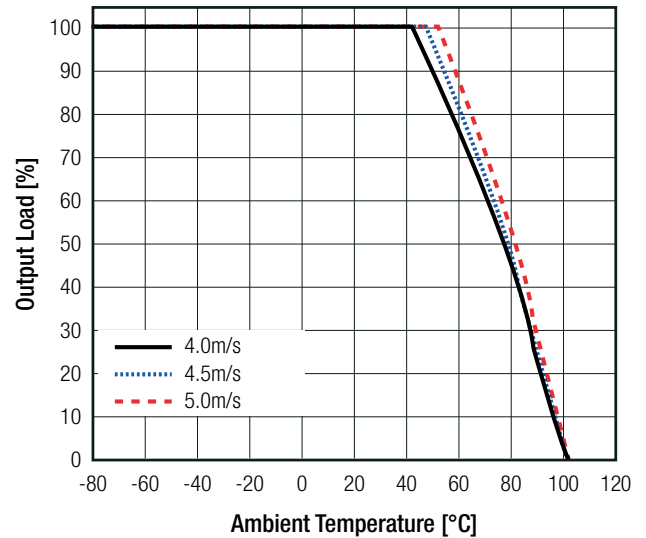
Thermal Impedance	
airflow [m/s]	Rth [K/W]
0	5.5
0.25	5.0
0.5	4.4
1.0	4.0
1.5	2.8
2.0	2.5
2.5	2.2
3.0	1.9
3.5	1.6
4.0	1.3
4.5	1.2
5.0	1.1

Thermal Calculation Example

$$\begin{aligned}
 I_{out} &= 50\% \\
 R_{th} &= 2.5K/W \\
 P_{DISS} &= 21.395W \\
 T_{BASEmax} &= 105^{\circ}C
 \end{aligned}$$

$$T_{OVER} = R_{th} \times P_{DISS} = 2.5K/W \times 21.395W = +53^{\circ}C$$

$$T_{AMBmax} = T_{BASEmax} - T_{OVER} = 105^{\circ}C - 53^{\circ}C = +52^{\circ}C$$



Thermal Derating with Fan Cooling, Double Layer PCB and Heat-sink

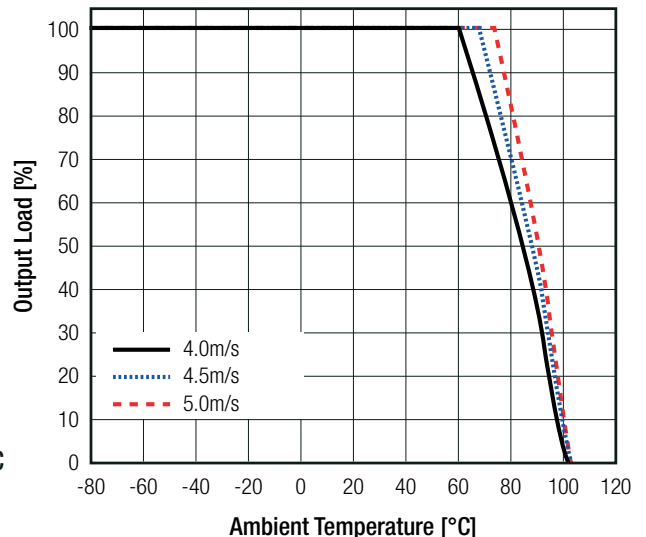
Thermal Impedance	
airflow [m/s]	Rth [K/W]
0.2	3.83
0.5	3.58
0.7	3.16
1.0	2.85
1.2	2.67
1.5	2.28
2.0	1.96
2.5	1.70
3.0	1.44
3.5	1.18
4.0	0.92
4.5	0.75
5.0	0.65

Thermal Calculation Example

$$\begin{aligned}
 I_{out} &= 50\% \\
 R_{th} &= 2.67K/W \\
 P_{DISS} &= 21.395W \\
 T_{BASEmax} &= 105^{\circ}C
 \end{aligned}$$

$$T_{OVER} = R_{th} \times P_{DISS} = 2.67K/W \times 21.395W = +57^{\circ}C$$

$$T_{AMBmax} = T_{BASEmax} - T_{OVER} = 105^{\circ}C - 57^{\circ}C = +48^{\circ}C$$

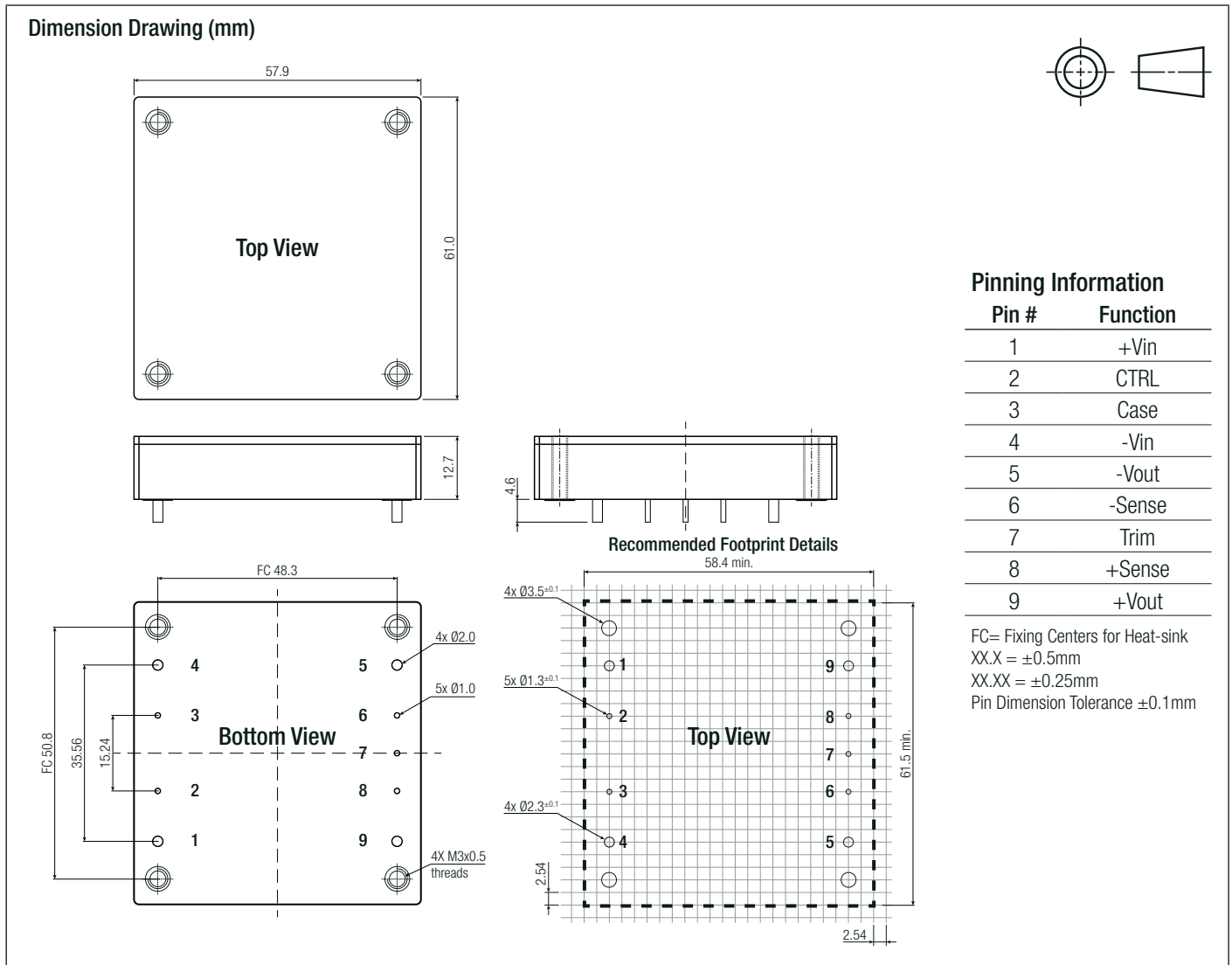


Specifications (measured @ Ta= 25°C, nom. Vin, full load and after warm-up unless otherwise stated)

SAFETY AND CERTIFICATIONS		
Certificate Type (Safety)	Report / File Number	Standard
Audio/Video, information and communication technology equipment - Part1: Safety requirements (CB)	pending	IEC62368-1:2018 3rd Edition
Audio/Video, information and communication technology equipment - Part1: Safety requirements		EN IEC 62368-1:2020+A11:2020
RoHS		RoHS-2011/65/EU + AM-2015/863
EMC Compliance	Condition	Standard / Criterion
Electromagnetic compatibility of multimedia equipment – Emission Requirements	with external components	EN55032:2015+A11:2020, Class A, B
ESD Electrostatic discharge immunity test	Air ±2, 4, 8kV Contact ±2, 4, 6kV	IEC61000-4-2, Criteria A
Radiated, radio-frequency, electromagnetic field immunity test	10V/m	IEC61000-4-3, Criteria A
Fast Transient and Burst Immunity	±2kV	IEC61000-4-4, Criteria A
Surge Immunity	±2kV	IEC61000-4-5, Criteria A
Immunity to conducted disturbances, induced by radio-frequency fields	10Vr.m.s	IEC61000-4-6, Criteria A
Power Magnetic Field Immunity	10A/m 50Hz	IEC61000-4-8, Criteria A

DIMENSION AND PHYSICAL CHARACTERISTICS		
Parameter	Type	Value
Material	case	non-conductive black plastic, (UL94 V-0)
	baseplate	aluminum
	potting	silicone, (UL94 V-0)
	PCB	FR4, (UL94 V-0)
Dimension (LxWxH)		57.9 x 61.0 x 12.7mm
Weight		120g typ.
continued on next page		

Specifications (measured @ Ta= 25°C, nom. Vin, full load and after warm-up unless otherwise stated)



PACKAGING INFORMATION

Parameter	Type	Value
Packaging Dimension (LxWxH)	tube	520.0 x 60.9 x 26.9mm
Packaging Quantity		7pcs
Storage Temperature Range		-55°C to +125°C
Storage Humidity	non-condensing	95% RH max.

The product information and specifications may be subject to changes even without prior written notice. The product has been designed for various applications; its suitability lies in the responsibility of each customer. The products are not authorized for use in safety-critical applications without RECOM's explicit written consent. A safety-critical application is an application where a failure may reasonably be expected to endanger or cause loss of life, inflict bodily harm or damage property. The applicant shall indemnify and hold harmless RECOM, its affiliated companies and its representatives against any damage claims in connection with the unauthorized use of RECOM products in such safety-critical applications.