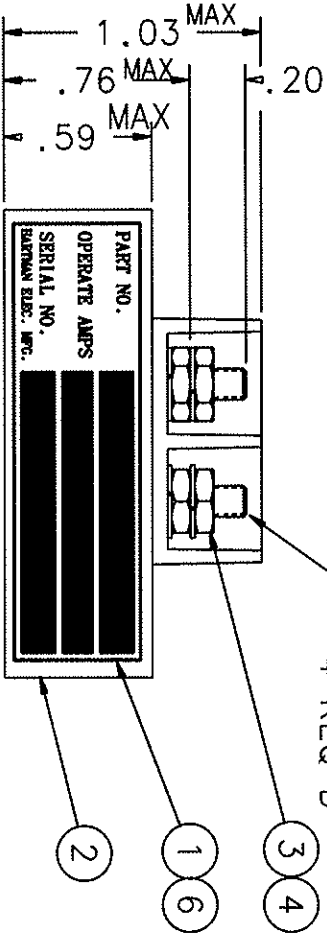
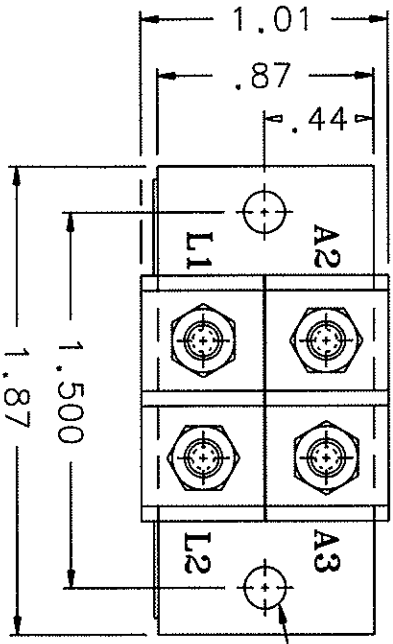
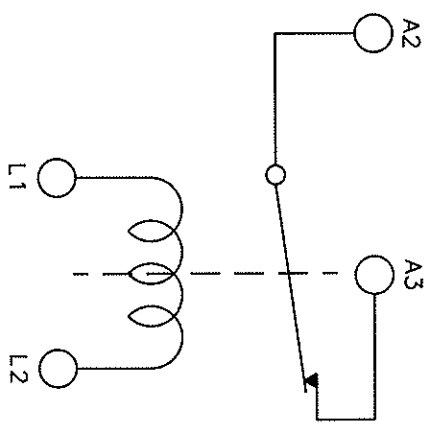
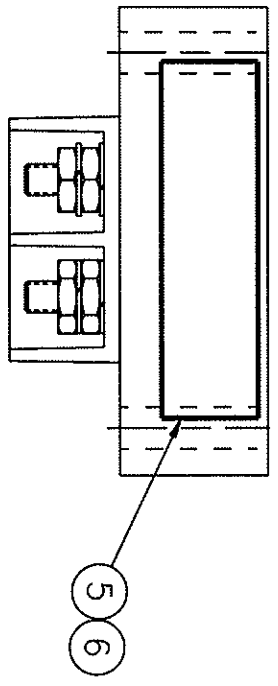


FAA/PMA

REV.	DESCRIPTION	DATE	APPROVED
D 32438	REDRAWN, FIND NO 6 ADDED	97/03/25	RS
E 40462	MAX* ADDED TO .59	99/09/27	RS
F 41496	MAX* ADDED TO .76 & 1.03	00/02/01	RS

Q-50AB-1 REV. F



6-32 UNC-2A
4 REQ'D

166 DIA. HOLE
2 MTC HOLES

OPERATING CHARACTERISTICS
 PICKUP 1.5 AMP MAX.
 DROPOUT LESS THAN 1 AMP
 CONTINUOUS 10 AMPS MAX,
 15 AMP FOR 3 SEC
 1.25 OZ.
 MAX. WEIGHT
 TEMP -55°C TO +71°C
 VIBRATION 10 G's TO 500HZ
 ALTITUDE 50,000 FT. MAX.
 CONTACT RATING 1 AMP SWITCHING
 2 AMP CARRY

FIND NO	QTY	PART OR IDENTIFYING NO	OVERLAY	NO ENCLATURE OR DESCRIPTION	FSOI NO	DRAWING OR SPECIFICATION	MATERIAL OR NOTE
6	2	39529-024	OVERLAY				
5	1	58400-068	PLATE-FAA/PMA				
4	4	51806-014	WASHER - LOCK No.6 SPLIT				BRONZE
3	4	50406-034	NUT 6-32 X 1/4 X 5/64 HEX.				BRASS
2	1	38496-020	RELAY ASSEMBLY - PRIMARY				
1	1	34246-001	PLATE - NAME				

UNLESS OTHERWISE SPECIFIED DIMENSIONS ARE IN INCHES	TOLERANCES ON	ANGLES
2 PL DEC. 13	PL DEC. 13	PL DEC. 13
±.06	±.010	± 1°

DIR BY	RLS	00/02/25
CHK BY	RS	00/02/25
ENGR	RS	00/03/03
MFG	RS	00/03/03
RELEASE		
CONTR. NO.		
GOVT. APPROV.		

HARTMAN ELECTRICAL MANUFACTURING
 MANSFIELD, OHIO

RELAY - CURRENT INDICATOR
 SIZE C CODE IDENT 74063 DWG NO. Q-50AB-1
 SCALE NONE SHEET 093