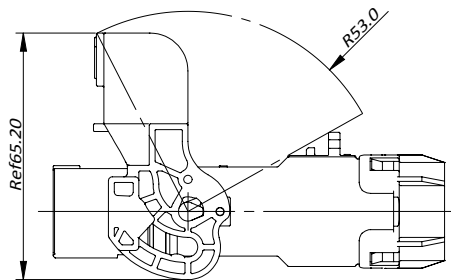
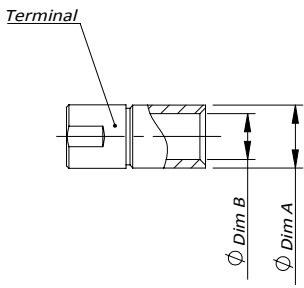
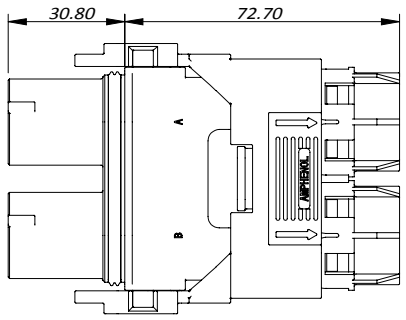
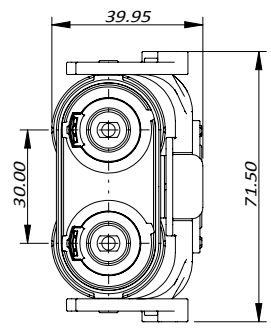
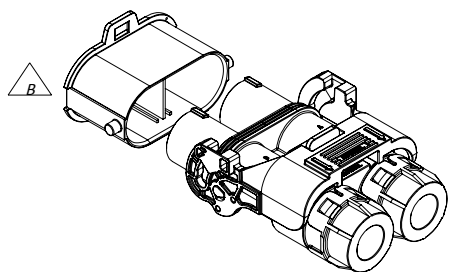


THIS DRAWING IS SUPPLIED FOR INFORMATION ONLY. DESIGN FEATURES, SPECIFICATIONS AND PERFORMANCE DATA SHOWN HEREON ARE THE PROPERTY OF THE AMPHENOL CORPORATION. NO RIGHTS OF REPRODUCTION ARE IMPLIED. ALL DIMENSIONS ARE SUBJECT TO NORMAL MANUFACTURING VARIATIONS.

CUSTOMER DRAWING



REVISIONS					
REV#	ECN#	REVISION ACTION	REV.BY:	APPR.BY:	DATE
A	--	INITIAL RELEASE	JX	JL	03/09/2020
B	--	Add new parts and Key U/V	Star	James	10/13/2020
C	--	Add Protection Cap And KeyW/T	Star	JL	03/04/2021

订购信息 Ordering Information

PL182 X - 30 1 - 70 - 2 -5

Key and Color "X", Orange "Y", Black "U", Yellow "V", Green "W", Red "T", Blue	HVIL "0", NO HVIL "1", With HVIL	Cable Size "70"=70mm2 "50"=50mm2	Cable Type: "-5", Huber+Suhner
---	---	---	--

规格参数 (Spec.):

1. 工作温度 Operating temperature : -40°C ~ +125°C.
2. 带高压互锁 Electrical interlock (HVIL).
3. 额定电流 Current rating:
Power: 50mm², 200A; 70mm², 250A; HVIL: 5A.
4. 额定电压 Operating voltage:
Power: 1000 VDC; Signal: 60 VDC.
5. 耐电压 Dielectric withstanding voltage:
 - A. 与插座对接后, Pin与铁壳之间
When mated, between pin and metal shell: 5000 VDC.
 - B. 与插座对接后, Pin与HVIL之间
When mated, between pin and HVIL: 5000 VDC.
 - C. 与插座对接后, HVIL与铁壳之间
When mated, between HVIL and metal shell: 500 VDC.
 - D. 与插座对接前, 两个HVIL端子之间耐压
Before mating, between two HVIL terminals: 500 VDC.
6. 防护等级 Protection class: Mated-IP6k9k & IP67, unmated-IP2X.
7. 电磁屏蔽 360° full Shielding.
8. 机械寿命 Mating cycle: 100 Min.
9. 带CPA的摇杆系统 Latch system with CPA.
10. 绝缘材料满足UL94 V-0 Inner insulation material satisfy UL94V-0.
11. 镀锌/锌镍合金, 符合RoHS, 满足500H中性盐雾实验
Gray Zinc/Nickel(ZnNi) Plating. RoHS compliant, Rated at 500hours salt spray.

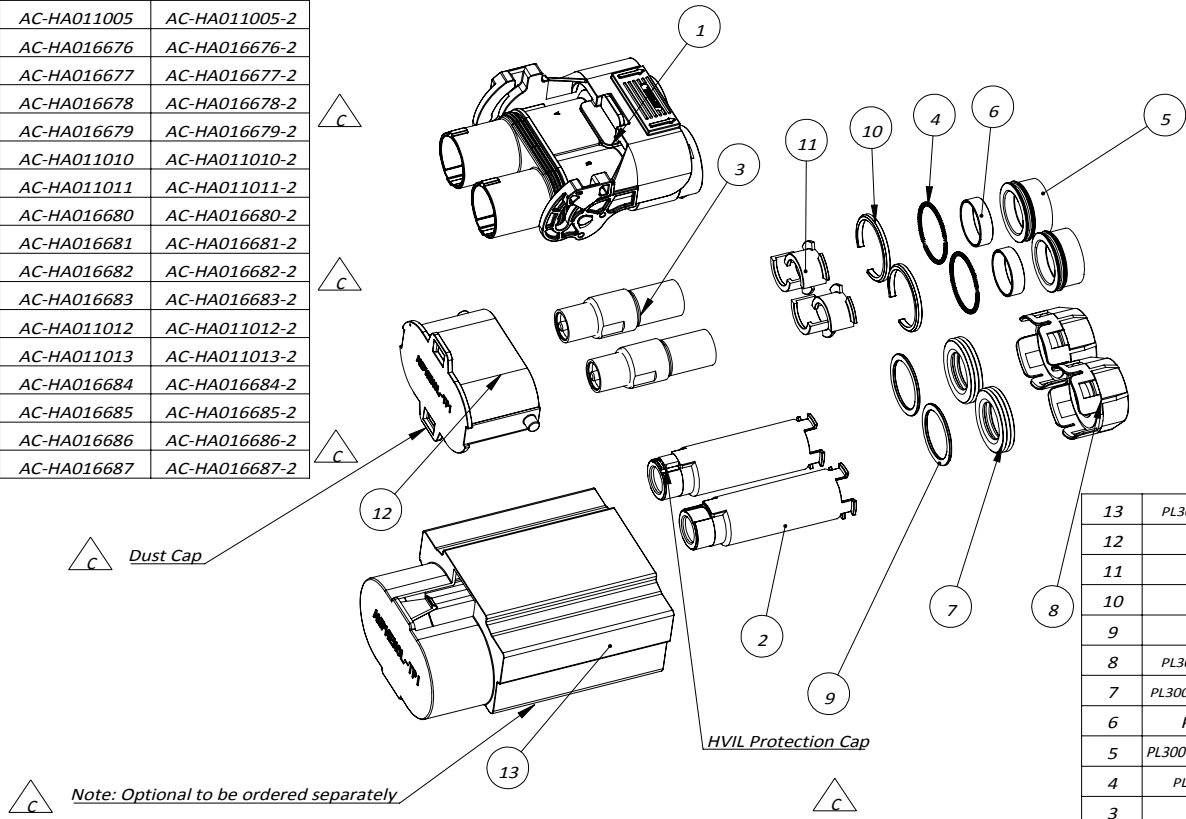
Standard Part List:

Model No.	H+S Part No.	Dia. Primary Insulation(mm)	Dia. of Screen max. (mm)	Overall-Dia. Nominal(mm)	Outside-Dia. of terminal(mm): "A"	Inside-Dia. of terminal(mm): "B"
PL182(X)-30X-70-2-5	84100298	13.7±0.3	14.6	17.0±0.3	16.7±0.3	12.2±0.3
PL182(X)-30X-50-2-5	84096257	11.5±0.3	12.6	14.9±0.3	14.0±0.3	10.0±0.3

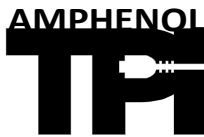
	Amphenol Technical Products International Asia.					PART NAME: PL300 G2 2POS Straight Plug
	第三角投影 THIRD ANGLE PROJECTION	页面 SHEET	幅面 SIZE	版次 REV.	比例 SCALE	
签名 SIGNATURE	日期 DATE	UNLESS OTHERWISE SPECIFIED 1) All dimensions are in metric(mm). 2) Tolerances are as follows: 1.PL DEC ± 1.00 2.PL DEC ± 0.50 3.PL DEC ± 0.20			CUST PART #	
制图 DRAWN	Star	03/04/2021	Angles ±1°			CUST REV.
审核 CHECKED						
批准 APPROVAL						

THIS DRAWING IS SUPPLIED FOR INFORMATION ONLY. DESIGN FEATURES, SPECIFICATIONS AND PERFORMANCE DATA SHOWN HEREON ARE THE PROPERTY OF THE AMPHENOL CORPORATION. NO RIGHTS OF REPRODUCTION ARE IMPLIED. ALL DIMENSIONS ARE SUBJECT TO NORMAL MANUFACTURING VARIATIONS.

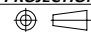
1	2	3	4	5	6	7	8	
型号 Model	Kit Package P/N	Bulk Package P/N	REVISIONS					
PL182X-300-50-2-5	AC-HA011002	AC-HA011002-2	REV#	ECN#	REVISION ACTION	REV.BY:	APPR.BY:	DATE
PL182Y-300-50-2-5	AC-HA011003	AC-HA011003-2	A	--	INITIAL RELEASE	JX	JL	03/09/2020
PL182U-300-50-2-5	AC-HA016672	AC-HA016672-2	B	--	Add new parts and Key U/V	Star	James	10/13/2020
PL182V-300-50-2-5	AC-HA016673	AC-HA016673-2	C	--	Add Protection Cap And KeyW/T	Star	JL	03/04/2021
PL182W-300-50-2-5	AC-HA016674	AC-HA016674-2						
PL182T-300-50-2-5	AC-HA016675	AC-HA016675-2						
PL182X-300-70-2-5	AC-HA011004	AC-HA011004-2						
PL182Y-300-70-2-5	AC-HA011005	AC-HA011005-2						
PL182U-300-70-2-5	AC-HA016676	AC-HA016676-2						
PL182V-300-70-2-5	AC-HA016677	AC-HA016677-2						
PL182W-300-70-2-5	AC-HA016678	AC-HA016678-2						
PL182T-300-70-2-5	AC-HA016679	AC-HA016679-2						
PL182X-301-50-2-5	AC-HA011010	AC-HA011010-2						
PL182Y-301-50-2-5	AC-HA011011	AC-HA011011-2						
PL182U-301-50-2-5	AC-HA016680	AC-HA016680-2						
PL182V-301-50-2-5	AC-HA016681	AC-HA016681-2						
PL182W-301-50-2-5	AC-HA016682	AC-HA016682-2						
PL182T-301-50-2-5	AC-HA016683	AC-HA016683-2						
PL182X-301-70-2-5	AC-HA011012	AC-HA011012-2						
PL182Y-301-70-2-5	AC-HA011013	AC-HA011013-2						
PL182U-301-70-2-5	AC-HA016684	AC-HA016684-2						
PL182V-301-70-2-5	AC-HA016685	AC-HA016685-2						
PL182W-301-70-2-5	AC-HA016686	AC-HA016686-2						
PL182T-301-70-2-5	AC-HA016687	AC-HA016687-2						



ITEM	DESCRIPTION	QTY	REMARK
13	PL300 G2 2 POS plug protection cap	1	Order P/N AC-CP001616
12	PL300 G2 Dust Cap for Plug	1	
11	PL300 G2 Lock Housing1	4	Different P/N are used according to different Cable sizes
10	PL300 G2 Lock Housing2	2	
9	PL300 G2 Metal Gasket	2	Different P/N are used according to different Cable sizes
8	PL300 G2 Tail Cap for straight plug	2	Different P/N are used according to different Cable sizes
7	PL300 G2 cable sealing for straight plug	2	Different P/N are used according to different Cable sizes
6	PL300 G2 Inner Copper Ring	2	Different P/N are used according to different Cable sizes
5	PL300 G2 Outer Copper Ring for Straight Plug	2	
4	PL300 G2 Coil Spring for Straight Plug	2	Different P/N are used according to different Cable sizes
3	PL300 G2 Terminal Assy	2	
2	PL300 G2 Insulation Sleeve Assy	2	
1	PL300 G2 Shell Plug Assy	1	Different P/N are used according to different Cable sizes
ITEM	DESCRIPTION	QTY	REMARK



Amphenol Technical Products International Asia.

第三角投影 THIRD ANGLE PROJECTION	页面 SHEET	幅面 SIZE	版次 REV.	比例 SCALE	PART NAME: PL300 G2 2POS Straight Plug	
	2 OF 2	A4	C	--	DWG NO: PL182X-30X-XX-2-5 CUST PART #	
签名 SIGNATURE	日期 DATE	UNLESS OTHERWISE SPECIFIED 1) All dimensions are in metric(mm). 2) Tolerances are as follows: 1.PL DEC ± 1.00 2.PL DEC ± 0.50 3.PL DEC ± 0.20				CUST REV.
制图 DRAWN	Star	03/04/2021				
审核 CHECKED						
批准 APPROVAL			Angles ±1°			