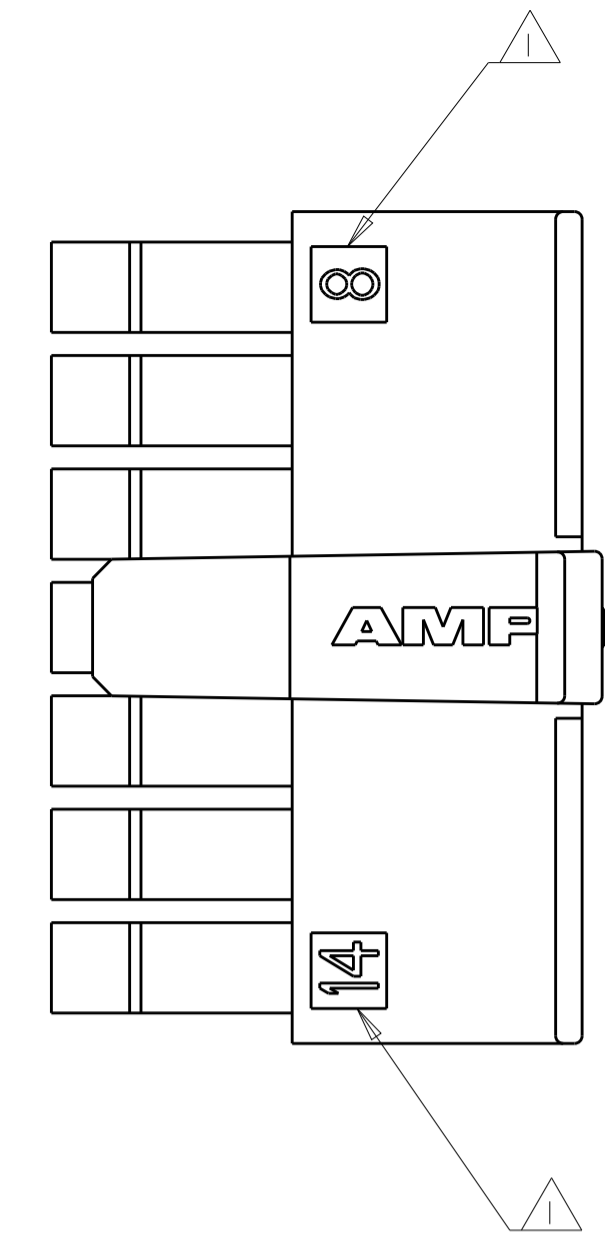
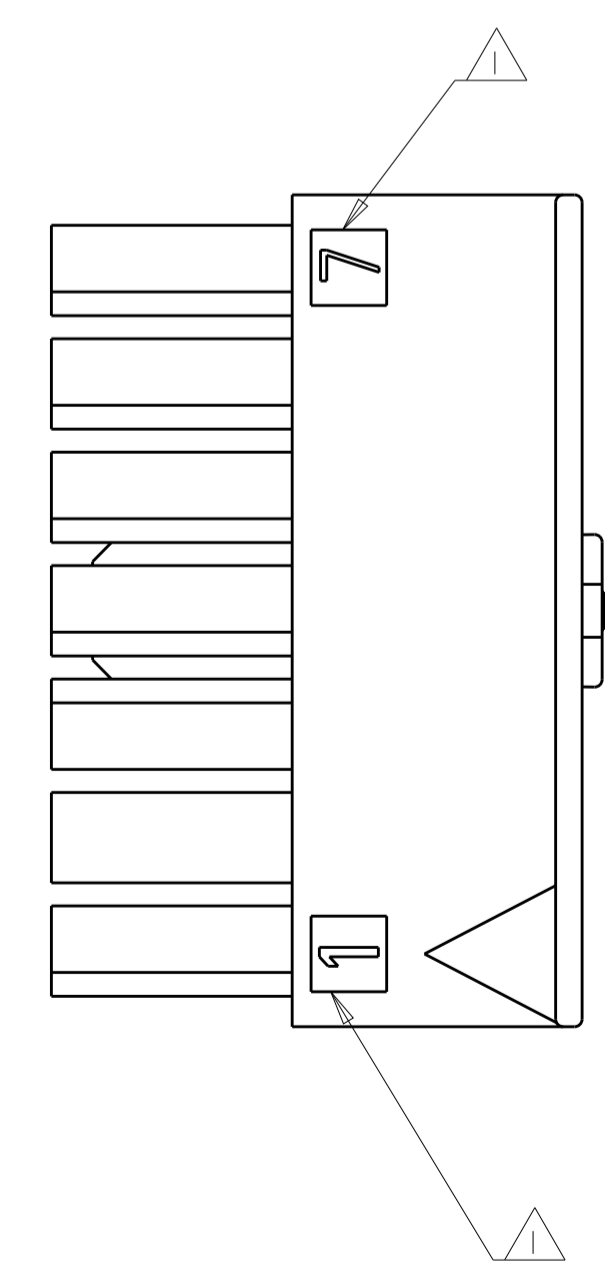
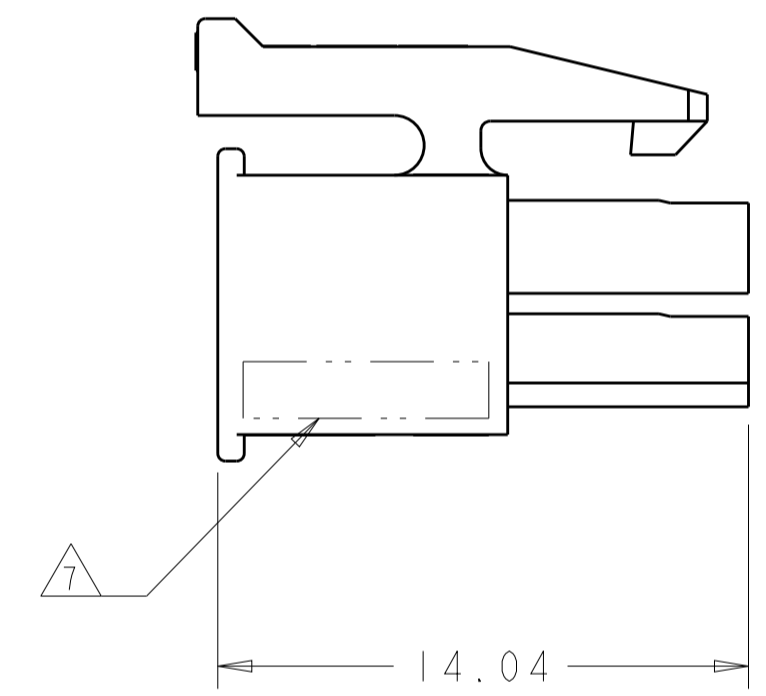
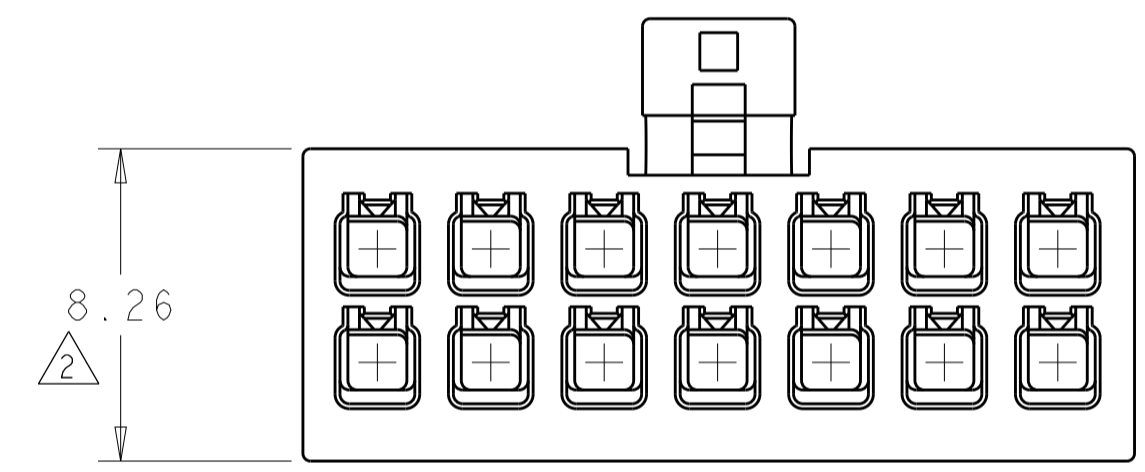
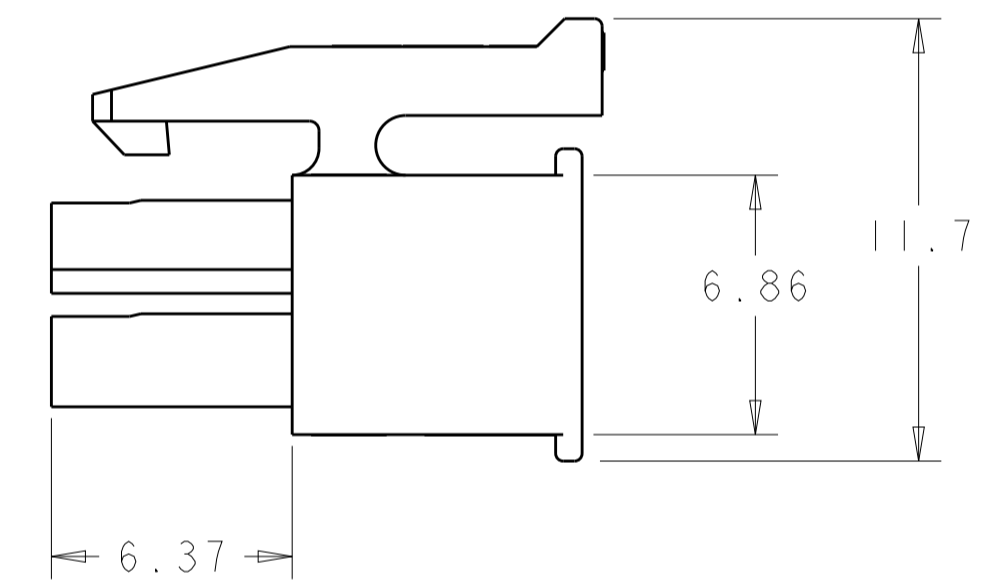
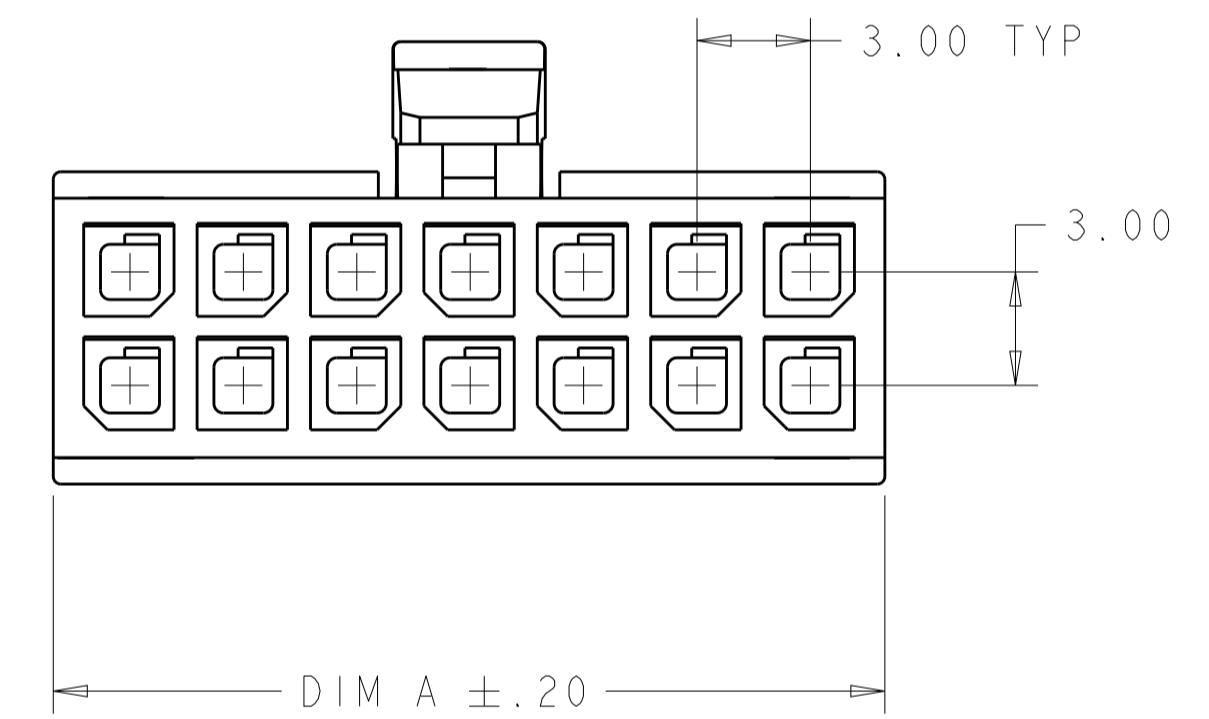


LOC	DIST	REVISIONS					
		P.	LTM	DESCRIPTION	DATE	DWN	APVD
CM	53	F4		REVISED PER ECO-19-018884	12DEC2019	WLS	DZ
		F5		REVISED PER ECN-20-100715	30NOV2020	WLS	VS



- ① CIRCUIT IDENTIFIER, LOCATED APPROXIMATELY AS SHOWN.
- ② DIMENSION ONLY 7.56 ON 2 POSITION.
- ③ MATERIAL PA66/6 UL94-V0.COLOR-BLACK
- ④ PRELIMINARY MATERIAL PA6, UL94-V0
- ⑤ MATERIAL PA66 UL94-V0, GW .COLOR-NATURAL
- ⑥ PRELIMINARY PART NOT RELEASED FOR PRODUCTION.
- ⑦ MATERIAL ID ">PA<" LOCATED IN APPROX AREA SHOWN, APPROX 0.01 HIGH.



REMARK	DIM A	NO. OF POS.	PART NUMBER
OBSOLETE	31.00	20	5-794617-0
	37.00	24	5-794617-4
	25.00	16	4-794617-6
	⑤ ⑥ 22.00	14	4-794617-4
	19.00	12	4-794617-2
UL-V0 ⑤	16.00	10	3-794617-0
GWEPT 750°C NO FLAME	13.00	8	3-794617-8
GWFI 850°C NO FLAME	10	6	3-794617-6
OBSOLETE	7	4	3-794617-4
⑤ ⑥	4	2	3-794617-2
OBSOLETE ④ ⑥	13.00	8	2-794617-8
③	37.00	24	2-794617-4
	34.00	22	2-794617-2
	31.00	20	2-794617-0
	28.00	18	1-794617-8
	25.00	16	1-794617-6
	22.00	14	1-794617-4
	19.00	12	1-794617-2
	16.00	10	1-794617-0
	13.00	8	794617-8
	10.00	6	794617-6
7.00	4	794617-4	
③ ②	4.00	2	794617-2

THIS DRAWING IS A CONTROLLED DOCUMENT.

DWN: K. WHITAKER 140CT1999
 CHK: K. COBLE 140CT1999
 APVD: K. COBLE 140CT1999

STE TE Connectivity

RECEPTACLE HOUSING, 2 TO 24 POSITION, DUAL ROW, MICRO MATE-N-LOK™

ITEM: 0 PLC ±.01, 1 PLC ±0.26, 2 PLC ±0.26, 3 PLC ±.01, 4 PLC ±.01, ANGLES ±.030

MATERIAL: ③ ④ ⑤

SIZE: A1 CAGE CODE: 00779 DRAWING NO: 794617

CUSTOMER DRAWING SCALE: 5:1 SHEET: 1 OF 1 REV: F5