

4

3

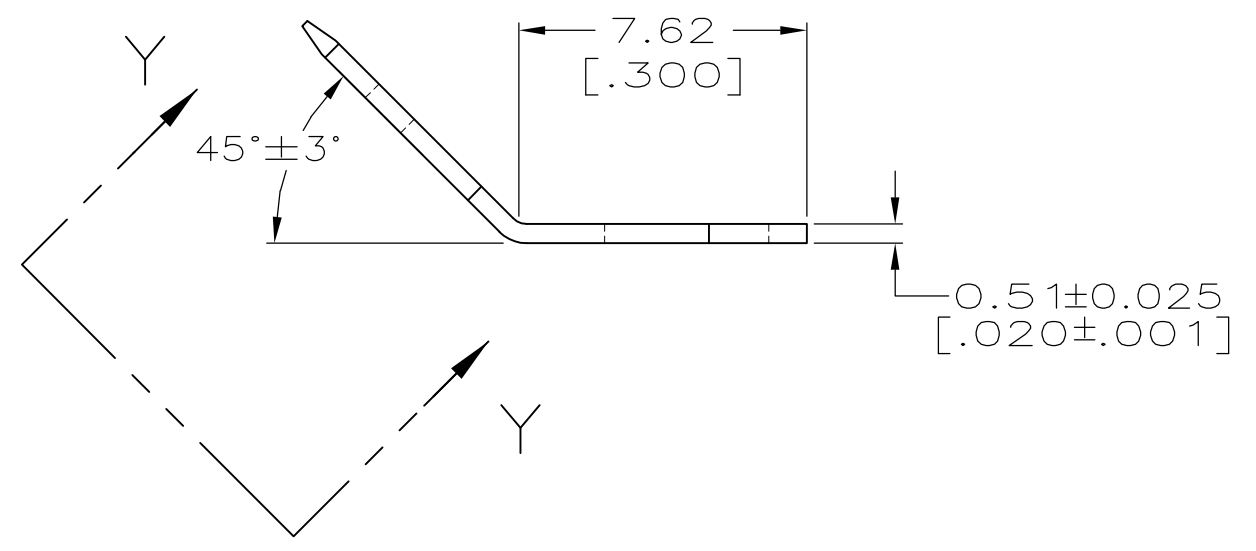
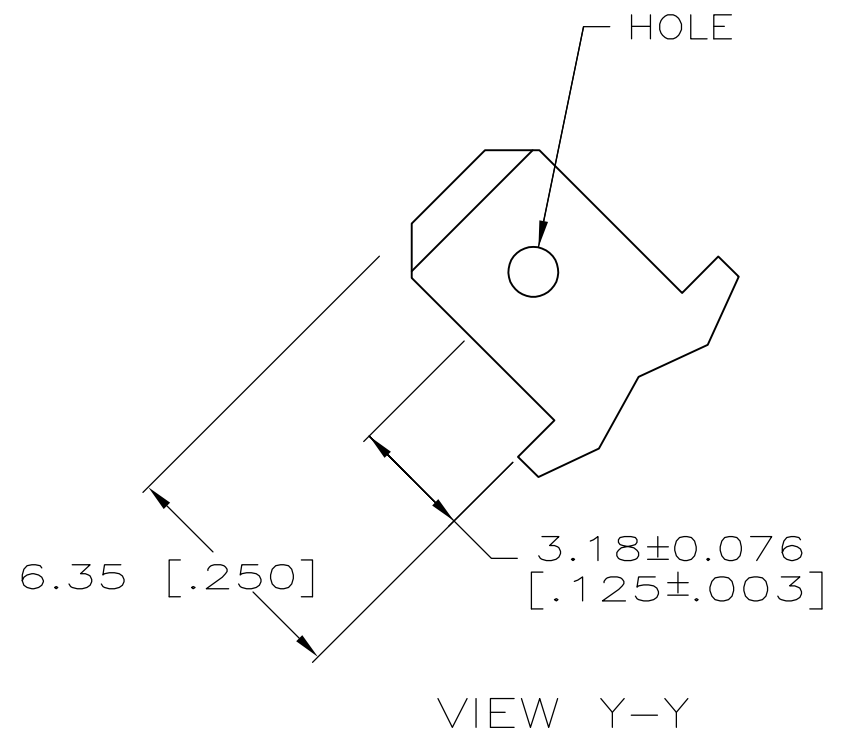
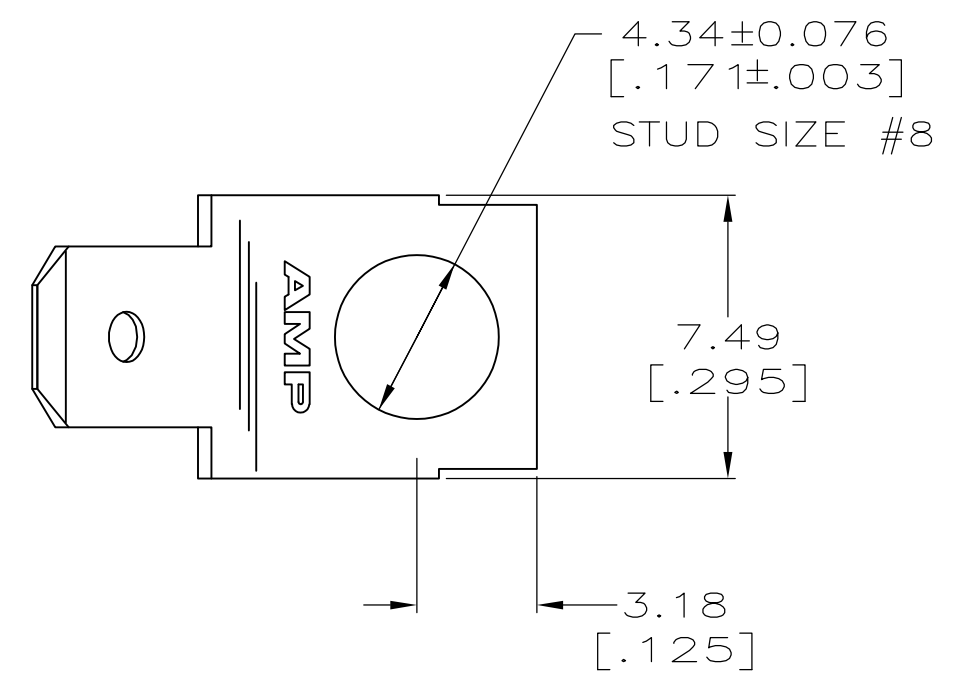
2

1


THIS DRAWING IS UNPUBLISHED. RELEASED FOR PUBLICATION
 © COPYRIGHT - By - ALL RIGHTS RESERVED.

LOC	DIST	REVISIONS			
P	LTR	DESCRIPTION	DATE	DWN	APVD
AF	50	E	REVISED PER ECR-13-011489	05DEC2013	KH PD

1 SUPPLIED IN LOOSE PIECE.



61664-1
 PART NO.

THIS DRAWING IS A CONTROLLED DOCUMENT.		DWN	JR RUTH	1/10/97	 TE Connectivity		
DIMENSIONS: mm [INCHES]		CHK	MS FEHER	1/10/97			
TOLERANCES UNLESS OTHERWISE SPECIFIED:		APVD	J HUZVAR	1/10/97	TAB, FASTON, 4.75 [.187] SERIES		
0 PLC ± - 1 PLC ± - 2 PLC ± 0.38 [.015] 3 PLC ± - 4 PLC ± - ANGLES ± -		PRODUCT SPEC		SIZE CAGE CODE DRAWING NO RESTRICTED TO A3 00779 C-61664 -			
MATERIAL		FINISH					WEIGHT - CUSTOMER DRAWING
BRASS		TIN		SCALE 5:1 SHEET 1 OF 1 REV E			