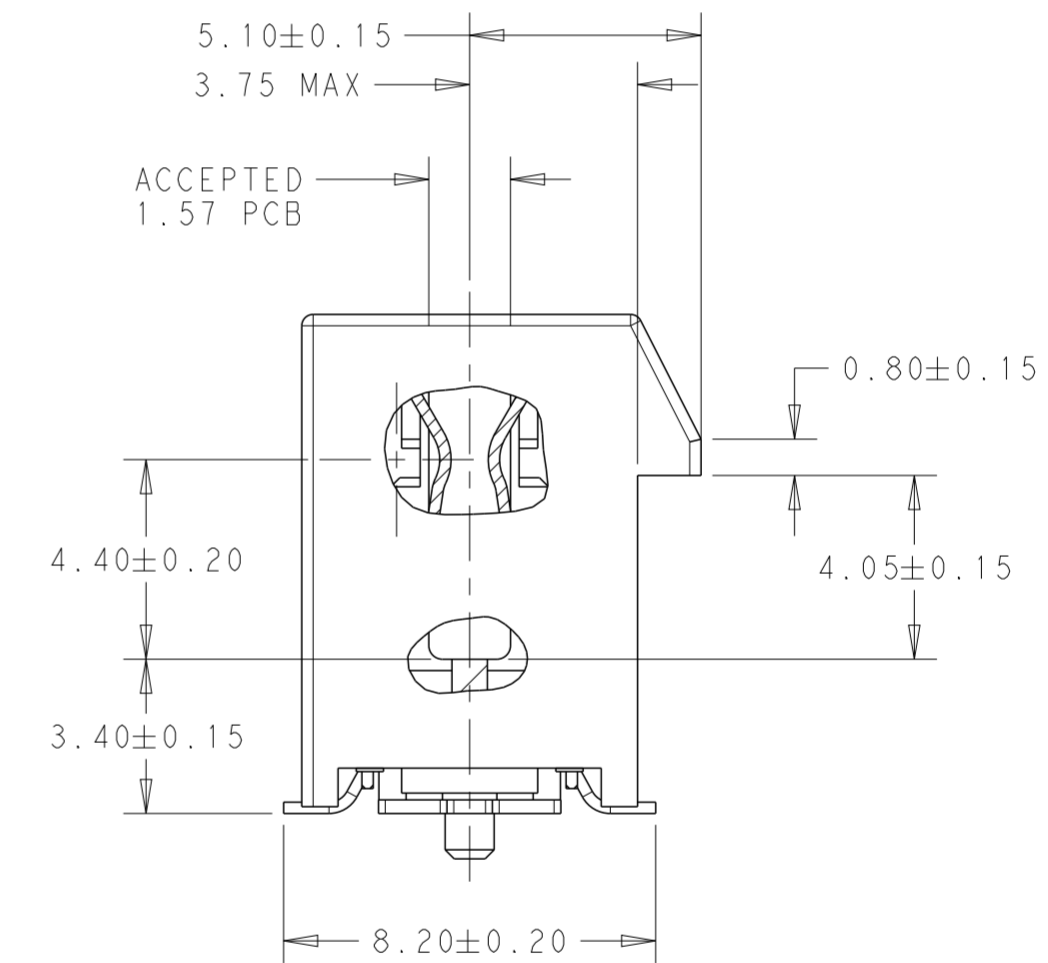
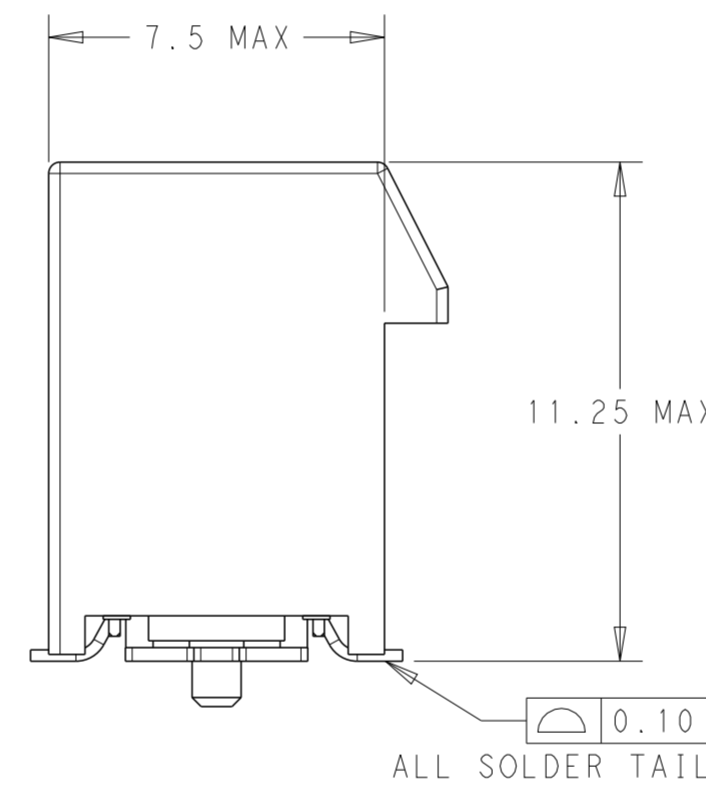
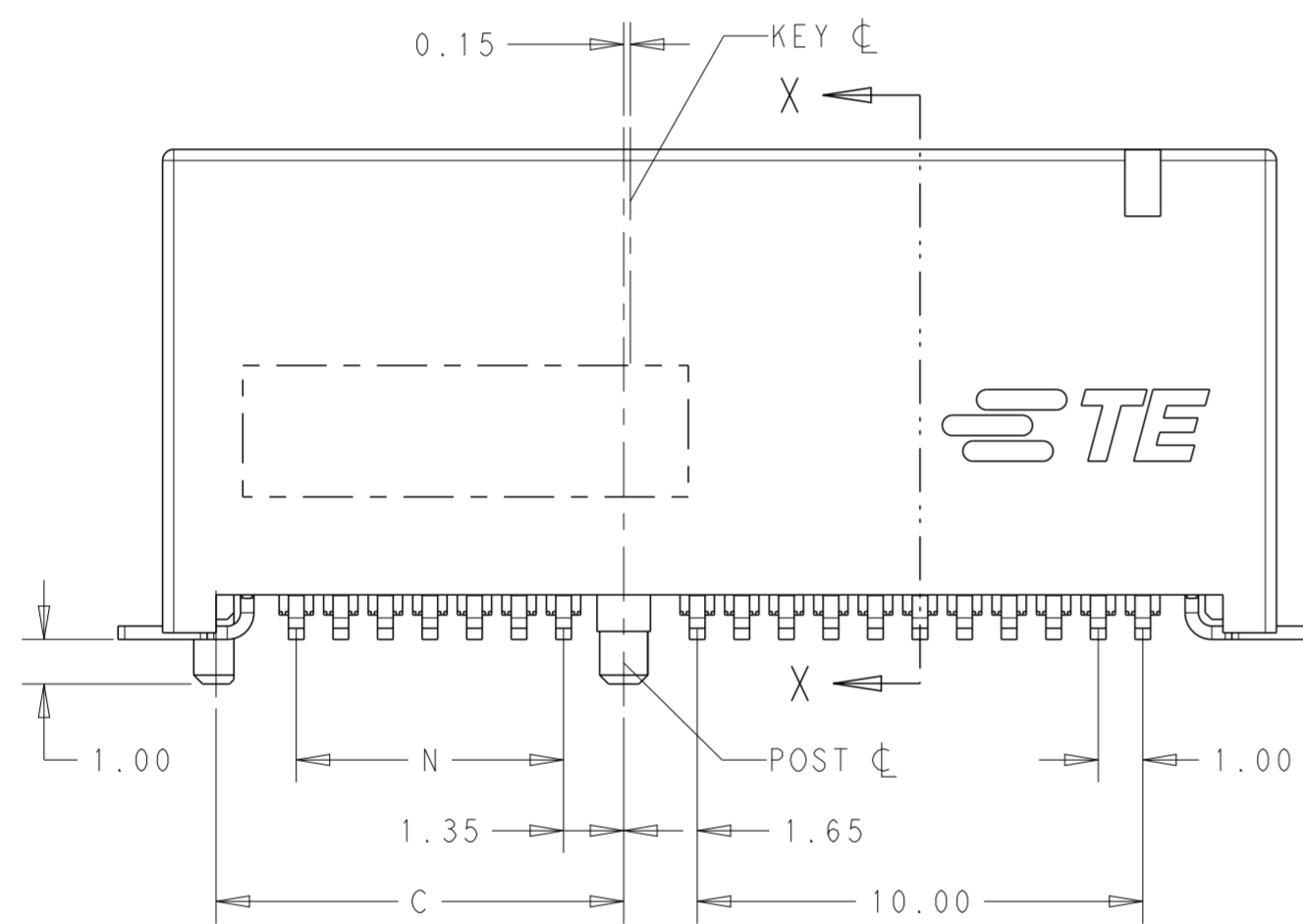
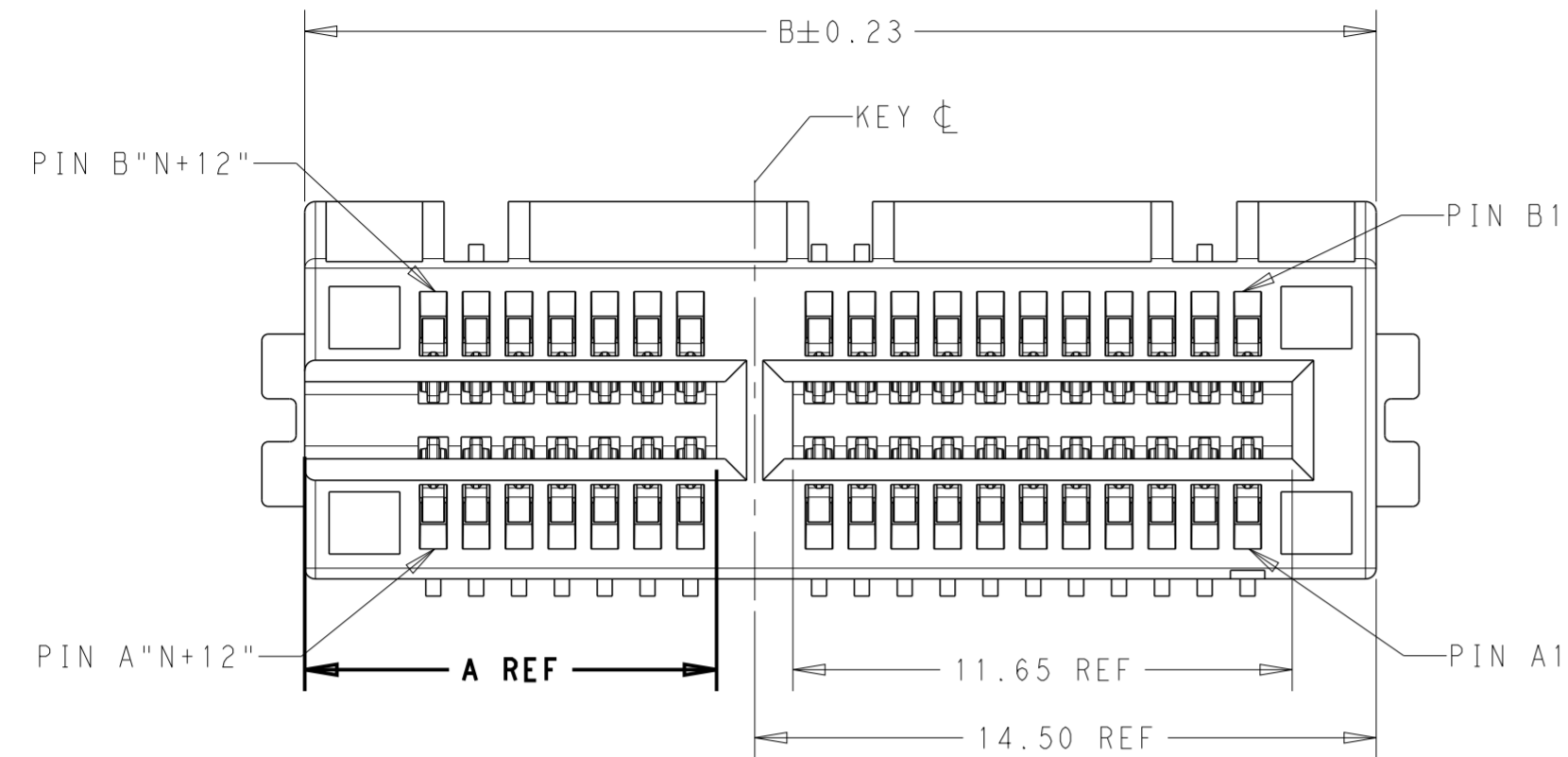


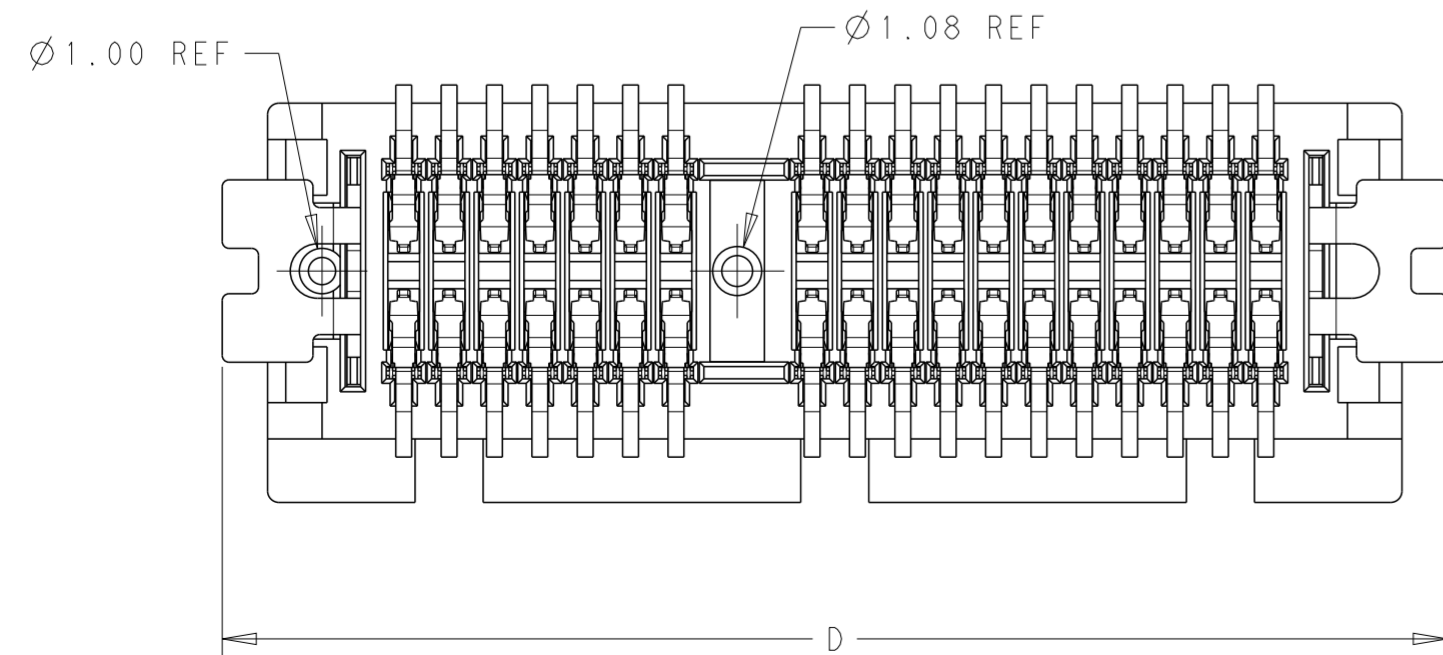
P	LTR	DESCRIPTION	DATE	DWN	APVD
C2		ECR-23-168041	23FEB2023	TL	HL

NOTES:

- 1 MATERIAL:
HOUSING: LCP UL94V-0; BLACK
CONTACT: COPPER ALLOY
HOLD DOWN: BRASS
- 2 FINISH:
(SEE TABLE)um GOLD PLATING ON CONTACT AREA.
2.54um MATTE-TIN PLATING ON SOLDER TAIL AREA.
1.27um NICKEL UNDERPLATING OVERALL.



SECTION X-X
SCALE 6:1




THIS DRAWING IS A CONTROLLED DOCUMENT.		DWN IONY LI 13FEB2023		
		CHK HOPE LU 13FEB2023		
DIMENSIONS: mm		APVD HOPE LU 13FEB2023	NAME PCI EXPRESS GEN4 CARD EDGE CONNECTOR ONE SIDE OPEN	
TOLERANCES UNLESS OTHERWISE SPECIFIED:		PRODUCT SPEC	SIZE A200779	
0 PLC ±		APPLICATION SPEC	CAGE CODE C-2349820	
1 PLC ±0.3		WEIGHT	DRAWING NO -	
2 PLC ±0.20		CUSTOMER DRAWING	RESTRICTED TO	
3 PLC ±0.050		SCALE 3:1	SHEET 1 OF 6	
4 PLC ±			REV C2	
ANGLES ±				
FINISH				

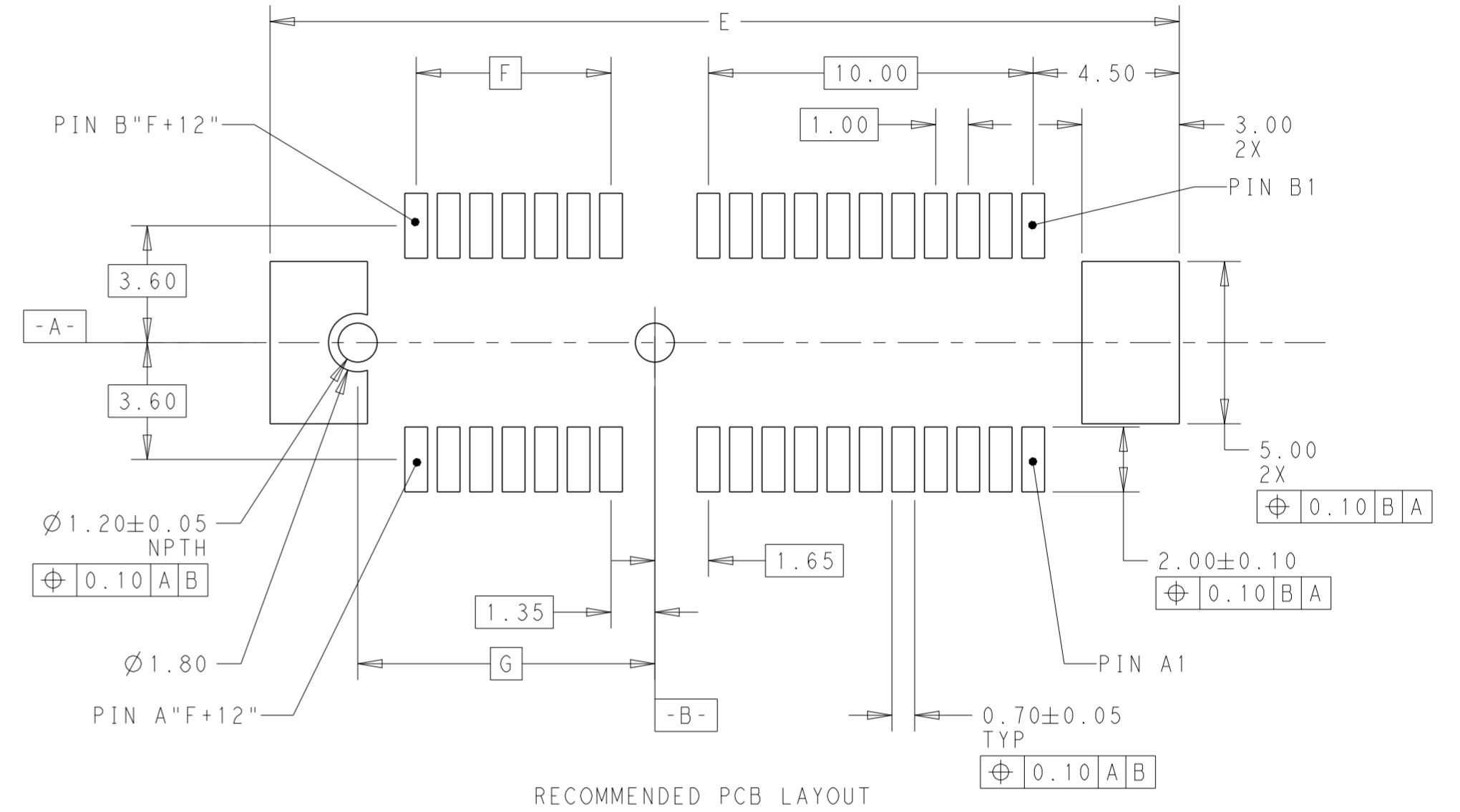
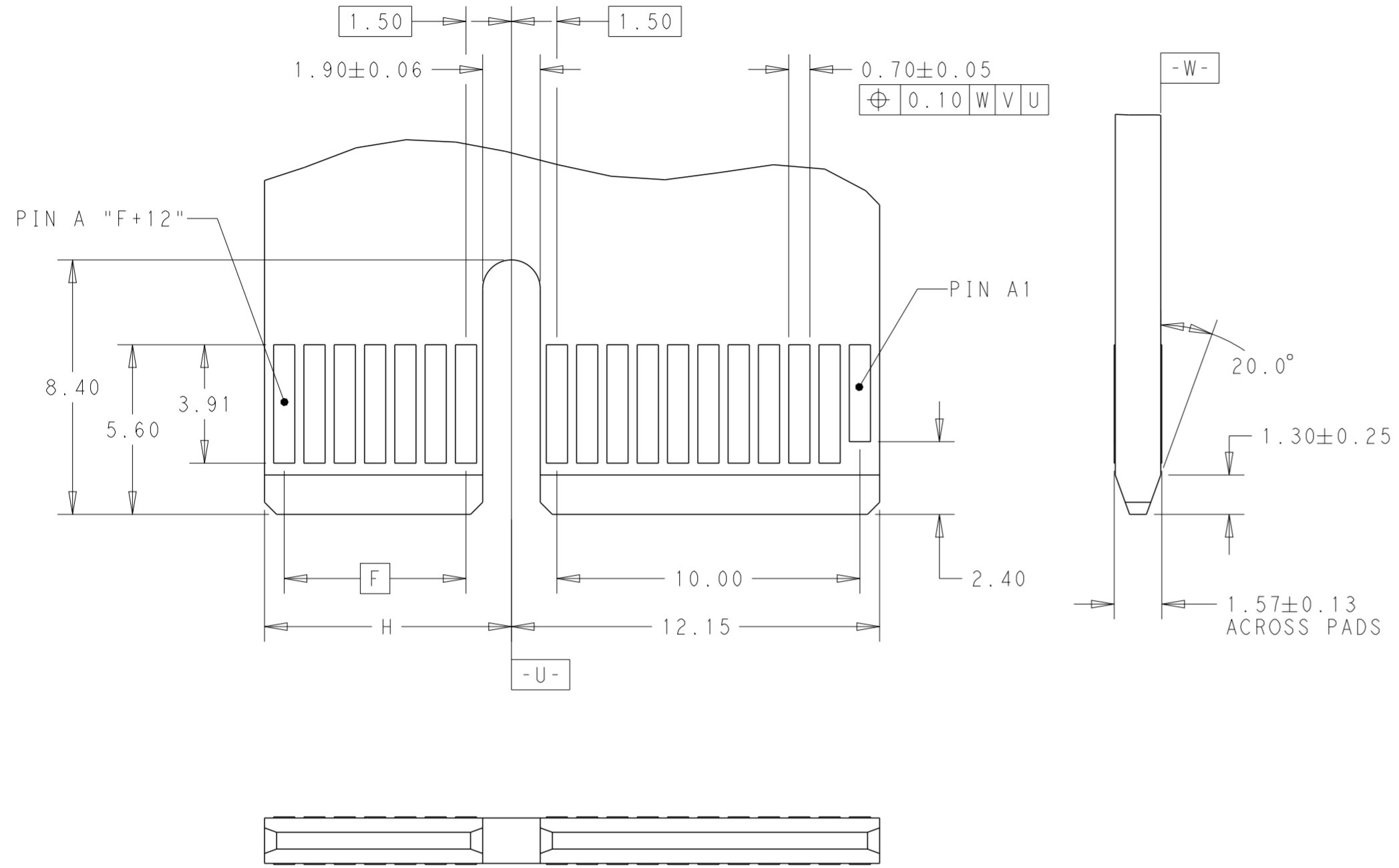
REVISIONS

P	LTR	DESCRIPTION	DATE	DWN	APVD
-		SEE SHEET 1	-	-	-

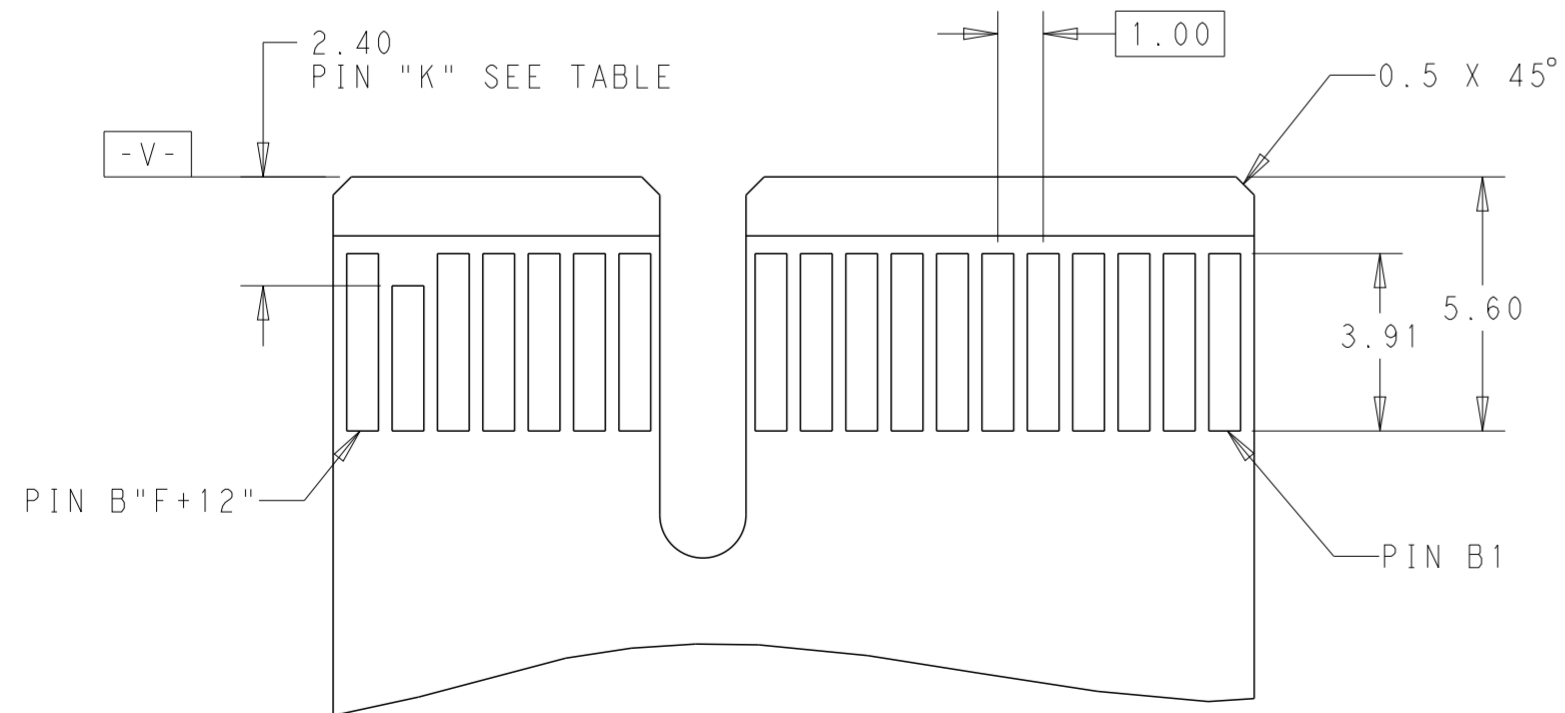
PACKAGE 4	108-60121	30u"	53.5	8.0	28	58	37	40.15	56	40.61	98	7-2349820-7
PACKAGE 5		30u"	53.5		28	58	37	40.15	56	40.61	98	7-2349820-3
PACKAGE 1		30u"	86.5		44.5	91	70	73.15	89	73.61	164	5-2349820-8
PACKAGE 2		30u"	53.5		28	58	37	40.15	56	40.61	98	5-2349820-7
PACKAGE 3		30u"	36.5		19.5	41	20	23.15	39	23.61	64	5-2349820-6
TBD	30u"	22.5	12.5		27	6	9.15	25	9.61	36	5-2349820-5	
PACKAGE 1	30u"	10.0	44.5		91	70	73.15	89	73.61	164	5-2349820-4	
PACKAGE 2	30u"	10.0	28		58	37	40.15	56	40.61	98	5-2349820-3	
PACKAGE 3	30u"	10.0	19.5		41	20	23.15	39	23.61	64	5-2349820-2	
TBD	30u"	10.0	12.5		27	6	9.15	25	9.61	36	5-2349820-1	
PACKAGE 1	108-60121-1	15u"	86.5		44.5	91	70	73.15	89	73.61	164	4-2349820-8
PACKAGE 2		15u"	53.5		28	58	37	40.15	56	40.61	98	4-2349820-7
PACKAGE 3		15u"	36.5		19.5	41	20	23.15	39	23.61	64	4-2349820-6
TBD		15u"	22.5		12.5	27	6	9.15	25	9.61	36	4-2349820-5
PACKAGE 1		15u"	10.0		44.5	91	70	73.15	89	73.61	164	4-2349820-4
PACKAGE 2		15u"	10.0	28	58	37	40.15	56	40.61	98	4-2349820-3	
PACKAGE 3		15u"	10.0	19.5	41	20	23.15	39	23.61	64	4-2349820-2	
TBD		15u"	10.0	12.5	27	6	9.15	25	9.61	36	4-2349820-1	
PACKAGE 1		G/F	86.5	44.5	91	70	73.15	89	73.61	164	3-2349820-8	
PACKAGE 2		G/F	53.5	28	58	37	40.15	56	40.61	98	3-2349820-7	
PACKAGE 3		G/F	36.5	19.5	41	20	23.15	39	23.61	64	3-2349820-6	
TBD		G/F	22.5	12.5	27	6	9.15	25	9.61	36	3-2349820-5	
PACKAGE 1		G/F	10.0	44.5	91	70	73.15	89	73.61	164	3-2349820-4	
PACKAGE 2		G/F	10.0	28	58	37	40.15	56	40.61	98	3-2349820-3	
PACKAGE 3		G/F	10.0	19.5	41	20	23.15	39	23.61	64	3-2349820-2	
TBD	G/F	10.0	12.5	27	6	9.15	25	9.61	36	3-2349820-1		
PACKAGE 1	108-60121	30u"	NA	44.5	91	70	73.15	89	73.61	164	2-2349820-4	
PACKAGE 2		30u"	NA	28	58	37	40.15	56	40.61	98	2-2349820-3	
PACKAGE 3		30u"	NA	19.5	41	20	23.15	39	23.61	64	2-2349820-2	
TBD		30u"	NA	12.5	27	6	9.15	25	9.61	36	2-2349820-1	
PACKAGE 1	108-60121-1	15u"	NA	44.5	91	70	73.15	89	73.61	164	6-2349820-4	
PACKAGE 2		15u"	NA	28	58	37	40.15	56	40.61	98	6-2349820-3	
PACKAGE 3		15u"	NA	19.5	41	20	23.15	39	23.61	64	6-2349820-2	
TBD		15u"	NA	12.5	27	6	9.15	25	9.61	36	6-2349820-1	
PACKAGE 1		G/F	NA	44.5	91	70	73.15	89	73.61	164	2349820-4	
PACKAGE 2		G/F	NA	28	58	37	40.15	56	40.61	98	2349820-3	
PACKAGE 3		G/F	NA	19.5	41	20	23.15	39	23.61	64	2349820-2	
TBD		G/F	NA	12.5	27	6	9.15	25	9.61	36	2349820-1	
PACKAGE SPEC	PRODUCT SPEC	GOLD PLATING	W	V	J	D	N	C	B	A	POS.	PART NUMBER
			MYLAR SIZE (PAGE 4)									

THIS DRAWING IS A CONTROLLED DOCUMENT.		DWN TONY LI 13FEB2023	 TE Connectivity	
		CHK HOPE LU 13FEB2023		
DIMENSIONS: mm		APVD HOPE LU 13FEB2023	NAME PCI EXPRESS GEN4 CARD EDGE CONNECTOR ONE SIDE OPEN	
TOLERANCES UNLESS OTHERWISE SPECIFIED: 0 PLC ± 1 PLC ±0.3 2 PLC ±0.20 3 PLC ±0.050 4 PLC ± ANGLES ± FINISH		PRODUCT SPEC -	RESTRICTED TO -	
MATERIAL -		APPLICATION SPEC -	SIZE A2	CAGE CODE 00779
		WEIGHT -	DRAWING NO C-2349820	SCALE 3:1
		CUSTOMER DRAWING	SHEET 2	OF 6
			REV C2	

P	LTR	DESCRIPTION	DATE	DWN	APVD
-	-	SEE SHEET 1	-	-	-



RECOMMENDED PCB LAYOUT



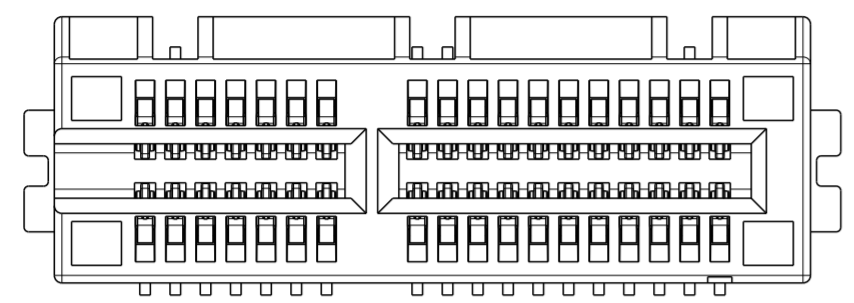
ADD-IN CARD EDGE-FINGER DIMENSION

POS.	DIM. E	DIM. F	DIM. G	DIM. H	"K"
164	92.00	70	73.15	72.15	A1, B17, B31, B48, B81
98	59.00	37	40.15	39.15	A1, B17, B31, B48
64	42.00	20	23.15	22.15	A1, B17, B31
36	28.00	6	9.15	8.15	A1, B17

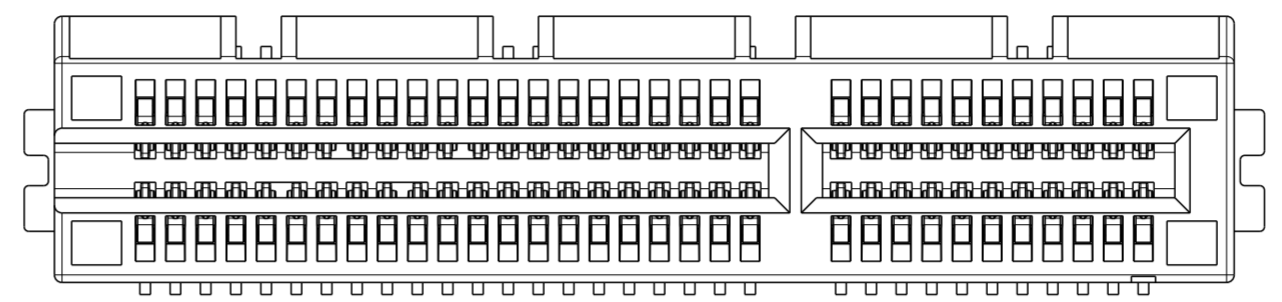
THIS DRAWING IS A CONTROLLED DOCUMENT.

DWN	13FEB2023	TE Connectivity
CHK	13FEB2023	
APVD	13FEB2023	
NAME	PCIE EXPRESS GEN4 CARD EDGE CONNECTOR ONE SIDE OPEN	
DIMENSIONS:	TOLERANCES UNLESS OTHERWISE SPECIFIED:	PRODUCT SPEC
mm	0 PLC ±	APPLICATION SPEC
	1 PLC ±0.3	WEIGHT
	2 PLC ±0.20	SCALE
	3 PLC ±0.050	SIZE
	4 PLC ±	CAGE CODE
	ANGLES ±	DRAWING NO
	FINISH	RESTRICTED TO
MATERIAL		A200779
		C-2349820
		CUSTOMER DRAWING
		SCALE 3:1
		SHEET 3 OF 6
		REV C2

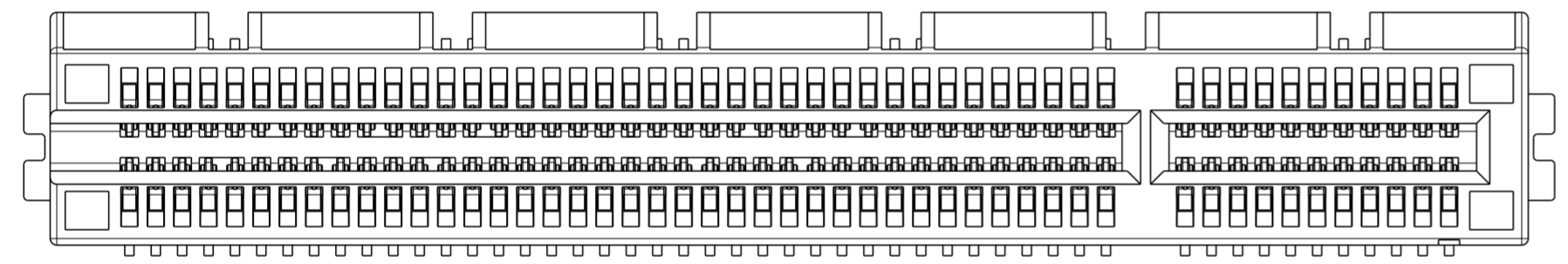
REVISIONS				
P	LTR	DESCRIPTION	DATE	APVD
-	-	SEE SHEET 1	-	-



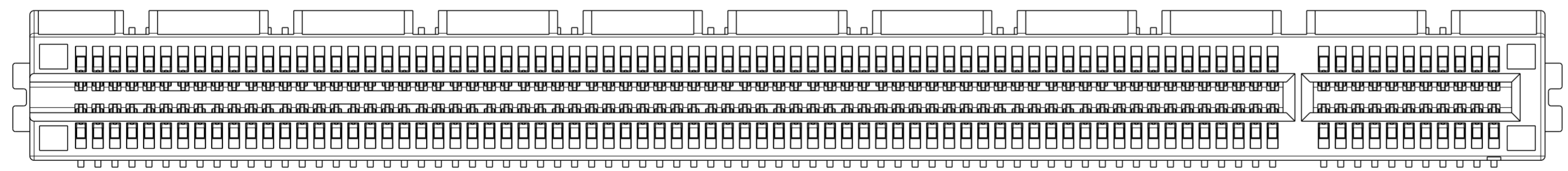
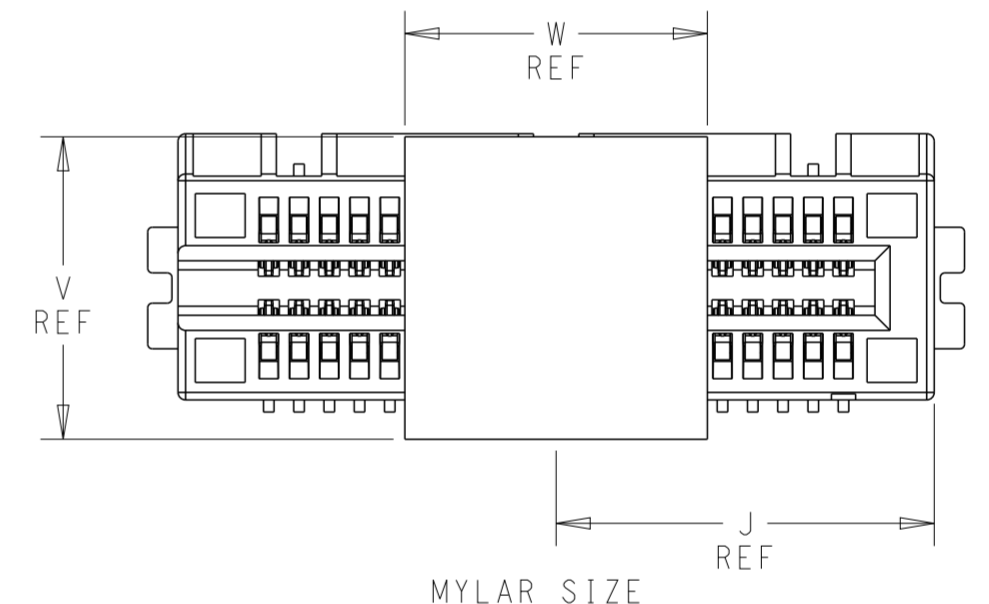
36POS AS SHOWN



64POS AS SHOWN



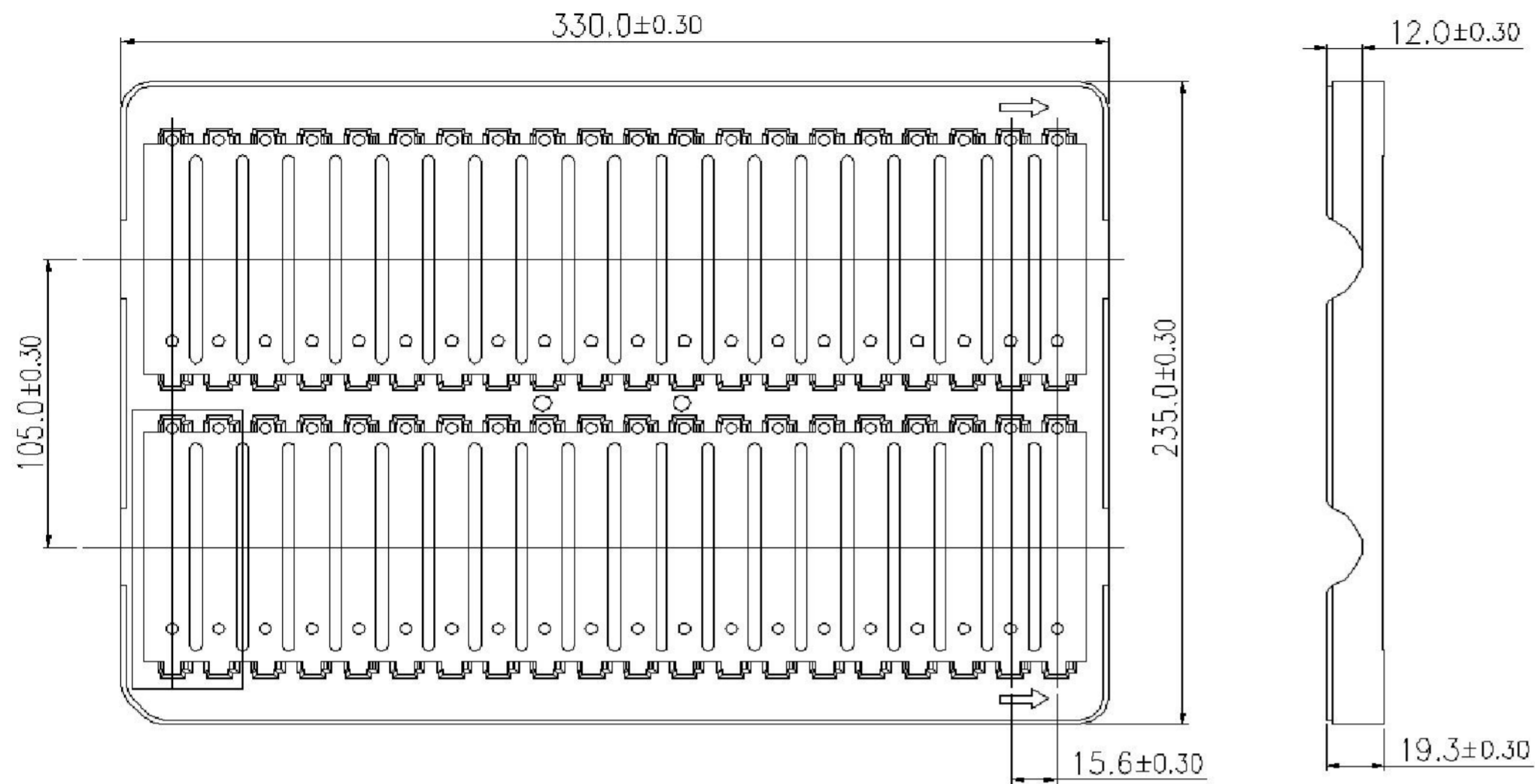
98POS AS SHOWN



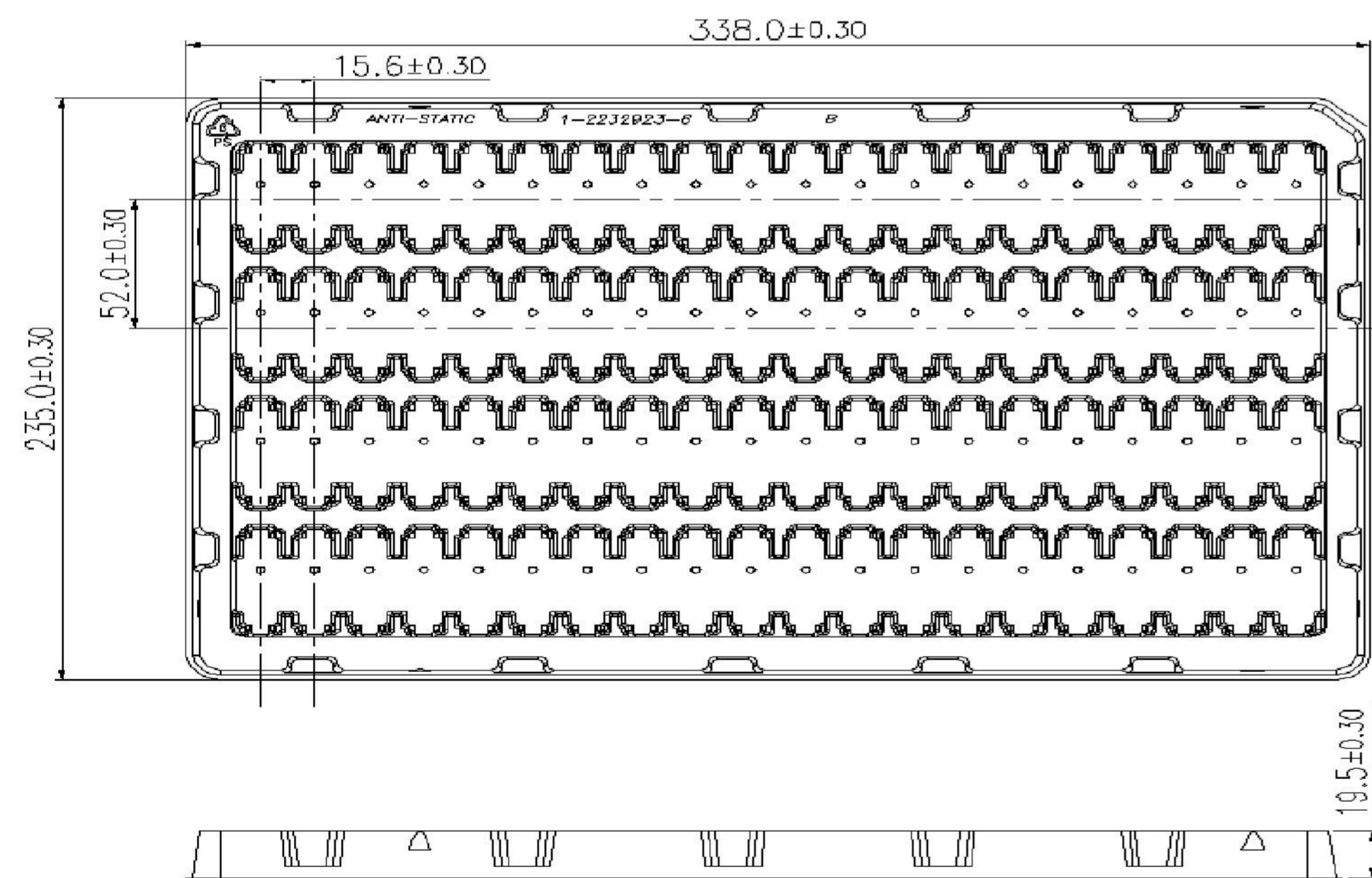
164POS AS SHOWN

THIS DRAWING IS A CONTROLLED DOCUMENT.		DWN IONY LI 13FEB2023		
		CHK HOPE LU 13FEB2023		
		APVD HOPE LU 13FEB2023	NAME PCI EXPRESS GEN4 CARD EDGE CONNECTOR ONE SIDE OPEN	
DIMENSIONS: mm		TOLERANCES UNLESS OTHERWISE SPECIFIED:		SIZE A2
		0 PLC ±- 1 PLC ±0.3 2 PLC ±0.20 3 PLC ±0.050 4 PLC ±- ANGLES ±- FINISH ±-		CAGE CODE 00779
MATERIAL -		PRODUCT SPEC -		DRAWING NO C-2349820
		APPLICATION SPEC -		RESTRICTED TO -
		WEIGHT -		SCALE 3:1
		CUSTOMER DRAWING		SHEET 4 OF 6
				REV C2

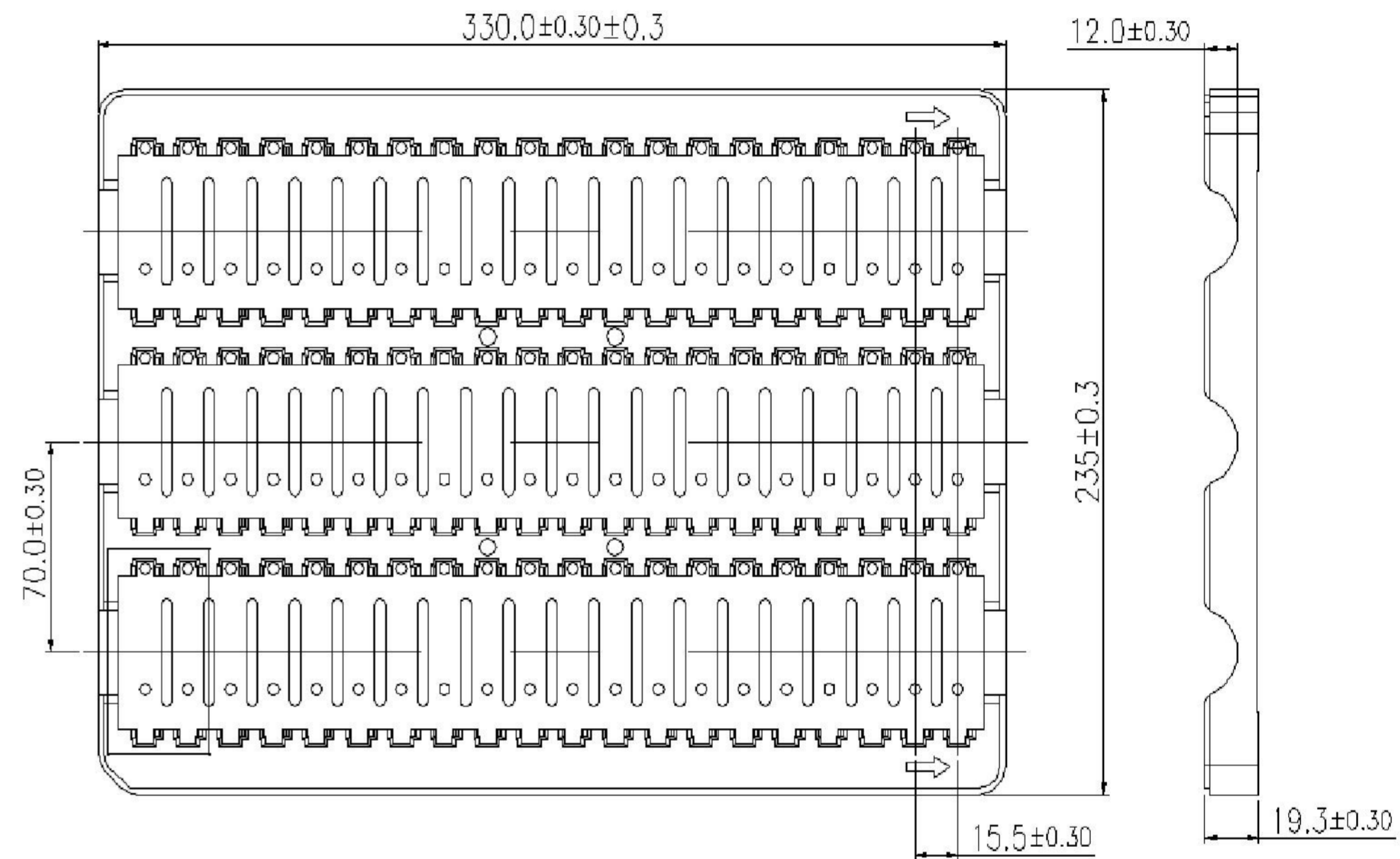
P	LTR	DESCRIPTION	DATE	DWN	APVD
-	-	SEE SHEET 1	-	-	-



PACKAGE 1



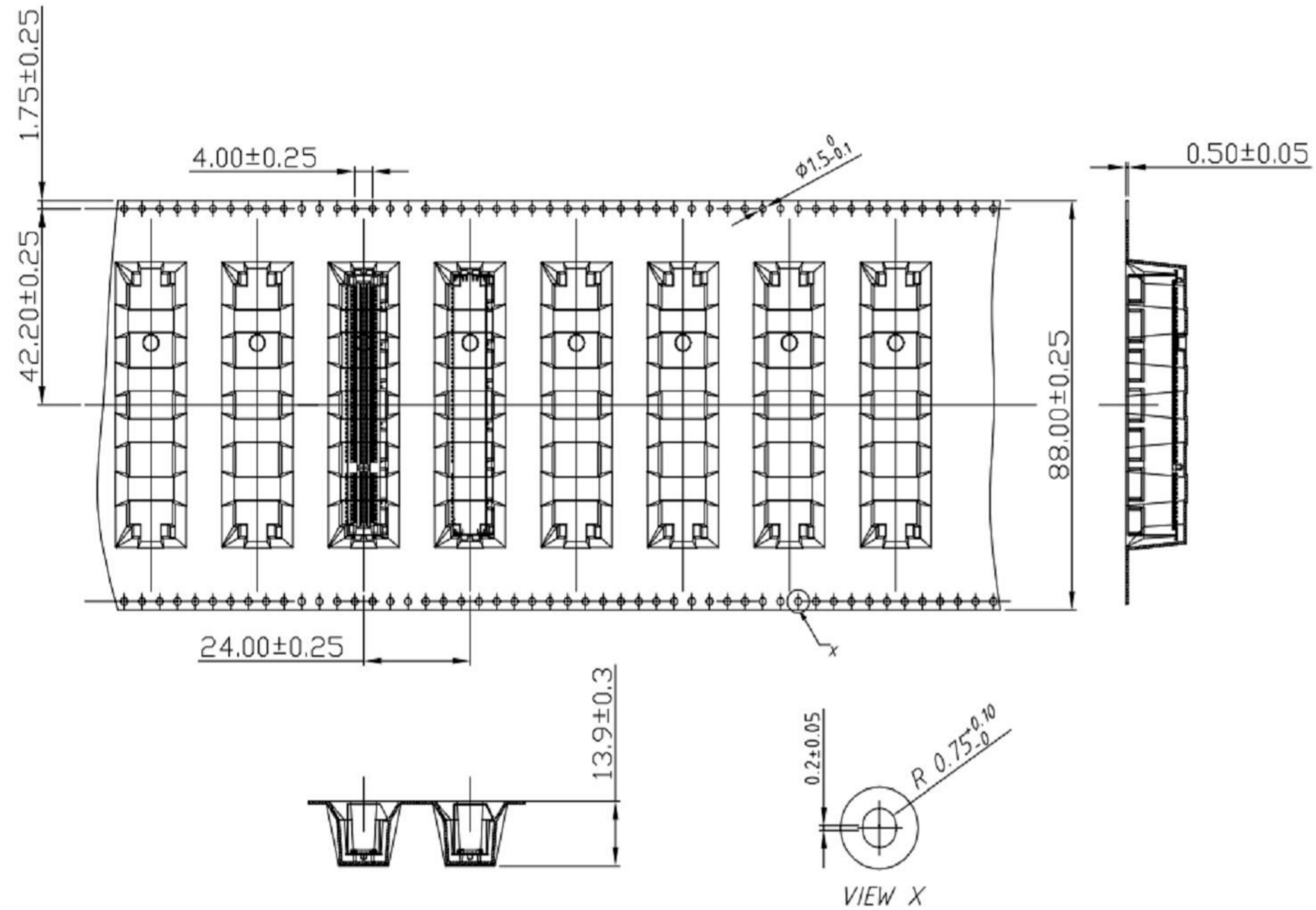
PACKAGE 3



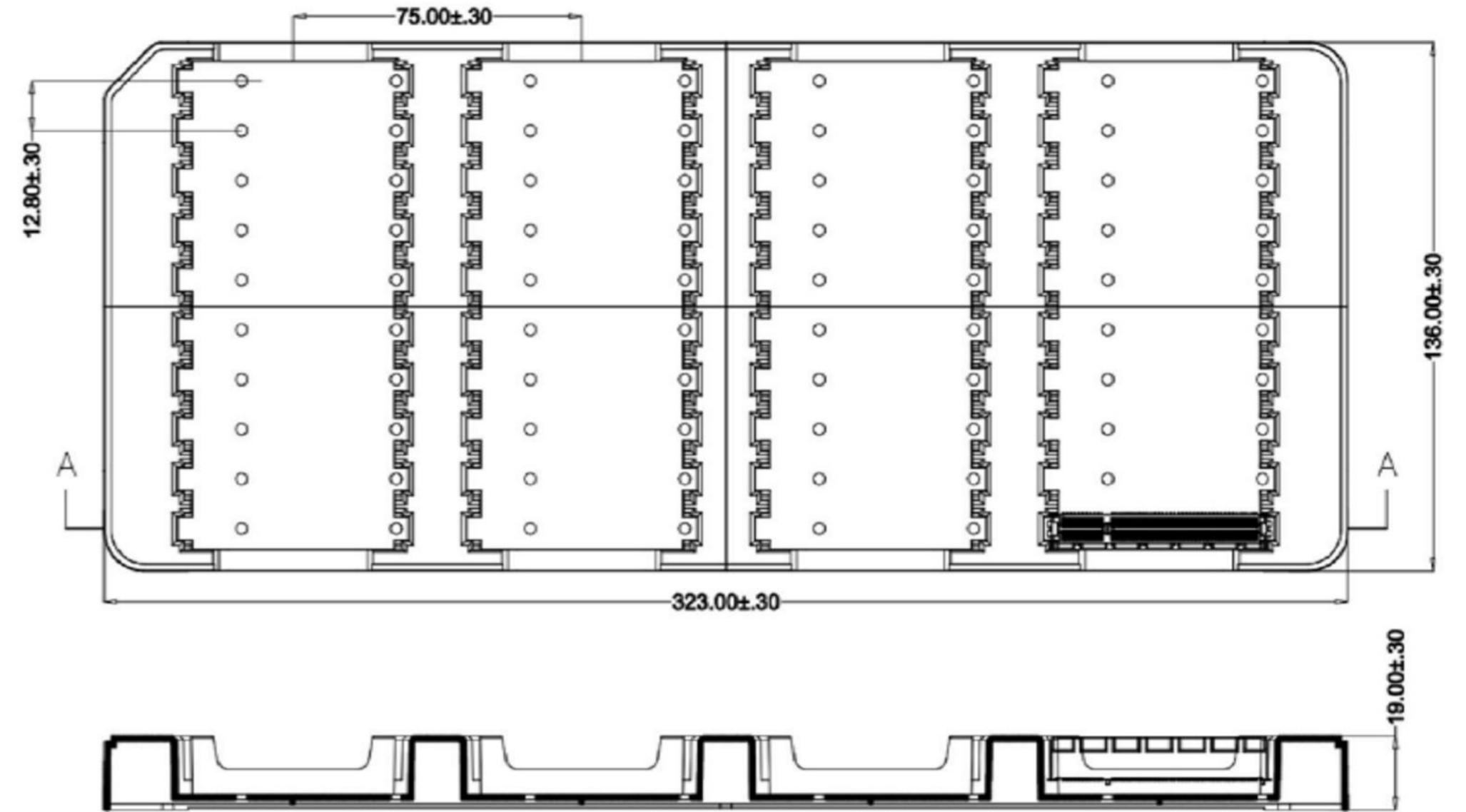
PACKAGE 2

THIS DRAWING IS A CONTROLLED DOCUMENT.		DWN TONY LI 13FEB2023		
DIMENSIONS: mm		CHK HOPE LU 13FEB2023		
TOLERANCES UNLESS OTHERWISE SPECIFIED:		APVD HOPE LU 13FEB2023	NAME PCI EXPRESS GEN4 CARD EDGE CONNECTOR ONE SIDE OPEN	
0 PLC ±		PRODUCT SPEC	SIZE	
1 PLC ±0.3		APPLICATION SPEC	CAGE CODE	
2 PLC ±0.20		WEIGHT	DRAWING NO	
3 PLC ±0.050		CUSTOMER DRAWING	A200779 C-2349820	
4 PLC ±		SCALE 3:1	SHEET 5 OF 6	
ANGLES ±		REV C2		
FINISH		RESTRICTED TO		

P	LTR	DESCRIPTION	DATE	DWN	APVD
-	-	SEE SHEET 1	-	-	-




PACKAGE 4



SECTION A-A

PACKAGE 5

THIS DRAWING IS A CONTROLLED DOCUMENT.		DWN TONY LI 13FEB2023	 TE Connectivity	
DIMENSIONS: mm		CHK HOPE LU 13FEB2023		
TOLERANCES UNLESS OTHERWISE SPECIFIED:		APVD HOPE LU 13FEB2023	NAME PCIE EXPRESS GEN4 CARD EDGE CONNECTOR ONE SIDE OPEN	
0 PLC ± 1 PLC ±0.3 2 PLC ±0.20 3 PLC ±0.050 4 PLC ± ANGLES ± FINISH ±		PRODUCT SPEC -	SIZE A200779	
MATERIAL -		APPLICATION SPEC -	DRAWING NO C-2349820	RESTRICTED TO -
-		WEIGHT -	SCALE 3:1	SHEET 6 OF 6
-		CUSTOMER DRAWING	REV C2	