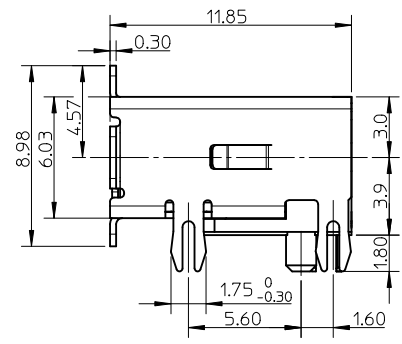
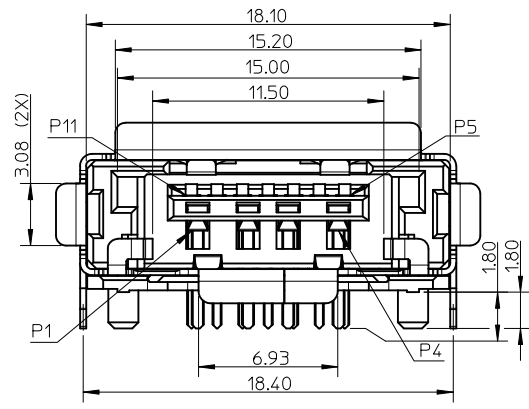
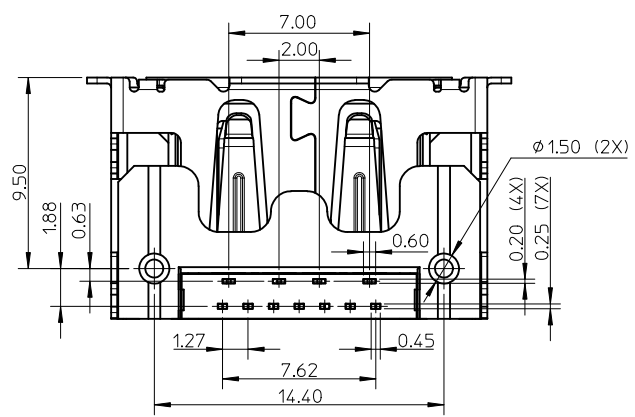
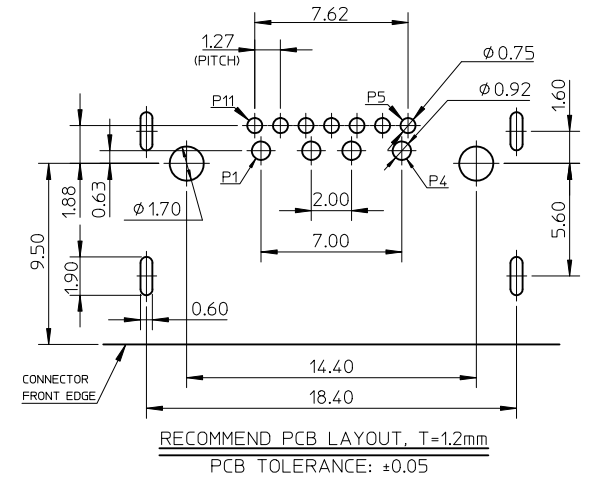


- NOTES:
- MATERIAL:
    - HOUSING: HIGH TEMPERATURE THERMOPLASTIC, 30% GLASS FILLED, BLACK, UL94V-0.
    - TAIL GUIDER: HIGH TEMPERATURE THERMOPLASTIC, 30% GLASS FILLED, BLACK, UL94V-0.
    - TERMINAL-1: COPPER ALLOY.
    - TERMINAL-2: COPPER ALLOY.
    - METAL SHELL: STAINLESS STEEL.
  - TERMINAL PLATING:
    - CONTACT AREA: GOLD PLATING. DETAIL SEE TABLE,
    - SOLDER AREA: 2.0 MICROMETRE MINIMUM MATTE TIN PLATING,
    - UNDER PLATING: 1.27 MICROMETRE MINIMUM NICKEL PLATING.
  - METAL SHELL PLATING: SOLDERABLE NICKEL PLATING.
  - DATE CODE: YYMMDD, 'YY' REPRESENTS YEAR, 'MM' REPRESENTS MONTH, 'DD' REPRESENTS DATE.
  - PRODUCT SPECIFICATION: PS-105125-001.
  - PACKAGE SPECIFICATION: RPK-105125-001.
  - PRODUCT COMPLIANT TO RoHS DIRECTIVE 2002/95/EC AND ELV DIRECTIVE 2000/53/EC.



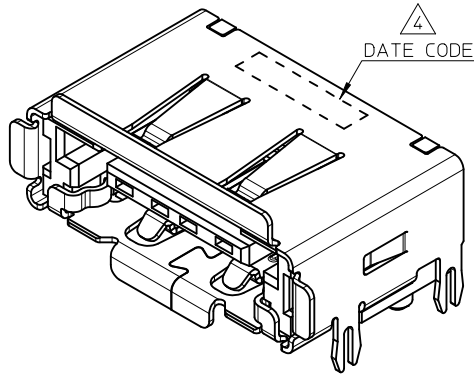
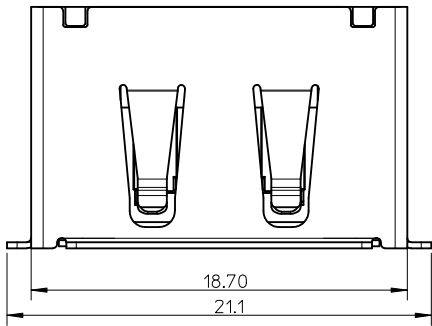
PIN ASSIGNMENT

USB		ESATA	
NAME	TYPE	NAME	TYPE
P1	VBUS	P5	GND
P2	D-	P6	A+
P3	D+	P7	A-
P4	GND	P8	GND
		P9	B-
		P10	B+
		P11	GND



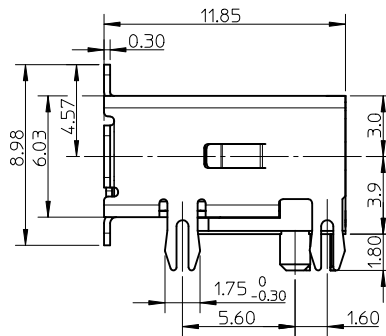
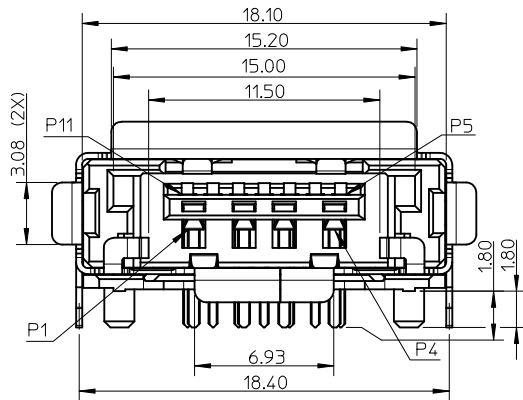
105125-4002	0.76 MICROMETRE MIN. GOLD PLATING
105125-4001	0.38 MICROMETRE MIN. GOLD PLATING
105125-4000	GOLD FLASH
P/N	CONTACT AREA PLATING

REMOVE MYLAR EC NO: SH2012-0253 DRWN:XQZHANG 2012/02/06 CH'KD:XQZHANG 2012/02/06 APPR:AYIN 2012/02/08	QUALITY SYMBOLS $F_{\Delta} = 0$ $F_{\square} = 0$ $F_{\nabla} = 0$	GENERAL TOLERANCES (UNLESS SPECIFIED)		DIMENSION STYLE <b>MM ONLY</b>		SCALE <b>4:1</b>	DESIGN UNITS <b>METRIC</b>	THIRD ANGLE PROJECTION	
		4 PLACES ± --- ± ---	mm INCH	DRAWN BY XQZHANG	DATE 2011/05/26	TITLE <b>COMBO ESATA AND USB CONNECTOR TOP MOUNT TYPE</b>			
		3 PLACES ± --- ± ---		CHECKED BY XJSONG	DATE 2011/05/26	MOLEX INCORPORATED			
		2 PLACES ± 0.25 ± ---		APPROVED BY XJSONG	DATE 2011/07/18	MATERIAL NO. SEE TABLE	DOCUMENT NO. SD-105125-400	SHEET NO. 1 OF 1	
DRAFT WHERE APPLICABLE MUST REMAIN WITHIN DIMENSIONS		ANGULAR ± 3 °		THIS DRAWING CONTAINS INFORMATION THAT IS PROPRIETARY TO MOLEX INCORPORATED AND SHOULD NOT BE USED WITHOUT WRITTEN PERMISSION					



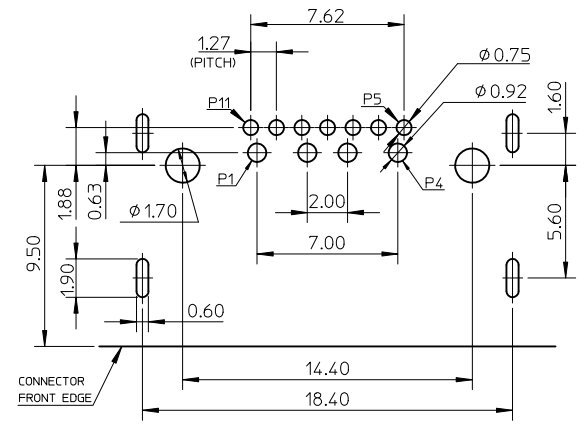
NOTES:

- MATERIAL:
  - HOUSING: HIGH TEMPERATURE THERMOPLASTIC, 30% GLASS FILLED, BLACK, UL94V-0.
  - TAIL GUIDER: HIGH TEMPERATURE THERMOPLASTIC, 30% GLASS FILLED, BLACK, UL94V-0.
  - TERMINAL-1: COPPER ALLOY.
  - TERMINAL-2: COPPER ALLOY.
  - METAL SHELL: STAINLESS STEEL.
- TERMINAL PLATING:
  - CONTACT AREA: GOLD PLATING. DETAIL SEE TABLE,
  - SOLDER AREA: 2.0 MICROMETRE MINIMUM MATTE TIN PLATING,
  - UNDER PLATING: 1.27 MICROMETRE MINIMUM NICKEL PLATING.
- METAL SHELL PLATING: SOLDERABLE NICKEL PLATING.
- DATE CODE: YYMMDD, 'YY' REPRESENTS YEAR, 'MM' REPRESENTS MONTH, 'DD' REPRESENTS DATE.
- PRODUCT SPECIFICATION: PS-105125-001.
- PACKAGE SPECIFICATION: RPK-105125-001.
- PRODUCT COMPLIANT TO RoHS DIRECTIVE 2002/95/EC AND ELV DIRECTIVE 2000/53/EC.

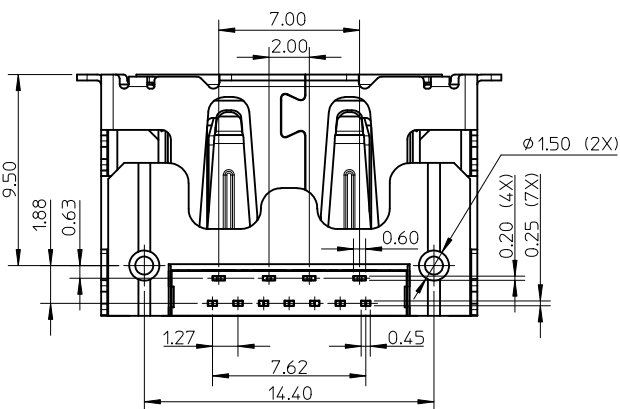


PIN ASSIGNMENT

USB		ESATA	
NAME	TYPE	NAME	TYPE
P1	VBUS	P5	GND
P2	D-	P6	A+
P3	D+	P7	A-
P4	GND	P8	GND
		P9	B-
		P10	B+
		P11	GND



RECOMMEND PCB LAYOUT, T=1.2mm  
PCB TOLERANCE: ±0.05



105125-4002	0.76 MICROMETRE MIN. GOLD PLATING
105125-4001	0.38 MICROMETRE MIN. GOLD PLATING
105125-4000	GOLD FLASH
P/N	CONTACT AREA PLATING

REMOVE MYLAR EC NO: SH2012-0253 DRWN:XQZHANG 2012/02/06 CH'KD:XQZHANG 2012/02/06 APPR:AYIN 2012/02/08	QUALITY SYMBOLS $F_{A'}=0$ $F_{C'}=0$ $F_{P'}=0$	GENERAL TOLERANCES (UNLESS SPECIFIED)		DIMENSION STYLE <b>MM ONLY</b>		SCALE <b>4:1</b>	DESIGN UNITS <b>METRIC</b>	THIRD ANGLE PROJECTION		
		4 PLACES ± --- ± ---	3 PLACES ± --- ± ---	2 PLACES ± 0.25 ± ---	1 PLACE ± 0.25 ± ---	DRAWN BY XQZHANG	DATE 2011/05/26	TITLE <b>COMBO ESATA AND USB CONNECTOR TOP MOUNT TYPE</b>		
		ANGULAR ± 3 °				CHECKED BY XJSONG	DATE 2011/05/26	MOLEX INCORPORATED		
		DRAFT WHERE APPLICABLE MUST REMAIN WITHIN DIMENSIONS				APPROVED BY XJSONG	DATE 2011/07/18	MATERIAL NO. SEE TABLE	DOCUMENT NO. SD-105125-400	SHEET NO. 1 OF 1