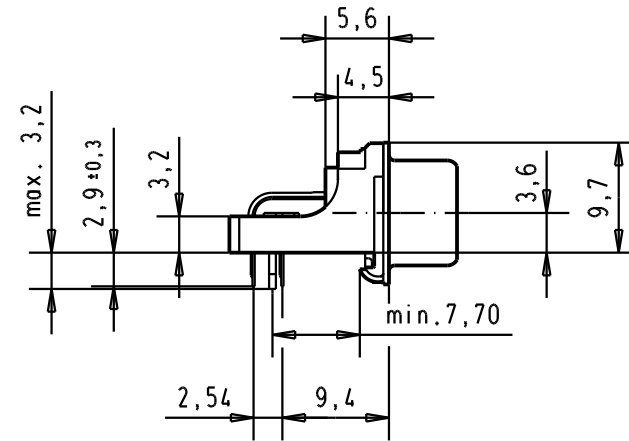
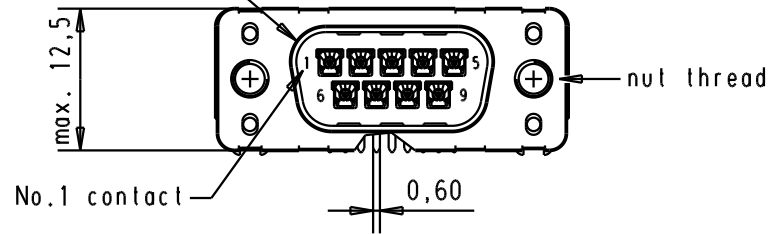
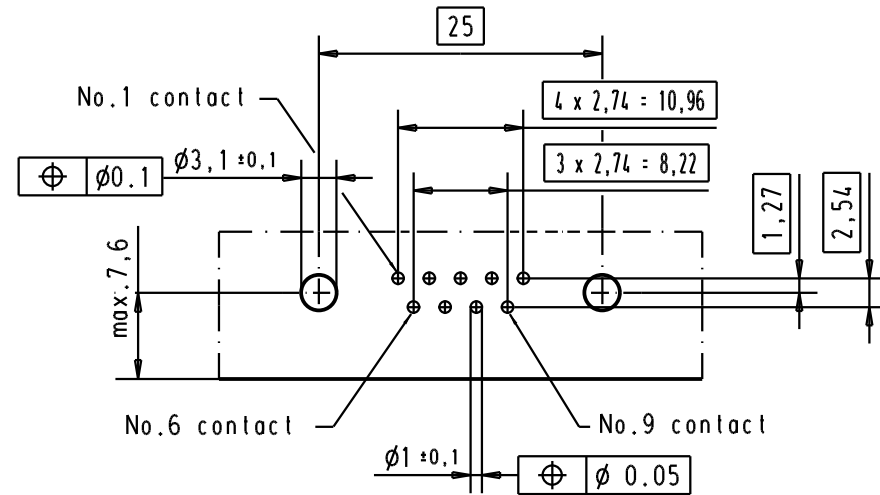
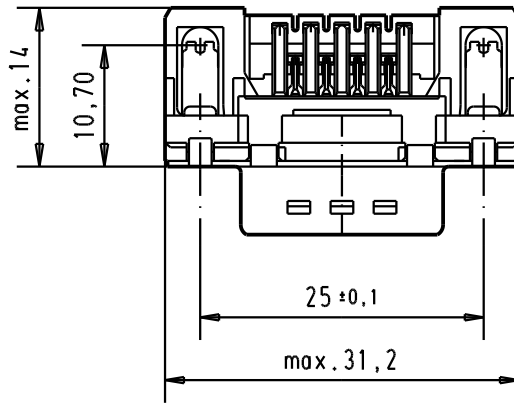


5 4 3 2 1

Mating face according to : MIL-C-24308 / DIN 41652 / CECC 75301-802





PCB layout hole component side



Connector retention and assembling forces on the PCB = 25 / 80 newtons

A

Part number	Nut thread	Performance level	Mod.	Dat.	Name	Dat.	Name	 All Dim. in mm Orig. Size DIN A 4	D-Sub, male, low profil angle, 09 poles, with solder pin, nut and grounding board lock.	Maßstab/ Scale 1.5:1	
09 65 162 3815	M3	1				Dat.	Name				
09 65 162 6815	M3	2				Detail.	18/dec/00 ALSPACE				
09 65 162 7815	M3	3	31892	22/04/04	JH	Insp.					
09 65 162 3816	4-40 UNC	1	31084	04/09/02	YT	Stand.					
09 65 162 6816	4-40 UNC	2	29689	03/07/01	AA						
09 65 162 7816	4-40 UNC	3	27960	18/dec/00	ALSPACE						
Part number Nut thread Performance level Mod. Dat. Name						HARTING EURL F-95972 Paris				TB 0965162x81x Sub.	Blatt/ Page 2