

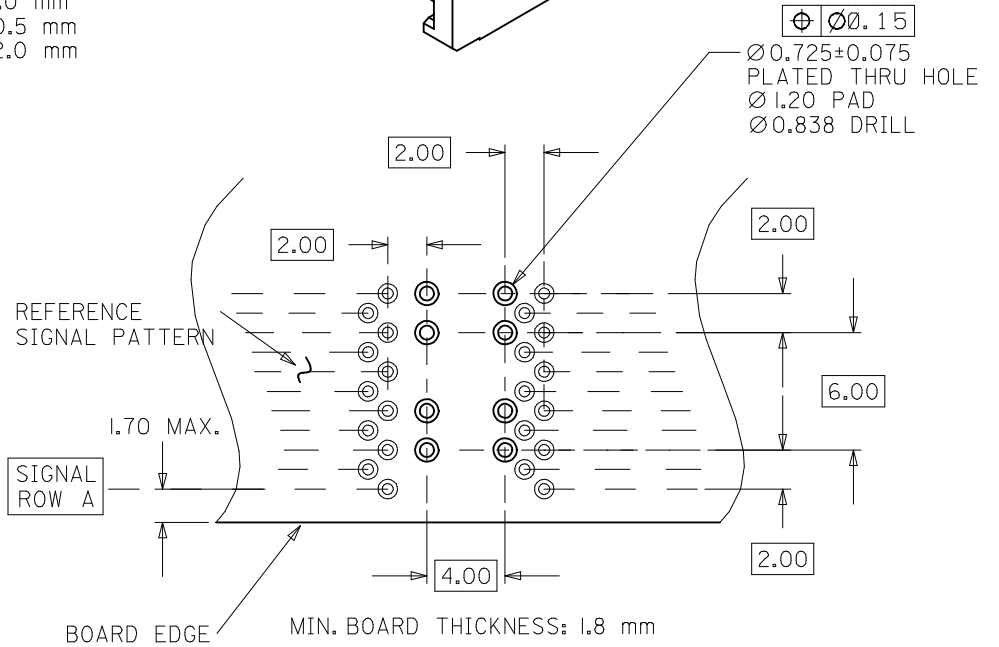
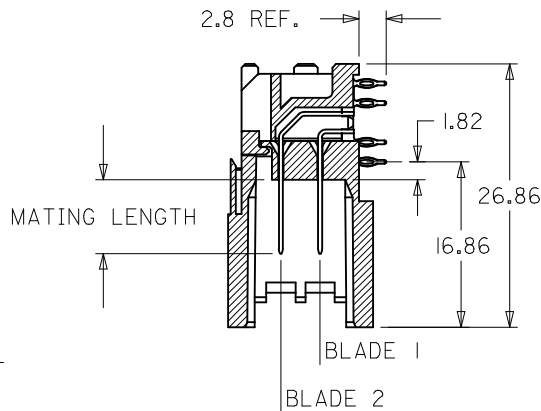
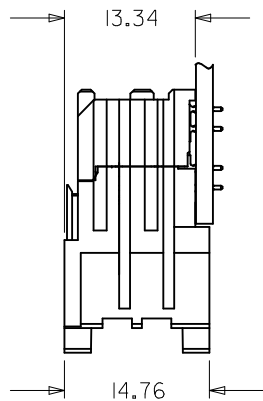
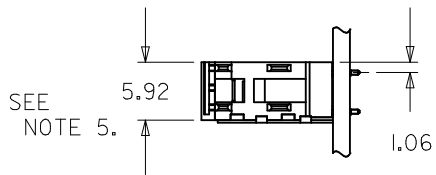
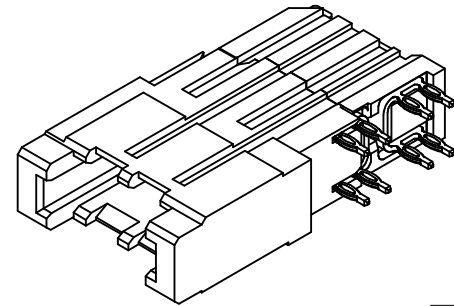
LEAD FREE
PLATING

MATERIAL NUMBER ASSIGNMENT

74026 - 6 * * 0 SEE NOTE 2. & 3.

BLADE 1 MATING LENGTH	BLADE 2 MATING LENGTH
--------------------------	--------------------------

- | | |
|-------------|-------------|
| 1 = 7.5 mm | 1 = 7.5 mm |
| 2 = 9.0 mm | 2 = 9.0 mm |
| 3 = 10.5 mm | 3 = 10.5 mm |
| 4 = 12.0 mm | 4 = 12.0 mm |
| 6 = 7.5 mm | 6 = 7.5 mm |
| 7 = 9.0 mm | 7 = 9.0 mm |
| 8 = 10.5 mm | 8 = 10.5 mm |
| 9 = 12.0 mm | 9 = 12.0 mm |



NOTES:

- MATERIALS: HOUSING : LIQUID CRYSTAL POLYMER (LCP)
GLASS-FILLED, UL94V-0, BLACK.
TERMINALS: COPPER ALLOY
- FINISH: SELECTIVE GOLD (Au) 0.76 MICROMETERS MINIMUM
IN CONTACT AREA, SELECTIVE MATTE TIN (Sn) IN TAIL AREA,
NICKEL (Ni) UNDERPLATE OVERALL.
(WHEN * = 1, 2, 3, OR 4.)
- FINISH: SELECTIVE GOLD (Au) 1.27 MICROMETERS MINIMUM
IN CONTACT AREA, SELECTIVE MATTE TIN (Sn) IN TAIL AREA,
NICKEL (Ni) UNDERPLATE OVERALL.
(WHEN * = 6, 7, 8, OR 9.)
- PART SHOWN IS 74026-6110.
- USE 6.00 mm NOMINAL FOR DAUGHTERCARD LAYOUT.

LEAD FREE CONVERSION EC NO: UCP2013-3429 DRAWN: RWHIPPLE 2013/02/13 CHKD: MWOLFE 2013/02/13 APPR: SMILLER 2013/03/04 REV DESCRIPTION	QUALITY SYMBOLS	GENERAL TOLERANCES (UNLESS SPECIFIED)	DIMENSION STYLE	SCALE	DESIGN UNITS	THIRD ANGLE PROJECTION
	▽E=0	mm INCH	MM ONLY	NONE	METRIC	
	▽E=0	4 PLACES ± --- ± ---	DRAWN BY DATE			
	▽E=0	3 PLACES ± --- ± ---	RWHIPPLE 2013/02/13			
		2 PLACES ± 0.13 ± ---	CHECKED BY DATE			
		1 PLACE ± 0.25 ± ---	BREARLEY 98/10/21			
		0 PLACE ± --- ± ---	APPROVED BY DATE			
			SMILLER 2013/03/04			
		ANGULAR ±1/2°	MATERIAL NO.	DOCUMENT NO.		
		DRAFT WHERE APPLICABLE	SEE CHART			
		MUST REMAIN WITHIN DIMENSIONS	SIZE B	THIS DRAWING CONTAINS INFORMATION THAT IS PROPRIETARY TO MOLEX INCORPORATED AND SHOULD NOT BE USED WITHOUT WRITTEN PERMISSION		

VHDM POWER
6 ROW DAUGHTERCARD
SALES ASSEMBLY

molex

SD-74026-001

SHEET NO.
1 OF 1