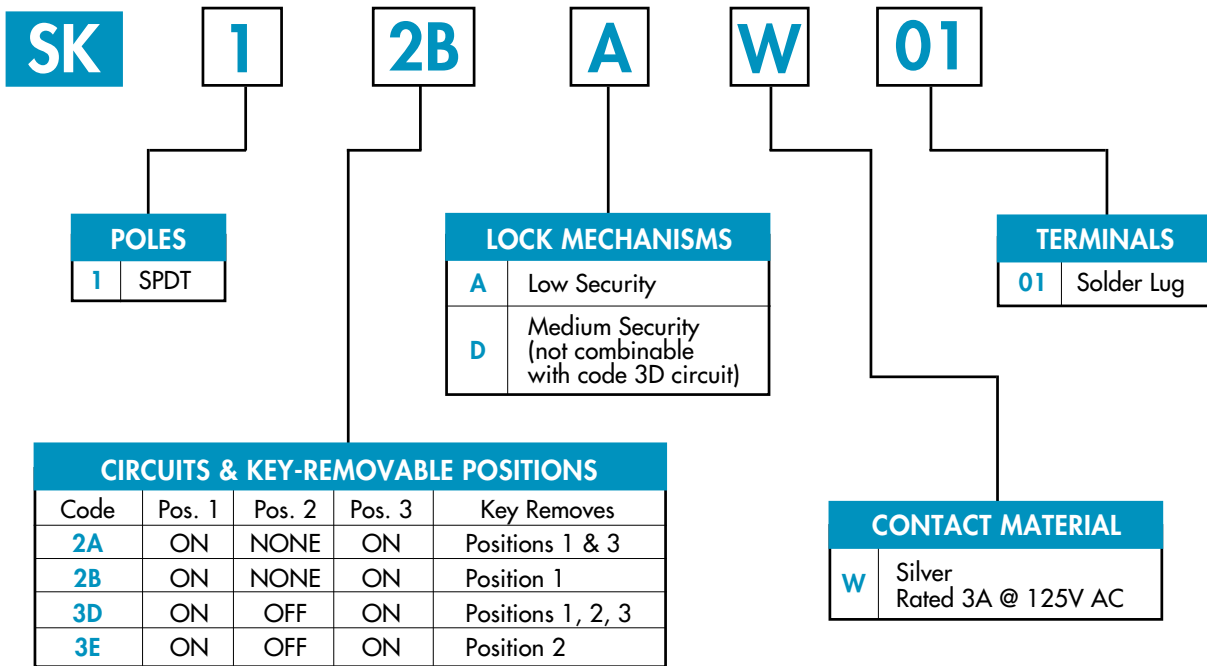
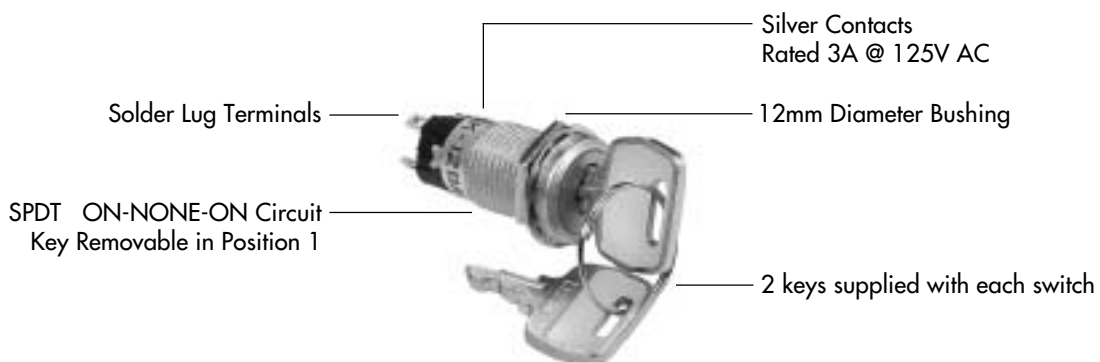


## TYPICAL SWITCH ORDERING EXAMPLE



### DESCRIPTION FOR TYPICAL ORDERING EXAMPLE

#### SK12BAW01



#### IMPORTANT:



Switches are supplied without UL & CSA marking unless specified. Specific models & ratings noted on General Specifications page.

## GENERAL SPECIFICATIONS

### Electrical Capacity (Resistive Load)

**Power Level (code W):** 3A @ 125V AC for low & medium security; 1A @ 250V AC for low security

### Other Ratings

**Contact Resistance:** 10 milliohms maximum  
**Insulation Resistance:** 1,000 megohms minimum @ 500V DC  
**Dielectric Strength:** 1,000V AC minimum between contacts; 1,500V AC minimum between contacts & case  
**Mechanical Life:** 30,000 cycles minimum  
**Electrical Life:** 10,000 cycles minimum  
**Nominal Operating Torque:** 270 grams-cm (3.74 ounce-in) for low & medium security  
**Contact Timing:** Break before make  
**Angle of Throw:** 90° for 2-position & 45° for 3-position

### Materials & Finishes

**Key:** Zinc alloy with chrome plating (matte) for low security models;  
brass with nickel plating (shiny) for medium security models  
**Tumbler Barrel:** Zinc alloy with chrome plating (matte) for low security models;  
zinc alloy with chrome plating (shiny) for medium security models  
**Housing/Bushing:** Zinc alloy with chrome plating (matte) for low security models;  
zinc alloy with chrome plating (shiny) for medium security models  
**Base:** Phenolic resin (thermoset)  
**Movable Contactor:** Silver  
**Stationary Contacts:** Silver capped copper with silver plating  
**Terminals:** Copper or brass with silver plating

### Environmental Data

**Operating Temp Range:** -25°C through +70°C (-13°F through +158°F)  
**Humidity:** 90 ~ 95% for 96 hours @ 40°C (104°F)  
**Vibration:** 10 ~ 55 Hz with peak-to-peak amplitude of 1.5mm traversing the frequency range and returning in 1 minute; 3 right angled directions for 2 hours  
**Shock:** 50g acceleration (tested in 6 right angled directions, with 5 shocks in each direction)

### Installation

**Mounting Torque:** 15.3kgf/cm (13.3lb/in) in mounting torque  
**Soldering Time & Temperature:** 3 seconds @ 350°C  
**Process Seal:** Not available

### Standards & Certifications

**UL Recognized:** All low security models recognized at 3A @ 125V AC or 1A @ 250V AC & all medium security models recognized at 3A @ 125V AC; UL File No. E44145  
**CSA Certified:** All low security models certified at 3A @ 125V AC or 1A @ 250V AC; CSA File No. LR23535

### POLES, CIRCUITS, & KEY-REMOVABLE POSITIONS

Pole & Throw	Model	Key Positions			Connected Terminals (Terminal numbers are on switch)			Schematic	⊙ = Key Removable ● = Not Removable ✓ = Maximum Arc
		Pos 1	Pos 2	Pos 3	Pos 1	Pos 2	Pos 3		
SPDT	SK12A	ON	NONE	ON	COM-1	-----	COM-2		
SPDT	SK12B	ON	NONE	ON	COM-1	-----	COM-2		
SPDT	SK13D*	ON	OFF	ON	COM-1	OPEN	COM-2		
SPDT	SK13E	ON	OFF	ON	COM-1	OPEN	COM-2		

\* Available with low security only

### KEY REMOVABLE

**A** Positions 1 & 3  
(90° angular throw)

**B** Position 1  
(90° angular throw)

**D** Positions 1, 2, & 3  
(45° angular throw)

**E** Position 2  
(45° angular throw)

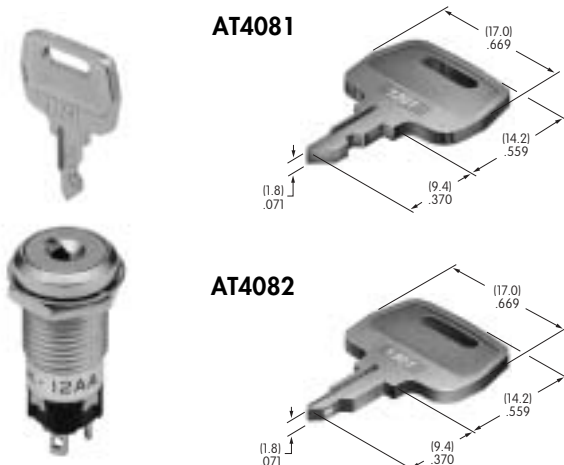
### LOCK MECHANISMS & KEYS

**A** Low Security Mechanism with 3 Tumblers

Zinc Alloy with Chrome Plating (matte finish)

2 keys provided with each switch (no master key available).

For ordering additional keys:  
AT4081 for SK12A and SK12B; marked "1201" or AT4082 for SK13D and SK13E; marked "1301".

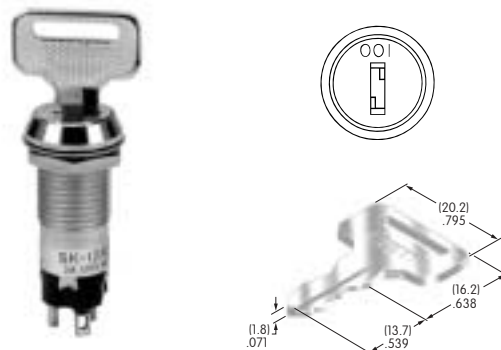


**D** Medium Security Mechanism with 4 Tumblers

Brass with Nickel Plating (shiny finish)

1 key provided with each switch (no master key available).

For ordering additional keys, indicate the same key number that is engraved on the face of your switch.



## CONTACT MATERIALS, RATINGS, & TERMINALS

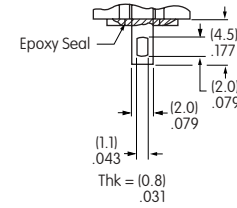
**W** Silver over Silver

Power Level

3A @ 125V AC

**01** Solder Lug Terminals

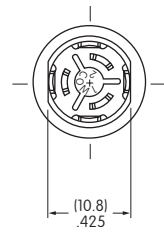
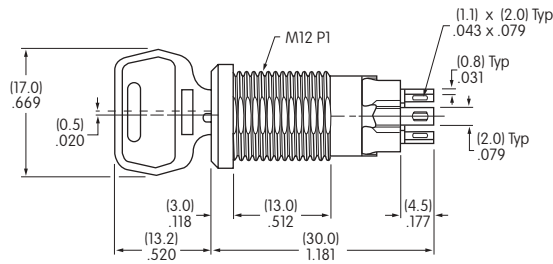
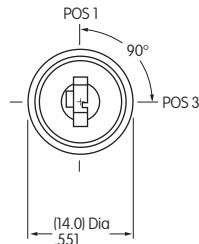
Solder lug terminals have a .043" X .079" oval hole which accommodates 1 solid 18-gauge wire or 2 solid or stranded 20-gauge wires.



## TYPICAL SWITCH DIMENSIONS

Low Security • 90° Angular Throw

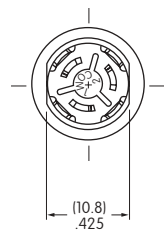
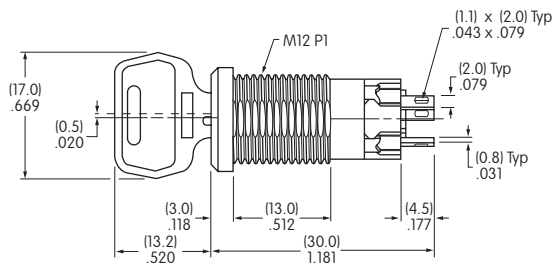
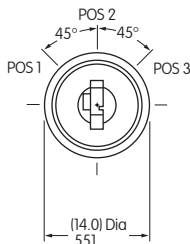
Single Pole



SK12BAW01

Low Security • 45° Angular Throw

Single Pole

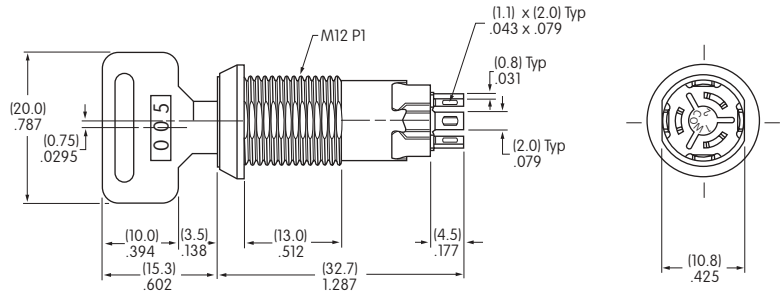
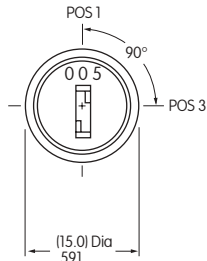


SK13EAW01

## TYPICAL SWITCH DIMENSIONS

### Medium Security • 90° Angular Throw

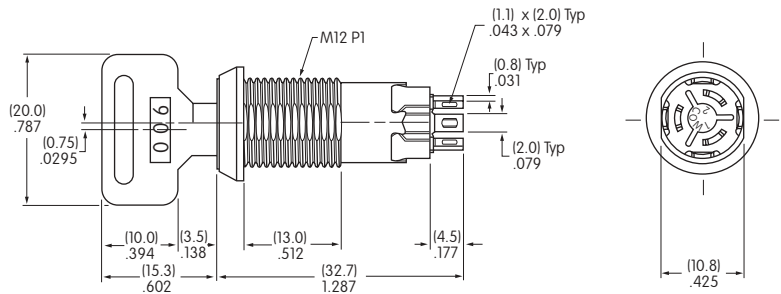
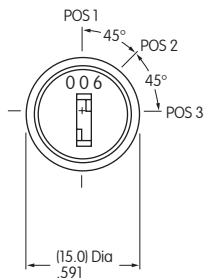
### Single Pole



SK12ADW01

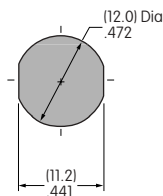
### Medium Security • 45° Angular Throw

### Single Pole



SK13EDW01

## PANEL CUTOUT & THICKNESS



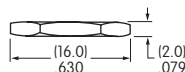
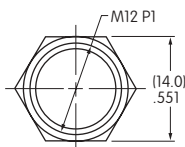
The 12mm bushing is 13.0mm (.512") long. It allows mounting these devices in a maximum effective panel thickness of 8.0mm (.315").

## STANDARD HARDWARE

### AT527M Hex Mounting Nut

1 included with each switch

Steel, nickel plating



### AT508 Internal Tooth Lockwasher

1 included with each switch

Steel, chromate over zinc plating

