

300 mA Ultra-small Dual LDO Regulator

No. EA-202-210715

OUTLINE

The RP154x is a CMOS-based voltage regulator that provides high ripple rejection, low dropout voltage, high output voltage accuracy, and low supply current. Internally, the RP154x consists of a voltage reference unit, an error amplifier, resistors for setting output voltage, a short current limit circuit and a chip enable circuit.

The RP154x is available in fixed output voltage options. Besides the low supply current by CMOS, the RP154x offers a low dropout voltage by built-in low ON resistance r_{ON} as well as an extended battery life by a chip enable function. Compared with the existing CMOS-based regulators, the RP154x is further improved in ripple rejection, line transient response, and load transient response. All these features allow the RP154x to become ideal power sources for hand-held communication equipment.

The RP154x is offered in a 6-pin SOT-23-6 package for a single input type and an 8-pin DFN1216-8 package for a dual input type. Both packages are equipped with two LDOs which can achieve high-density mounting.

FEATURES

- Supply Current Typ. 50 μ A x 2 (VR1 & VR2)
- Standby Current Typ. 0.1 μ A x 2 (VR1 & VR2)
- Input Voltage Range 1.4 V to 5.25 V
- Output Voltage Range 0.8 V to 3.7 V (0.1 V steps)
- Output Voltage Accuracy \pm 1.0% ($V_{SET} > 2.0$ V, $T_a = 25^\circ$ C)
- Temperature-Drift Coefficient of Output Voltage Typ. \pm 80 ppm/ $^\circ$ C
- Dropout Voltage Typ. 0.25 V ($I_{OUT} = 300$ mA, $V_{SET} = 2.5$ V)
- Ripple Rejection Typ. 75 dB ($f = 1$ kHz)
- Line Regulation Typ. 0.02%/V
- Packages DFN1216-8, SOT-23-6
- Short-current Limit Circuit Typ. 60 mA
- Overcurrent Protection Circuit
- Ceramic Capacitor Compatible 1.0 μ A or more

APPLICATIONS

- Power source for portable communication equipment.
- Power source for electrical appliances such as cameras, VCRs and camcorders.
- Power source for battery-powered equipment.

RP154x

No. EA-202-210715

SELECTION GUIDE

The set output voltage, the package type and the auto discharge function⁽¹⁾ are user-selectable options.

Selection Guide

Product Name	Package	Quantity per Reel	Pb Free	Halogen Free
RP154L0xx*-E2	DFN1216-8	5,000 pcs	Yes	Yes
RP154N0xx*-TR-FE	SOT-23-6	3,000 pcs	Yes	Yes

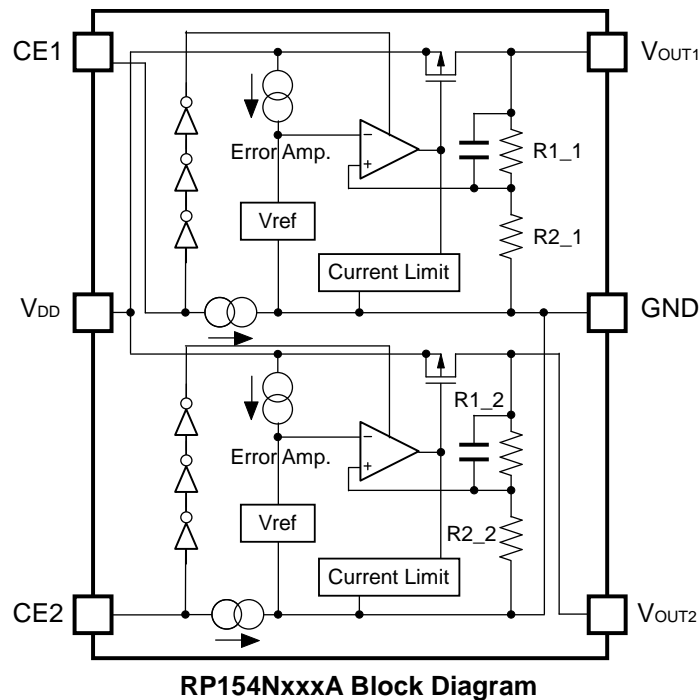
xx: Specify the combination of set output voltage (V_{SET}) within the range of 0.8 V to 3.7 V in 0.1 V step.

*: The auto discharge function at off state are options as follows.

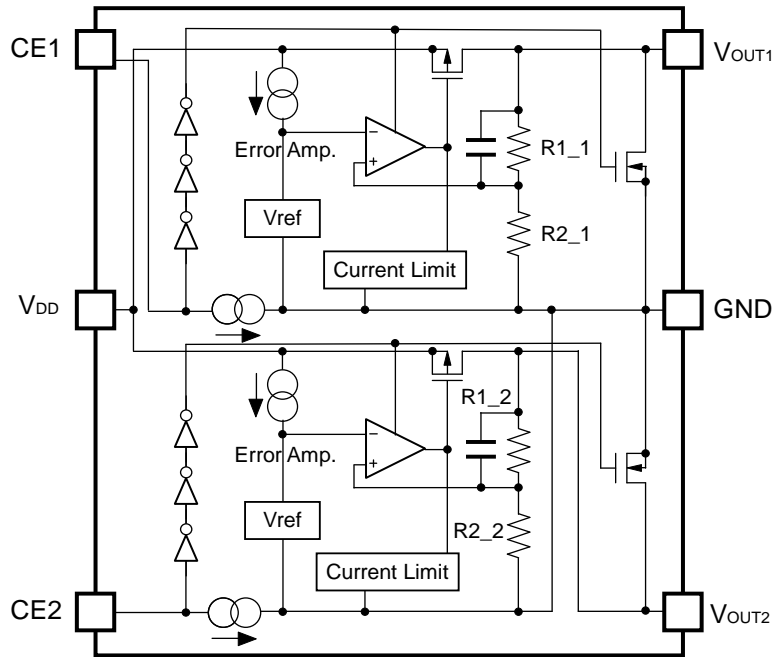
(A) Auto-discharge function not included, Active-high

(B) Auto-discharge function included, Active-high

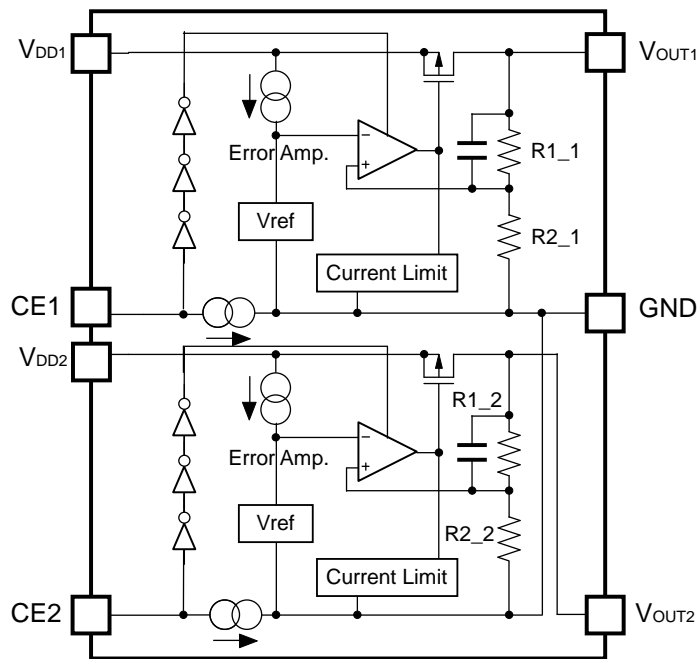
BLOCK DIAGRAMS



⁽¹⁾ Auto-discharge function quickly lowers the output voltage to 0 V by releasing the electrical charge accumulated in the external capacitor when the chip enable signal is switched from the active mode to the standby mode.



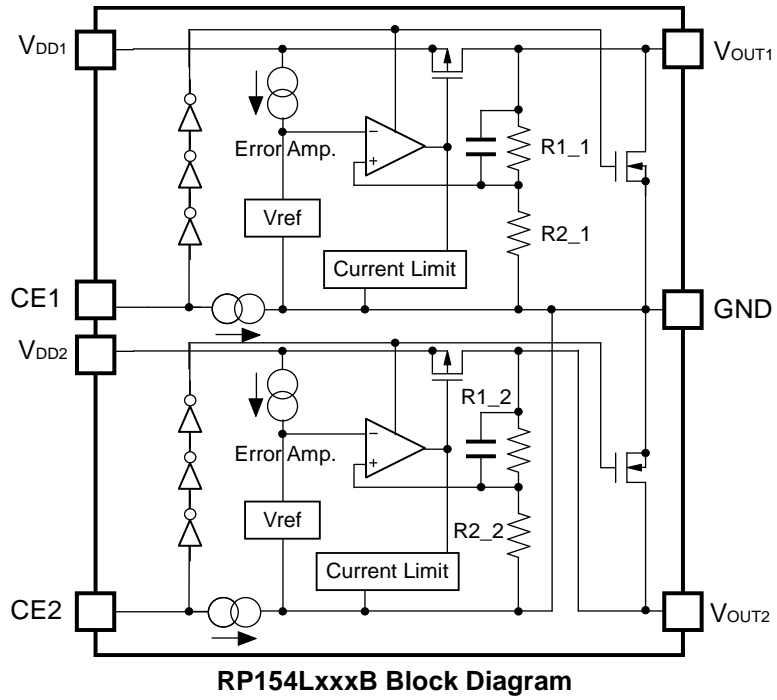
RP154NxxxB Block Diagram



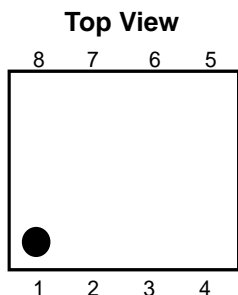
RP154LxxxA Block Diagram

RP154x

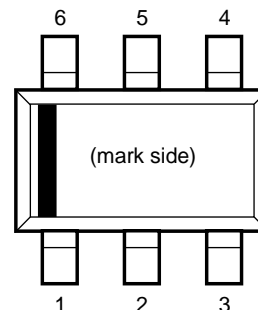
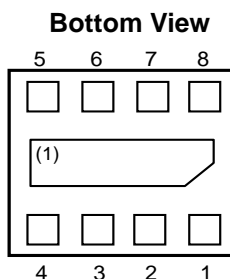
No. EA-202-210715



PIN DESCRIPTIONS



DFN1216-8 Pin Configuration



SOT-23-6 Pin Configuration

DFN1216-8 Pin Description

Pin No.	Symbol	Description
1	GND	Ground Pin ⁽²⁾
2	VOUT1	Output Pin 1
3	VOUT2	Output Pin 2
4	GND	Ground Pin ⁽²⁾
5	CE2	Chip Enable Pin 2, Active-high
6	VDD2	Input Pin
7	VDD1	Input Pin
8	CE1	Chip Enable Pin 1, Active-high

SOT-23-6 Pin Description

Pin No.	Symbol	Description
1	CE1	Chip Enable Pin 1 ("H" Active)
2	VDD	Input Pin
3	CE2	Chip Enable Pin 2 ("H" Active)
4	VOUT2	Output Pin 2
5	GND	Ground Pin
6	VOUT1	Output Pin 1

⁽¹⁾ Tab is GND level. (They are connected to the reverse side of this IC). The tab is better to be connected to the GND, but leaving it open is also acceptable.

⁽²⁾ The GND pin must be wired together when it is mounted on board.

ABSOLUTE MAXIMUM RATINGS**Absolute Maximum Ratings**

Symbol	Item	Rating	Unit	
V_{IN}	Input Voltage	6.0	V	
V_{CE}	Input Voltage (CE Pin)	-0.3 to 6.0	V	
V_{OUT1}, V_{OUT2}	Output Voltage	-0.3 to $V_{IN} + 0.3$	V	
I_{OUT1}, I_{OUT2}	Output Current	400	mA	
P_D	Power Dissipation ⁽¹⁾ (JEDEC STD. 51-7 Test Land Pattern)	DFN1216-8	1700	mW
		SOT-23-6	660	
P_D	Power Dissipation (DFN1216-8) ⁽²⁾	625	mW	
	Power Dissipation (SOT-23-6) ⁽¹⁾	420		
T_j	Junction Temperature Range	-40 to 125	°C	
T_{stg}	Storage Temperature Range	-55 to 125	°C	

ABSOLUTE MAXIMUM RATINGS

Electronic and mechanical stress momentarily exceeded absolute maximum ratings may cause permanent damage and may degrade the life time and safety for both device and system using the device in the field. The functional operation at or over these absolute maximum ratings is not assured.

RECOMMENDED OPERATING CONDITIONS**Recommended Operating Conditions**

Symbol	Item	Rating	Unit
V_{IN}	Operating Input Voltage	1.4 to 5.25	V
T_a	Operating Temperature Range	-40 to 85	°C

RECOMMENDED OPERATING CONDITIONS

All of electronic equipment should be designed that the mounted semiconductor devices operate within the recommended operating conditions. The semiconductor devices cannot operate normally over the recommended operating conditions, even if they are used over such conditions by momentary electronic noise or surge. And the semiconductor devices may receive serious damage when they continue to operate over the recommended operating conditions.

⁽¹⁾ Refer to *POWER DISSIPATION* for detailed information.

⁽²⁾ Refer to *POWER DISSIPATION* for detailed information.

ELECTRICAL CHARACTERISTICS

$V_{IN} = V_{SET} > +1.0\text{ V}$ ($V_{SET} > 1.5\text{ V}$), $V_{IN} = 2.5\text{ V}$ ($V_{SET} \leq 1.5\text{ V}$), $I_{OUT} = 1\text{ mA}$, $C_{IN} = C_{OUT} = 1.0\text{ }\mu\text{F}$, unless otherwise noted,

V_{SET} = Set Output Voltage

The specification in is checked and guaranteed by design engineering at $-40^{\circ}\text{C} \leq T_a \leq 85^{\circ}\text{C}$.

VR1/VR2 Electrical Characteristics

($T_a = 25^{\circ}\text{C}$)

Symbol	Item	Conditions	Min.	Typ.	Max.	Unit	
V_{OUT}	Output Voltage	$T_a = 25^{\circ}\text{C}$	$V_{SET} > 2.0\text{ V}$	$\times 0.99$		$\times 1.01$	V
			$V_{SET} \leq 2.0\text{ V}$	-20		20	mV
		$-40^{\circ}\text{C} \leq T_a \leq 85^{\circ}\text{C}$	$V_{SET} > 2.0\text{ V}$	×0.97		×1.03	V
			$V_{SET} \leq 2.0\text{ V}$	-60		60	mV
I_{OUT}	Output Current		300			mA	
$\frac{\Delta V_{OUT}}{\Delta I_{OUT}}$	Load Regulation	$1\text{ mA} \leq I_{OUT} \leq 300\text{ mA}$		15	40	mV	
V_{DIF}	Dropout Voltage	Refer to Dropout Voltage by Set Output Voltage.					
I_{SS}	Supply Current	$I_{OUT} = 0\text{ mA}$		50	75	μA	
$I_{standby}$	Standby Current	$V_{CE} = 0\text{ V}$		0.1	1.0	μA	
$\frac{\Delta V_{OUT}}{\Delta V_{IN}}$	Line Regulation	$V_{SET} + 0.5\text{ V} \leq V_{IN} \leq 5.25\text{ V}$ ($V_{IN} \geq 1.4\text{ V}$)		0.02	0.10	%/V	
RR	Ripple Rejection	$f = 1\text{ kHz}$, Ripple 0.2 V_{p-p} $V_{IN} = V_{SET} + 1.0\text{ V}$, $I_{OUT} = 30\text{ mA}$ (When $V_{SET} \leq 2.0\text{ V}$, $V_{IN} = 3.0\text{ V}$)		75		dB	
V_{IN}	Input Voltage ⁽¹⁾		1.4		5.25	V	
$\frac{\Delta V_{OUT}}{\Delta T_a}$	Output Voltage Temperature Coefficient	$-40^{\circ}\text{C} \leq T_a \leq 85^{\circ}\text{C}$		± 80		ppm/ $^{\circ}\text{C}$	
I_{SC}	Short Current Limit	$V_{OUT} = 0\text{ V}$		60		mA	
I_{PD}	CE Pull-down Current			0.3	0.6	μA	
V_{CEH}	CE Input Voltage "H"		1.0			V	
V_{CEL}	CE Input Voltage "L"				0.4	V	
en	Output Noise	$BW = 10\text{ Hz} \sim 100\text{ kHz}$		75		μV_{rms}	
R_{LOW}	Low Output Nch Tr. ON Resistance (of B version)	$V_{IN} = 4.0\text{ V}$, $V_{CE} = 0\text{ V}$		50		Ω	

All of unit are tested and specified under load conditions such that $T_j \approx T_a = 25^{\circ}\text{C}$ except for Output Noise, Ripple Rejection, Output Voltage Temperature Coefficient and Thermal Shutdown.

⁽¹⁾ The maximum Input Voltage of *ELECTRICAL CHARACTERISTICS* is 5.25 V. In case of exceeding this specification, the IC must be operated on condition that the Input Voltage is up to 5.5 V and the total operating time is within 500 hrs.

ELECTRICAL CHARACTERISTICS (continued)The specification in is checked and guaranteed by design engineering at $-40^{\circ}\text{C} \leq T_a \leq 85^{\circ}\text{C}$.**Dropout Voltage by Set Output Voltage**

(Ta = 25°C)

Set Output Voltage V_{SET} (V)	Dropout Voltage V_{DIF} (V)		
	Condition	Typ.	Max.
$V_{\text{SET}} = 0.8$	I _{OUT} = 300 mA	0.56	<input type="checkbox"/> 0.72
$V_{\text{SET}} = 0.9$		0.51	<input type="checkbox"/> 0.65
$1.0 \leq V_{\text{SET}} < 1.2$		0.46	<input type="checkbox"/> 0.59
$1.2 \leq V_{\text{SET}} < 1.4$		0.39	<input type="checkbox"/> 0.50
$1.4 \leq V_{\text{SET}} < 1.7$		0.35	<input type="checkbox"/> 0.44
$1.7 \leq V_{\text{SET}} < 2.1$		0.30	<input type="checkbox"/> 0.39
$2.1 \leq V_{\text{SET}} < 2.5$		0.26	<input type="checkbox"/> 0.34
$2.5 \leq V_{\text{SET}} < 3.0$		0.25	<input type="checkbox"/> 0.30
$3.0 \leq V_{\text{SET}} \leq 3.7$		0.22	<input type="checkbox"/> 0.29

RP154xxxxx Product-specific Electrical Characteristics

Product Name	VR1								VR2							
	V _{OUT} [V] (Ta = 25°C)			V _{OUT} [V] (-40°C ≤ Ta ≤ 85°C)			ΔV _{DIF} [V]		V _{OUT} [V] (Ta = 25°C)			V _{OUT} [V] (-40°C ≤ Ta ≤ 85°C)			ΔV _{DIF} [V]	
	Min.	Typ.	Max.	Min.	Typ.	Max.	Typ.	Max.	Min.	Typ.	Max.	Min.	Typ.	Max.	Typ.	Max.
RP154x001x	2.772	2.800	2.828	2.716	2.800	2.884	0.25	0.30	2.772	2.800	2.828	2.716	2.800	2.884	0.25	0.30
RP154x002x	1.780	1.800	1.820	1.740	1.800	1.860	0.30	0.39	2.772	2.800	2.828	2.716	2.800	2.884	0.25	0.30
RP154x003x	1.480	1.500	1.520	1.440	1.500	1.560	0.35	0.44	2.772	2.800	2.828	2.716	2.800	2.884	0.25	0.30
RP154x004x	1.180	1.200	1.220	1.140	1.200	1.260	0.39	0.50	1.780	1.800	1.820	1.740	1.800	1.860	0.30	0.39
RP154x005x	3.267	3.300	3.333	3.201	3.300	3.399	0.22	0.29	1.180	1.200	1.220	1.140	1.200	1.260	0.39	0.50
RP154x006x	3.267	3.300	3.333	3.201	3.300	3.399	0.22	0.29	1.780	1.800	1.820	1.740	1.800	1.860	0.30	0.39
RP154x007x	2.822	2.850	2.878	2.765	2.850	2.935	0.25	0.30	2.822	2.850	2.878	2.765	2.850	2.935	0.25	0.30
RP154x008x	2.822	2.850	2.878	2.765	2.850	2.935	0.25	0.30	2.574	2.600	2.626	2.522	2.600	2.678	0.25	0.30
RP154x009x	2.970	3.000	3.030	2.910	3.000	3.090	0.22	0.29	2.772	2.800	2.828	2.716	2.800	2.884	0.25	0.30
RP154x010x	2.970	3.000	3.030	2.910	3.000	3.090	0.22	0.29	1.780	1.800	1.820	1.740	1.800	1.860	0.30	0.39
RP154x011x	1.780	1.800	1.820	1.740	1.800	1.860	0.30	0.39	1.480	1.500	1.520	1.440	1.500	1.560	0.35	0.44
RP154x012x	2.772	2.800	2.828	2.716	2.800	2.884	0.25	0.30	2.574	2.600	2.626	2.522	2.600	2.678	0.25	0.30
RP154x013x	3.267	3.300	3.333	3.201	3.300	3.399	0.22	0.29	2.772	2.800	2.828	2.716	2.800	2.884	0.25	0.30
RP154x014x	3.267	3.300	3.333	3.201	3.300	3.399	0.22	0.29	3.267	3.300	3.333	3.201	3.300	3.399	0.22	0.29
RP154x015x	1.480	1.500	1.520	1.440	1.500	1.560	0.35	0.44	2.475	2.500	2.525	2.425	2.500	2.575	0.25	0.30
RP154x016x	1.480	1.500	1.520	1.440	1.500	1.560	0.35	0.44	2.970	3.000	3.030	2.910	3.000	3.090	0.22	0.29
RP154x017x	2.475	2.500	2.525	2.425	2.500	2.575	0.25	0.30	2.970	3.000	3.030	2.910	3.000	3.090	0.22	0.29
RP154x018x	1.780	1.800	1.820	1.740	1.800	1.860	0.30	0.39	1.780	1.800	1.820	1.740	1.800	1.860	0.30	0.39
RP154x019x	1.480	1.500	1.520	1.440	1.500	1.560	0.35	0.44	2.574	2.600	2.626	2.522	2.600	2.678	0.25	0.30
RP154x020x	2.772	2.800	2.828	2.716	2.800	2.884	0.25	0.30	1.780	1.800	1.820	1.740	1.800	1.860	0.30	0.39
RP154x021x	1.180	1.200	1.220	1.140	1.200	1.260	0.39	0.50	2.772	2.800	2.828	2.716	2.800	2.884	0.25	0.30
RP154x022x	2.772	2.800	2.828	2.716	2.800	2.884	0.25	0.30	1.180	1.200	1.220	1.140	1.200	1.260	0.39	0.50
RP154x023x	2.475	2.500	2.525	2.425	2.500	2.575	0.25	0.30	2.475	2.500	2.525	2.425	2.500	2.575	0.25	0.30
RP154x024x	3.267	3.300	3.333	3.201	3.300	3.399	0.22	0.29	2.970	3.000	3.030	2.910	3.000	3.090	0.22	0.29
RP154x025x	2.970	3.000	3.030	2.910	3.000	3.090	0.22	0.29	2.970	3.000	3.030	2.910	3.000	3.090	0.22	0.29

RP154x

No. EA-202-210715

RP154xxxx Product-specific Electrical Characteristics

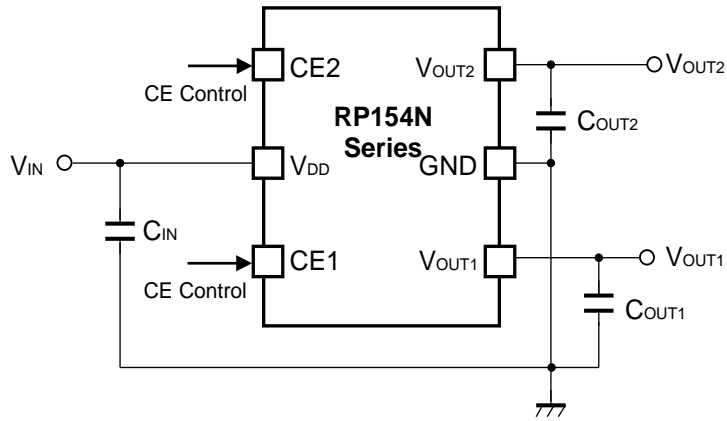
Product Name	VR1								VR2							
	V _{OUT} [V] (Ta = 25°C)			V _{OUT} [V] (-40°C ≤ Ta ≤ 85°C)			ΔV _{DIF} [V]		V _{OUT} [V] (Ta = 25°C)			V _{OUT} [V] (-40°C ≤ Ta ≤ 85°C)			ΔV _{DIF} [V]	
	Min.	Typ.	Max.	Min.	Typ.	Max.	Typ.	Max.	Min.	Typ.	Max.	Min.	Typ.	Max.	Typ.	Max.
RP154x026x	2.772	2.800	2.828	2.716	2.800	2.884	0.25	0.30	3.069	3.100	3.131	3.007	3.100	3.193	0.22	0.29
RP154x027x	2.277	2.300	2.323	2.231	2.300	2.369	0.26	0.34	2.772	2.800	2.828	2.716	2.800	2.884	0.25	0.30
RP154x028x	2.772	2.800	2.828	2.716	2.800	2.884	0.25	0.30	0.980	1.000	1.020	0.940	1.000	1.060	0.46	0.59
RP154x029x	1.480	1.500	1.520	1.440	1.500	1.560	0.35	0.44	1.480	1.500	1.520	1.440	1.500	1.560	0.35	0.44
RP154x030x	1.180	1.200	1.220	1.140	1.200	1.260	0.39	0.50	2.871	2.900	2.929	2.813	2.900	2.987	0.25	0.30
RP154x031x	2.624	2.650	2.676	2.571	2.650	2.729	0.25	0.30	2.822	2.850	2.878	2.765	2.850	2.935	0.25	0.30
RP154x032x	3.267	3.300	3.333	3.201	3.300	3.399	0.22	0.29	2.822	2.850	2.878	2.765	2.850	2.935	0.25	0.30
RP154x033x	1.780	1.800	1.820	1.740	1.800	1.860	0.30	0.39	2.871	2.900	2.929	2.813	2.900	2.987	0.25	0.30
RP154x034x	3.069	3.100	3.131	3.007	3.100	3.193	0.22	0.29	3.069	3.100	3.131	3.007	3.100	3.193	0.22	0.29
RP154x035x	2.772	2.800	2.828	2.716	2.800	2.884	0.25	0.30	2.673	2.700	2.727	2.619	2.700	2.781	0.25	0.30
RP154x036x	0.980	1.000	1.020	0.940	1.000	1.060	0.46	0.59	1.780	1.800	1.820	1.740	1.800	1.860	0.30	0.39
RP154x037x	1.180	1.200	1.220	1.140	1.200	1.260	0.39	0.50	2.475	2.500	2.525	2.425	2.500	2.575	0.25	0.30
RP154x038x	1.680	1.700	1.720	1.640	1.700	1.760	0.30	0.39	3.069	3.100	3.131	3.007	3.100	3.193	0.22	0.29
RP154x039x	1.780	1.800	1.820	1.740	1.800	1.860	0.30	0.39	2.475	2.500	2.525	2.425	2.500	2.575	0.25	0.30
RP154x040x	1.480	1.500	1.520	1.440	1.500	1.560	0.35	0.44	1.780	1.800	1.820	1.740	1.800	1.860	0.30	0.39
RP154x041x	1.780	1.800	1.820	1.740	1.800	1.860	0.30	0.39	2.673	2.700	2.727	2.619	2.700	2.781	0.25	0.30
RP154x042x	2.673	2.700	2.727	2.619	2.700	2.781	0.25	0.30	2.673	2.700	2.727	2.619	2.700	2.781	0.25	0.30
RP154x043x	2.871	2.900	2.929	2.813	2.900	2.987	0.25	0.30	2.871	2.900	2.929	2.813	2.900	2.987	0.25	0.30
RP154x044x	1.680	1.700	1.720	1.640	1.700	1.760	0.30	0.39	2.970	3.000	3.030	2.910	3.000	3.090	0.22	0.29
RP154x045x	1.730	1.750	1.770	1.690	1.750	1.810	0.30	0.39	2.970	3.000	3.030	2.910	3.000	3.090	0.22	0.29
RP154x046x	2.970	3.000	3.030	2.910	3.000	3.090	0.22	0.29	3.069	3.100	3.131	3.007	3.100	3.193	0.22	0.29
RP154x047x	1.730	1.750	1.770	1.690	1.750	1.810	0.30	0.39	3.069	3.100	3.131	3.007	3.100	3.193	0.22	0.29
RP154x048x	1.780	1.800	1.820	1.740	1.800	1.860	0.30	0.39	3.069	3.100	3.131	3.007	3.100	3.193	0.22	0.29
RP154x049x	2.475	2.500	2.525	2.425	2.500	2.575	0.25	0.30	3.069	3.100	3.131	3.007	3.100	3.193	0.22	0.29
RP154x050x	3.069	3.100	3.131	3.007	3.100	3.193	0.22	0.29	3.267	3.300	3.333	3.201	3.300	3.399	0.22	0.29

RP154xxxx Product-specific Electrical Characteristics

Product Name	VR1								VR2							
	V _{OUT} [V] (Ta = 25°C)			V _{OUT} [V] (-40°C ≤ Ta ≤ 85°C)			ΔV _{DIF} [V]		V _{OUT} [V] (Ta = 25°C)			V _{OUT} [V] (-40°C ≤ Ta ≤ 85°C)			ΔV _{DIF} [V]	
	Min.	Typ.	Max.	Min.	Typ.	Max.	Typ.	Max.	Min.	Typ.	Max.	Min.	Typ.	Max.	Typ.	Max.
RP154x051x	3.564	3.600	3.636	3.492	3.600	3.708	0.22	0.29	3.564	3.600	3.636	3.492	3.600	3.708	0.22	0.29
RP154x052x	1.780	1.800	1.820	1.740	1.800	1.860	0.30	0.39	2.970	3.000	3.030	2.910	3.000	3.090	0.22	0.29
RP154x053x	2.822	2.850	2.878	2.765	2.850	2.935	0.25	0.30	3.069	3.100	3.131	3.007	3.100	3.193	0.22	0.29
RP154x054x	1.180	1.200	1.220	1.140	1.200	1.260	0.39	0.50	1.180	1.200	1.220	1.140	1.200	1.260	0.39	0.50
RP154x055x	3.663	3.700	3.737	3.589	3.700	3.811	0.22	0.29	3.663	3.700	3.737	3.589	3.700	3.811	0.22	0.29
RP154x056x	1.080	1.100	1.120	1.040	1.100	1.160	0.46	0.59	1.780	1.800	1.820	1.740	1.800	1.860	0.30	0.39
RP154x057x	1.080	1.100	1.120	1.040	1.100	1.160	0.46	0.59	1.180	1.200	1.220	1.140	1.200	1.260	0.39	0.50
RP154x058x	0.980	1.000	1.020	0.940	1.000	1.060	0.46	0.59	3.267	3.300	3.333	3.201	3.300	3.399	0.22	0.29
RP154x059x	0.880	0.900	0.920	0.840	0.900	0.960	0.51	0.65	1.780	1.800	1.820	1.740	1.800	1.860	0.30	0.39
RP154x060x	0.880	0.900	0.920	0.840	0.900	0.960	0.51	0.65	0.880	0.900	0.920	0.840	0.900	0.960	0.51	0.65
RP154x061x	1.180	1.200	1.220	1.140	1.200	1.260	0.39	0.50	2.970	3.000	3.030	2.910	3.000	3.090	0.22	0.29
RP154x062x	2.772	2.800	2.828	2.716	2.800	2.884	0.25	0.30	2.871	2.900	2.929	2.813	2.900	2.987	0.25	0.30
RP154x063x	3.267	3.300	3.333	3.201	3.300	3.399	0.22	0.29	1.480	1.500	1.520	1.440	1.500	1.560	0.35	0.44
RP154x064x	1.080	1.100	1.120	1.040	1.100	1.160	0.46	0.59	2.871	2.900	2.929	2.813	2.900	2.987	0.25	0.30
RP154x065x	2.772	2.800	2.828	2.716	2.800	2.884	0.25	0.30	2.475	2.500	2.525	2.425	2.500	2.575	0.25	0.30
RP154x066x	0.780	0.800	0.820	0.740	0.800	0.860	0.56	0.72	1.780	1.800	1.820	1.740	1.800	1.860	0.30	0.39
RP154x067x	3.267	3.300	3.333	3.201	3.300	3.399	0.22	0.29	2.475	2.500	2.525	2.425	2.500	2.575	0.25	0.30
RP154x068x	1.280	1.300	1.320	1.240	1.300	1.360	0.39	0.50	1.780	1.800	1.820	1.740	1.800	1.860	0.30	0.39
RP154x069x	1.680	1.700	1.720	1.640	1.700	1.760	0.30	0.39	1.480	1.500	1.520	1.440	1.500	1.560	0.35	0.44
RP154x070x	1.180	1.200	1.220	1.140	1.200	1.260	0.39	0.50	1.280	1.300	1.320	1.240	1.300	1.360	0.39	0.50
RP154x071x	1.080	1.100	1.120	1.040	1.100	1.160	0.46	0.59	3.267	3.300	3.333	3.201	3.300	3.399	0.22	0.29

APPLICATION INFORMATION

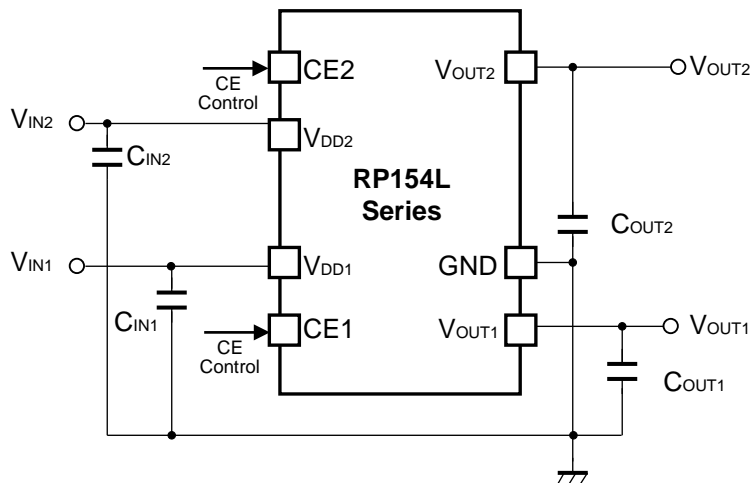
TYPICAL APPLICATION CIRCUIT



$C_{IN} = C_{OUT1} = C_{OUT2} = \text{Ceramic } 1.0 \mu\text{F}$
RP154NxxxA/B Typical Application Circuit

External Components

Symbol	Description
C_{OUT1}, C_{OUT2}	Ceramic Capacitor, 1.0 μF , Murata: GRM155B31A105KE15



$C_{IN1} = C_{IN2} = C_{OUT1} = C_{OUT2} = \text{Ceramic } 1.0 \mu\text{F}$
RP154LxxxA/B Typical Application Circuit

External Components

Symbol	Description
C_{OUT1}, C_{OUT2}	Ceramic Capacitor, 1.0 μF , Murata: GRM155B31A105KE15

TECHNICAL NOTES

Phase Compensation

In these ICs, phase compensation is made for securing stable operation even if the load current is varied. For this purpose, use capacitors (1.0 μ F or more) for C_{OUT1} and C_{OUT2} with good frequency characteristics and ESR (Equivalent Series Resistance).

Note: If additional ceramic capacitors are connected with parallel to the output pin with an output capacitor for phase compensation, the operation might be unstable. Because of this, test these ICs with as same external components as ones to be used on the PCB. If the tantalum capacitor is used and its ESR (Equivalent Series Resistance) is too large, the output may be unstable, therefore, fully evaluation is necessary.

PCB Layout

Make VDD and GND lines sufficient. If their impedance is high, noise pickup or unstable operation may result. Connect capacitors with a capacitance value as much as 1.0 μ F or more between VDD and GND pin, and as close as possible to the pins (C_{IN1}/ C_{IN2}).

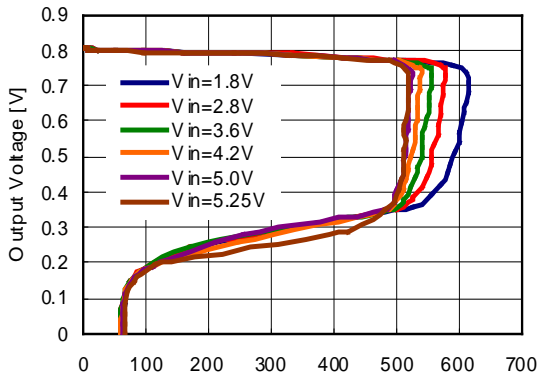
Set external components, especially the output capacitors, as close as possible to the ICs, and make wiring as short as possible (C_{OUT1}/ C_{OUT2}).

TYPICAL CHARACTERISTICS

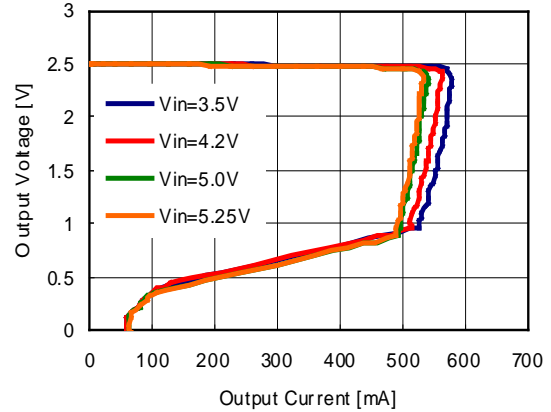
Note: Typical Characteristics are intended to be used as reference data; they are not guaranteed.

1) Output Voltage vs. Output Current ($C_{IN} = 1.0 \mu F$, $C_{OUT1} = C_{OUT2} = 1.0 \mu F$, $T_a = 25^\circ C$)

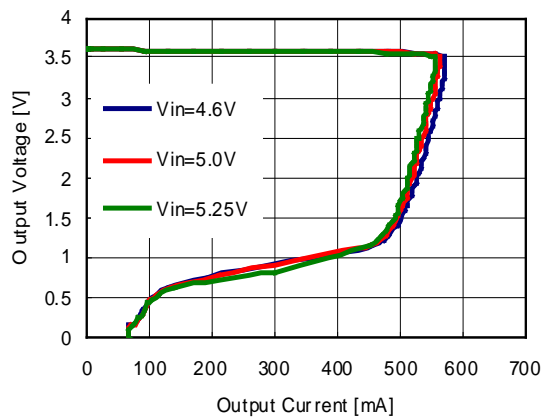
0.8V (VR1/VR2)



2.5V (VR1/VR2)

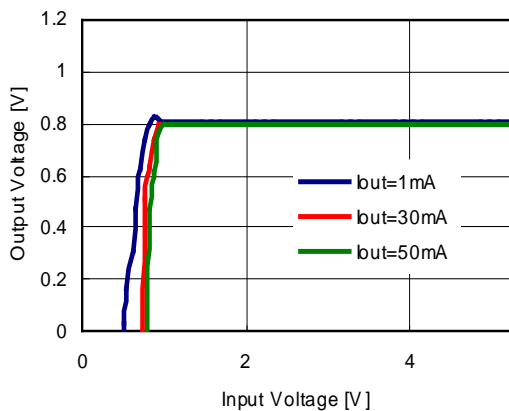


3.6V (VR1/VR2)

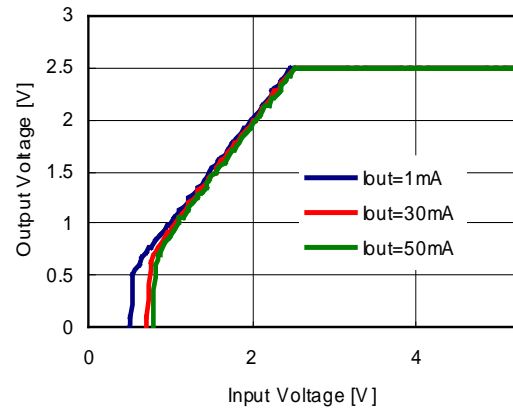


2) Output Voltage vs. Input Voltage ($C_{IN} = 1.0 \mu F$, $C_{OUT1} = C_{OUT2} = 1.0 \mu F$, $T_a = 25^\circ C$)

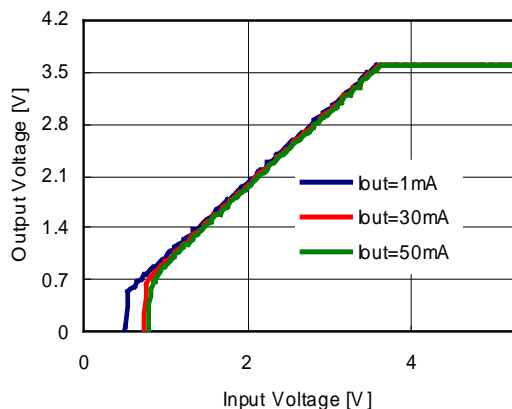
0.8V (VR1/VR2)



2.5V (VR1/VR2)

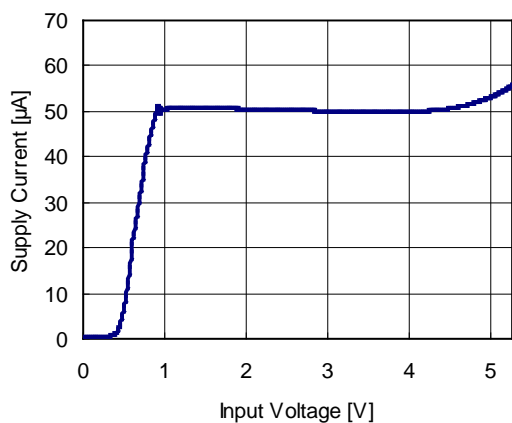


3.6V(VR1/VR2)

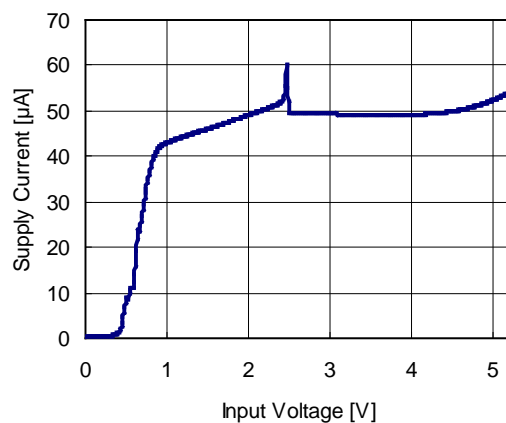


3) Supply Current vs. Input Voltage ($C_{IN} = 1.0 \mu F$, $C_{OUT1} = C_{OUT2} = 1.0 \mu F$, $T_a = 25^\circ C$)

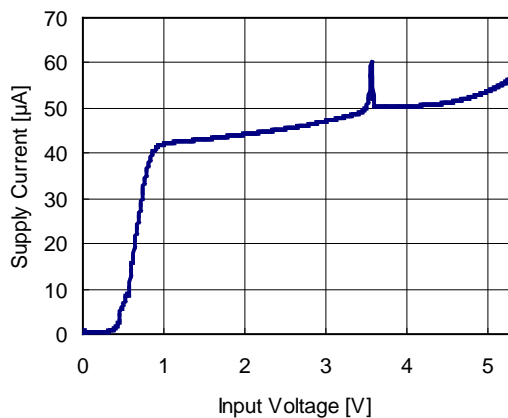
0.8V(VR1/VR2)



2.5V(VR1/VR2)

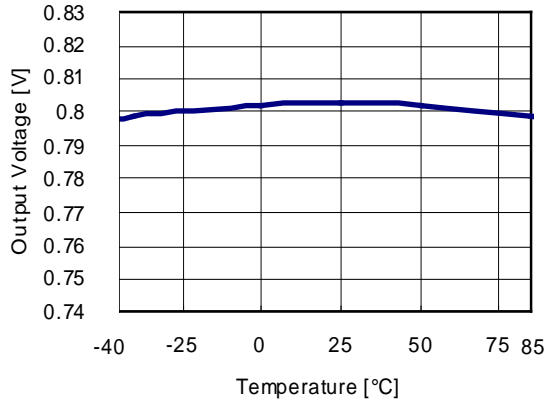


3.6V(VR1/VR2)

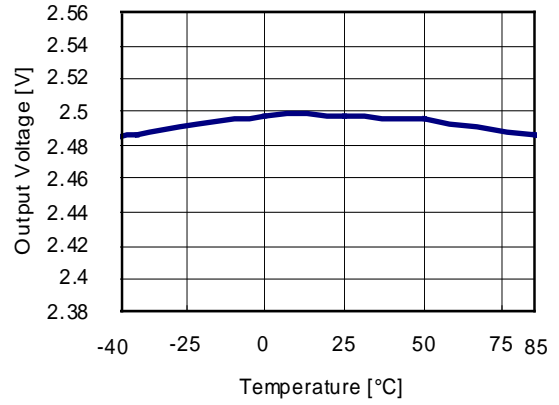


4) Output Voltage vs. Temperature ($C_{IN} = 1.0 \mu F$, $C_{OUT1} = C_{OUT2} = 1.0 \mu F$, $I_{OUT} = 5 \text{ mA}$)

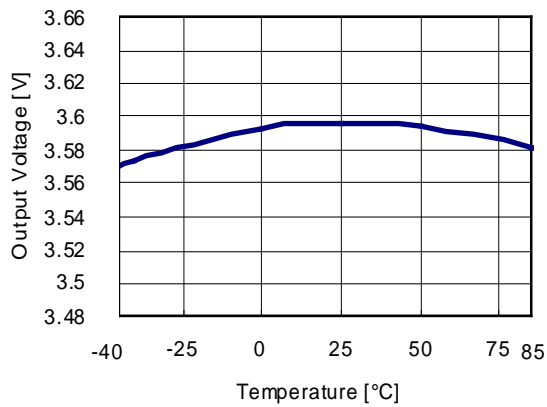
0.8V(VR1/VR2)



2.5V(VR1/VR2)

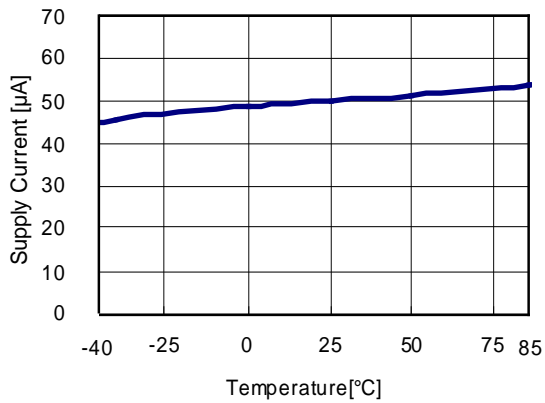


3.6V(VR1/VR2)

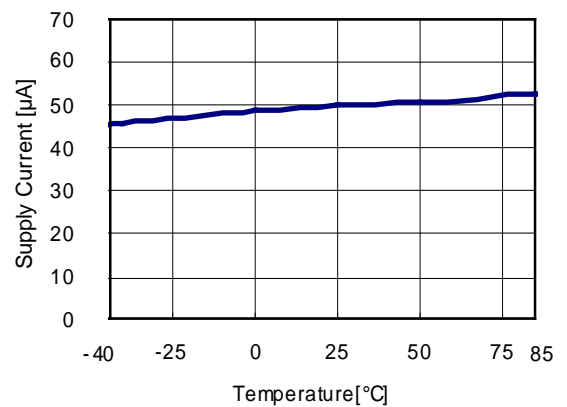


5) Supply Current vs. Temperature ($C_{IN} = 1.0 \mu F$, $C_{OUT1} = C_{OUT2} = 1.0 \mu F$)

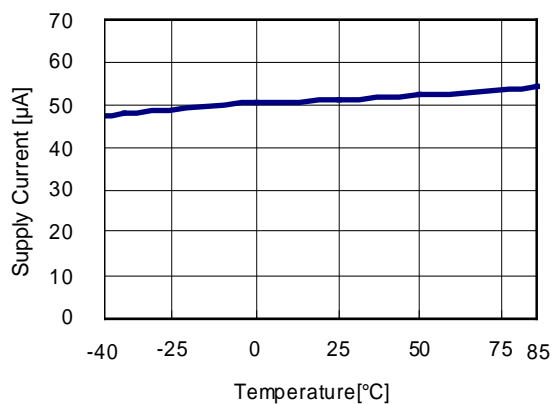
0.8V(VR1/VR2)



2.5V(VR1/VR2)

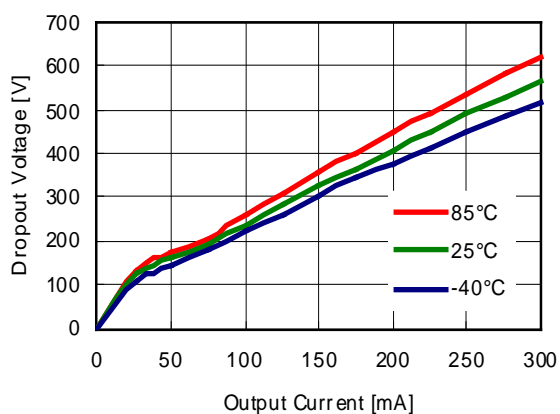


3.6V(VR1/VR2)

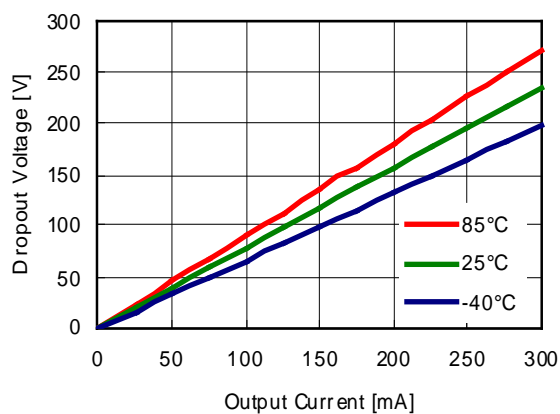


6) Dropout Voltage vs. Output Current ($C_{IN} = 1.0 \mu F$, $C_{OUT1} = C_{OUT2} = 1.0 \mu F$)

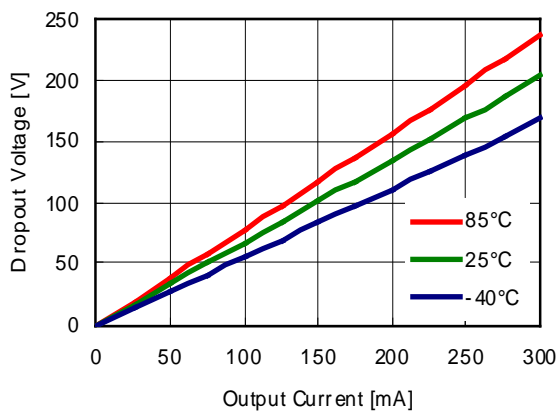
0.8V(VR1/VR2)



2.5V(VR1/VR2)

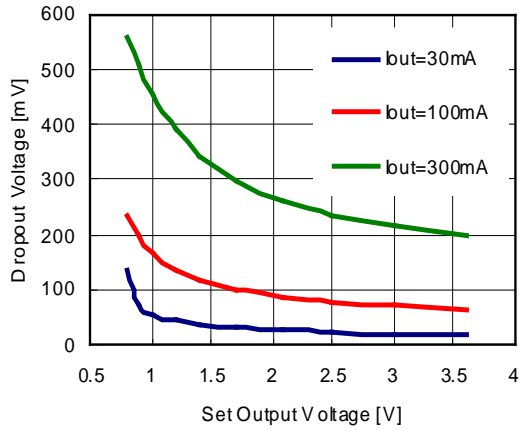


3.6V(VR1/VR2)



7) Dropout Voltage vs. Set Output Voltage

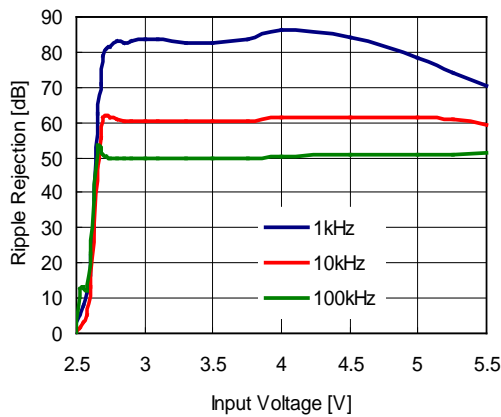
(VR1/VR2)



8) Ripple Rejection vs. Input Voltage ($C_{IN} = \text{none}$, $C_{OUT1} = C_{OUT2} = 1.0 \mu\text{F}$, Ripple = 0.2 Vp-p, $T_a = 25^\circ\text{C}$)

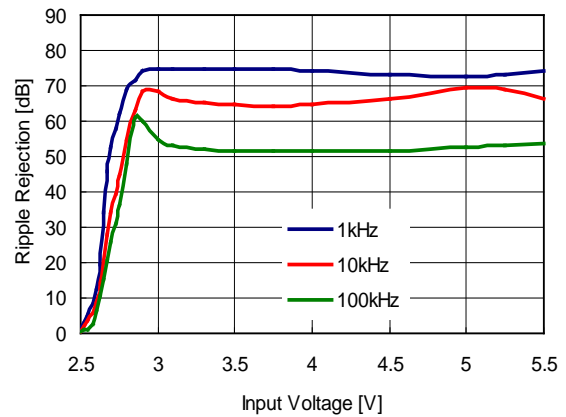
2.5V(VR1/VR2)

$I_{out}=1\text{mA}$



2.5V(VR1/VR2)

$I_{out}=30\text{mA}$

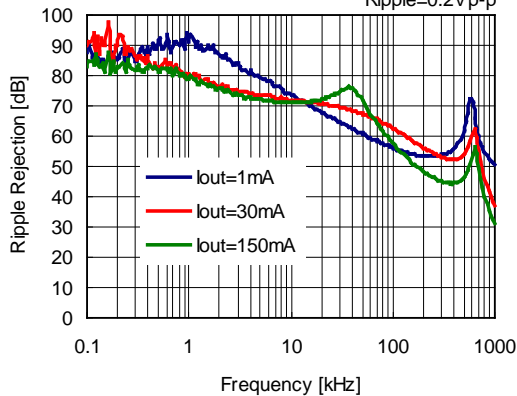


9) Ripple Rejection vs. Frequency ($C_{IN} = \text{none}$, $C_{OUT1} = C_{OUT2} = 1.0 \mu\text{F}$, $T_a = 25^\circ\text{C}$)

0.8V(VR1/VR2)

$V_{in}=3\text{V}$

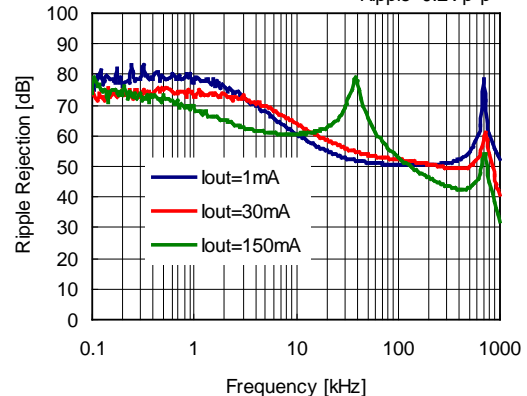
Ripple=0.2Vp-p

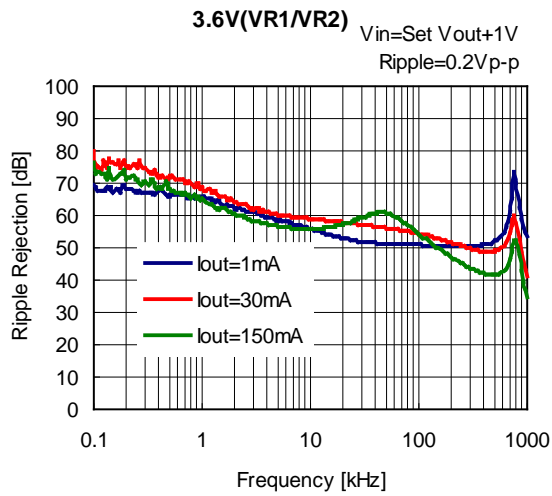


2.5V(VR1/VR2)

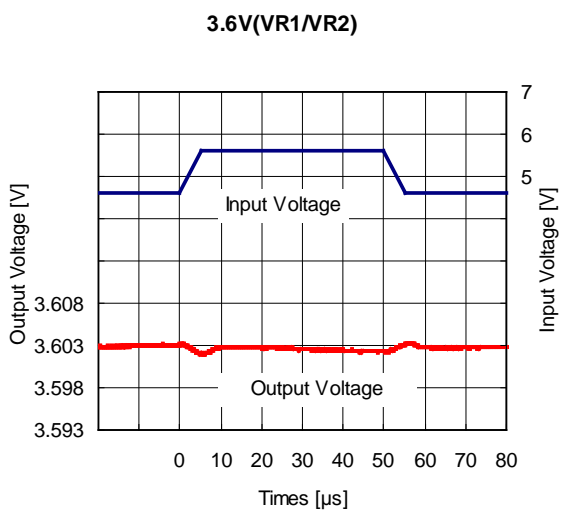
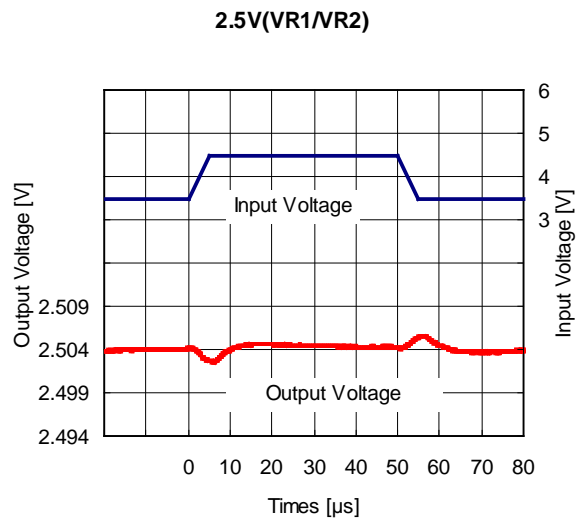
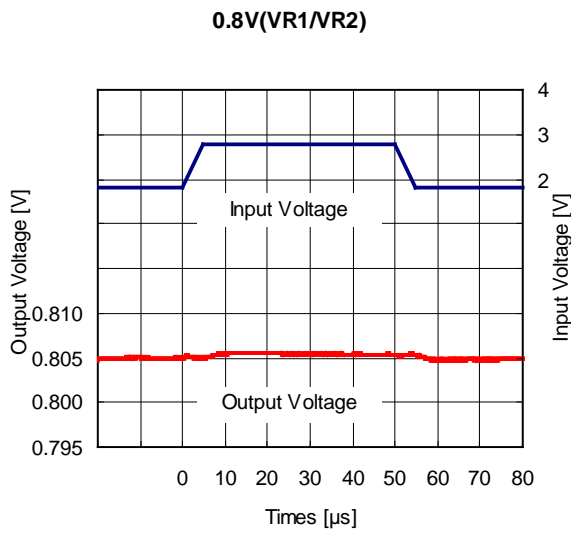
$V_{in}=\text{Set } V_{out}+1\text{V}$

Ripple=0.2Vp-p

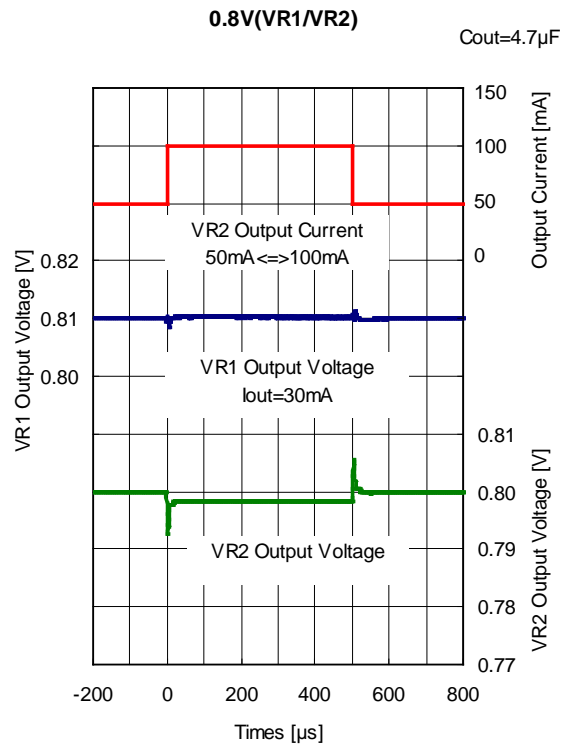
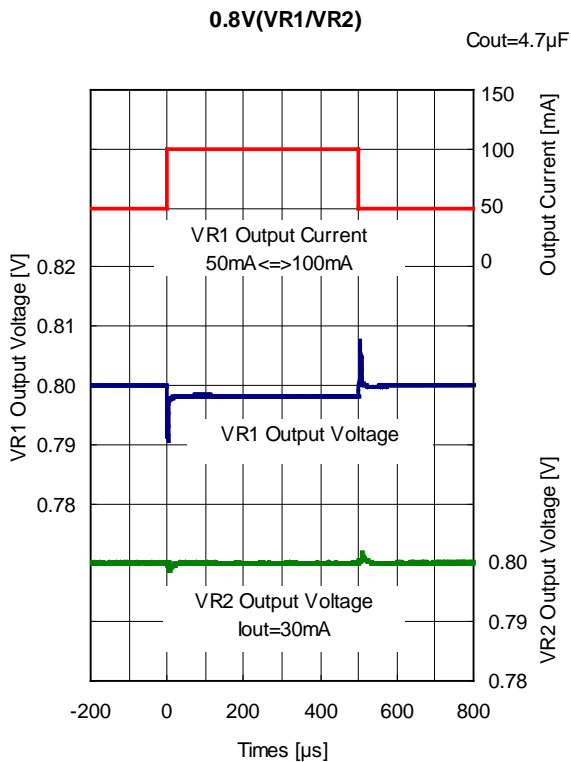
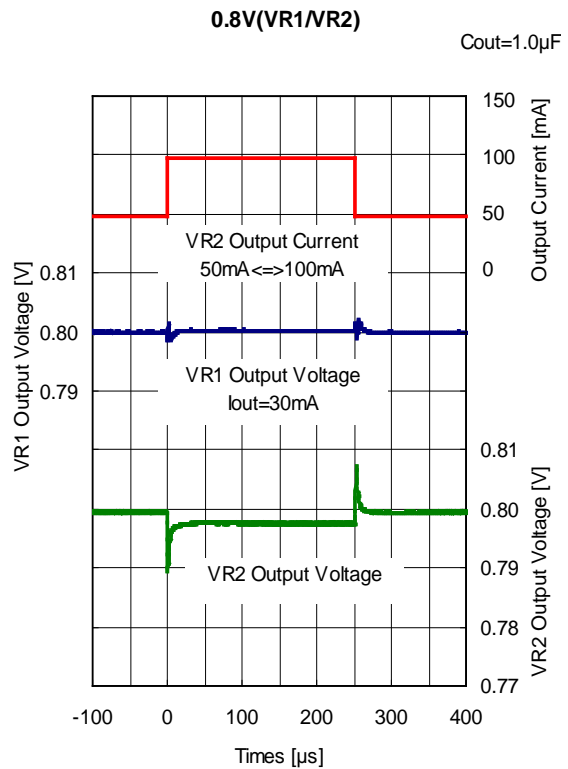
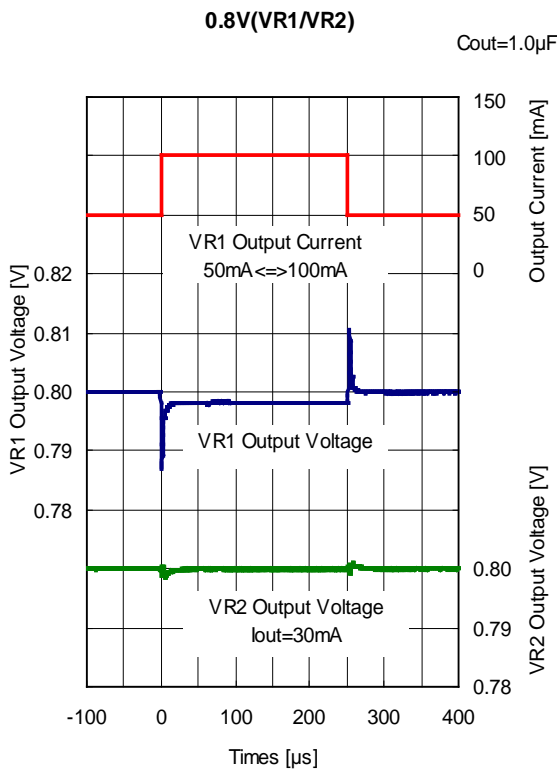


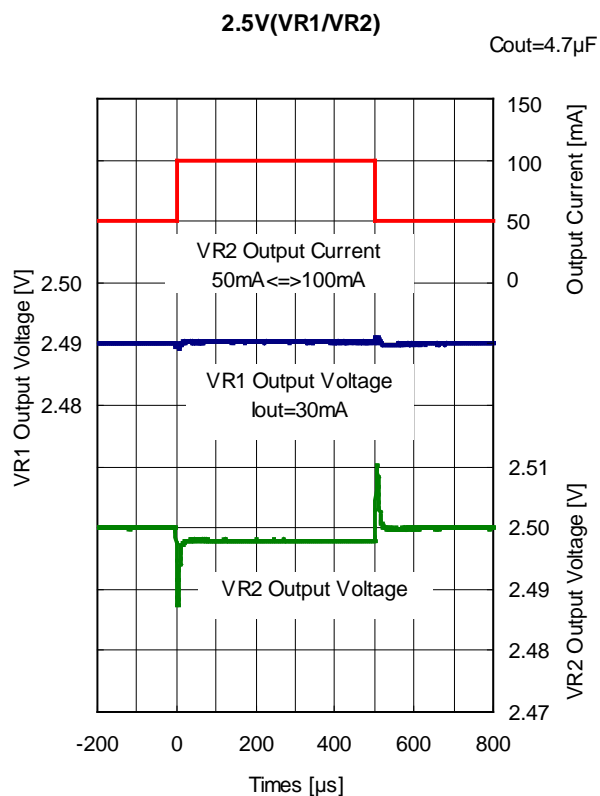
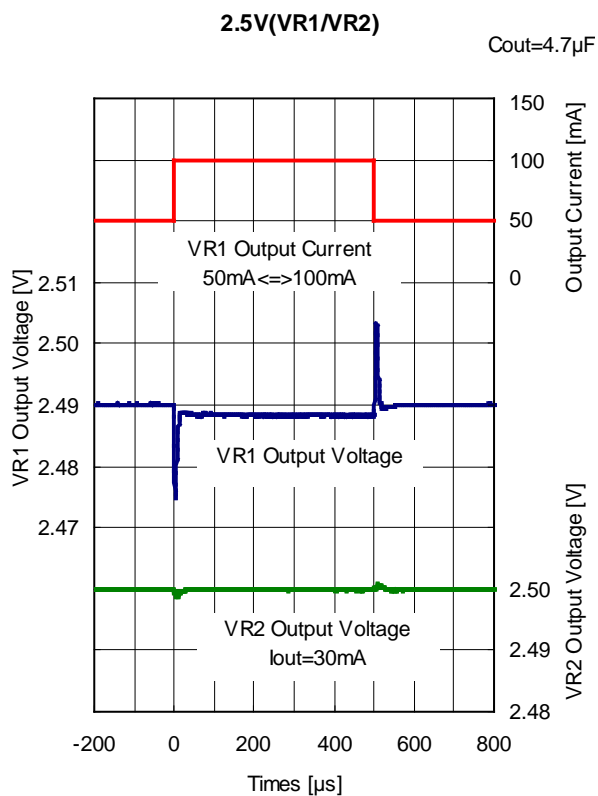
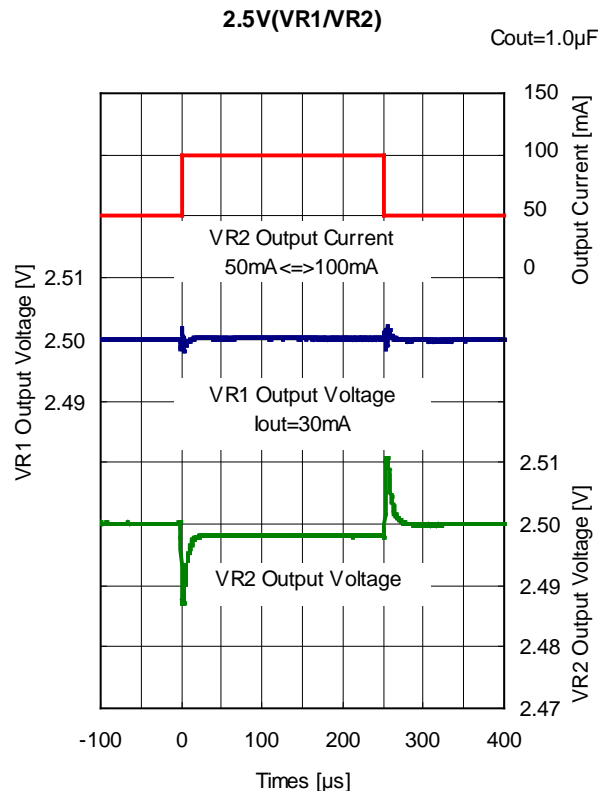
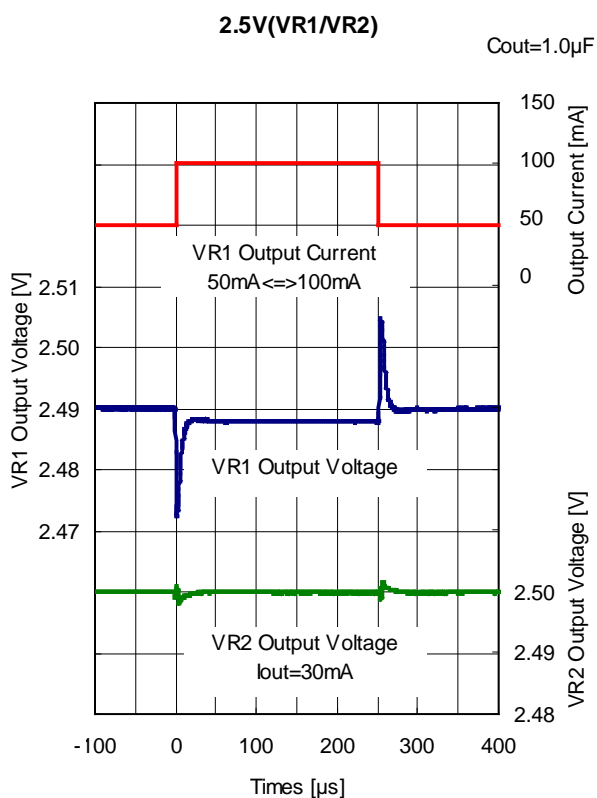


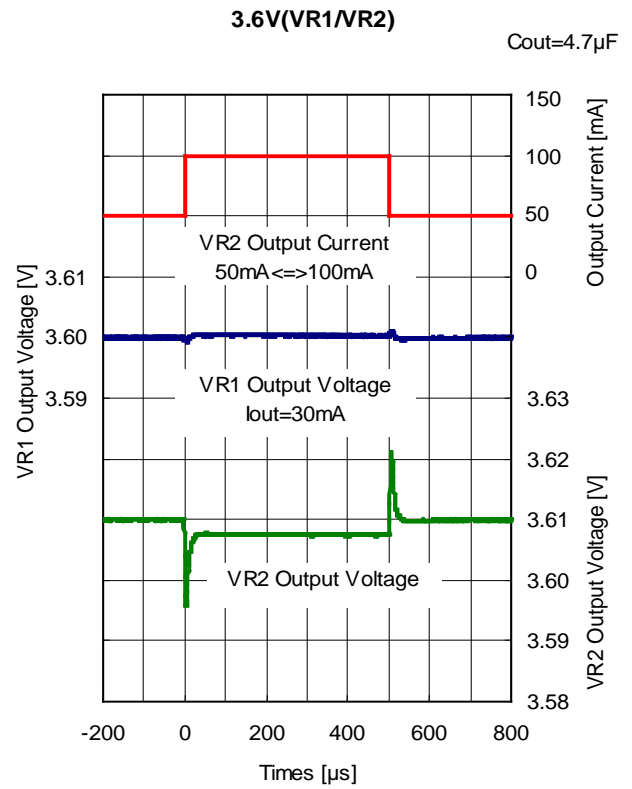
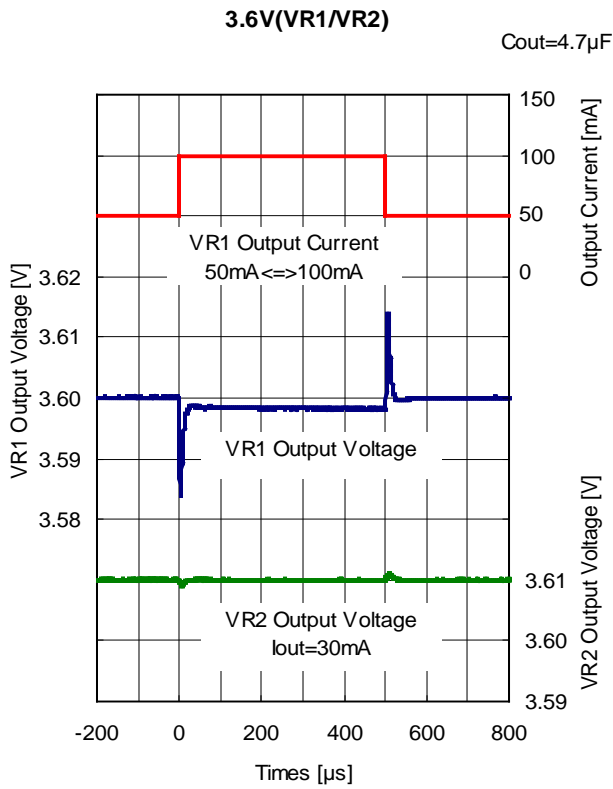
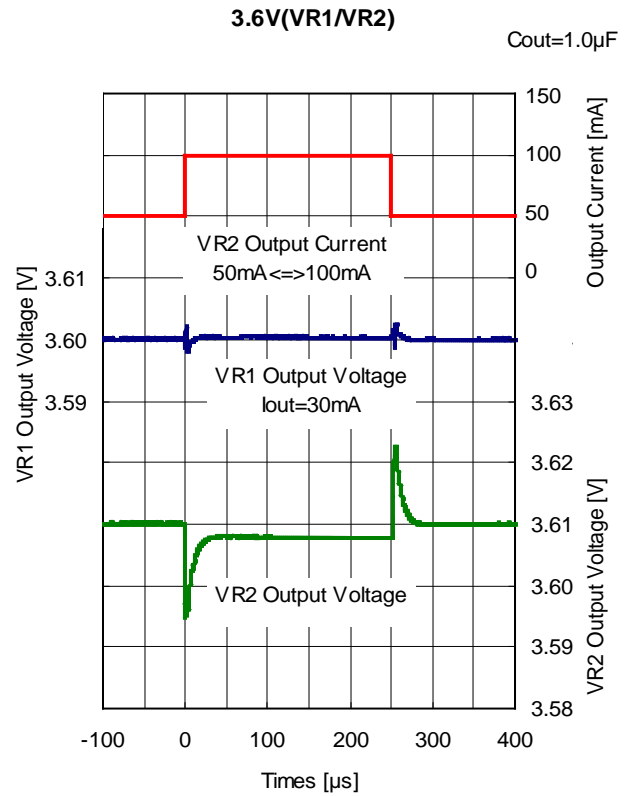
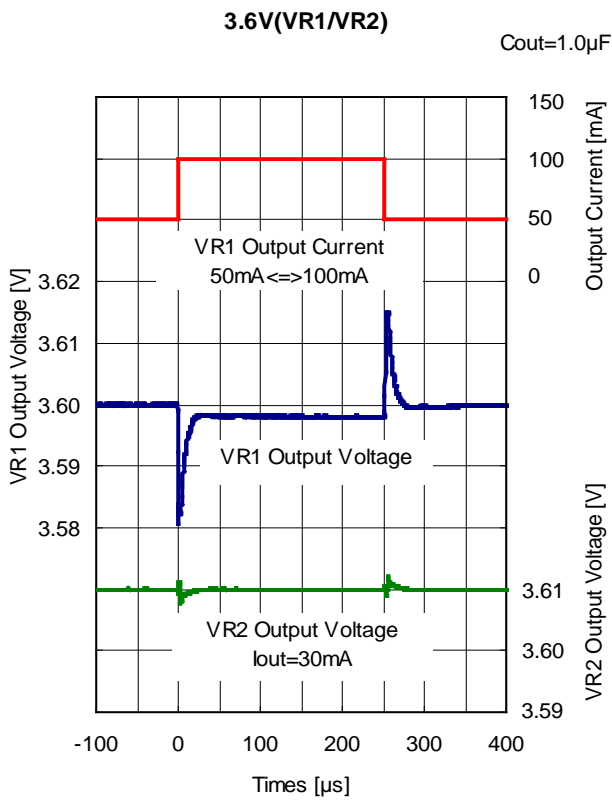
10) Input Transient Response ($C_{IN} = \text{none}$, $C_{OUT1} = C_{OUT2} = 1.0 \mu F$, $t_r = t_f = 5 \mu s$, $T_a = 25^\circ C$)

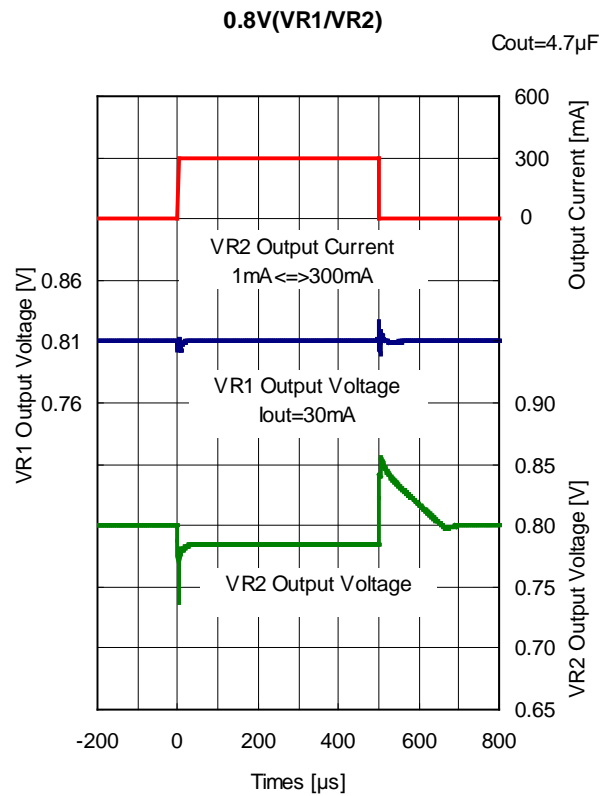
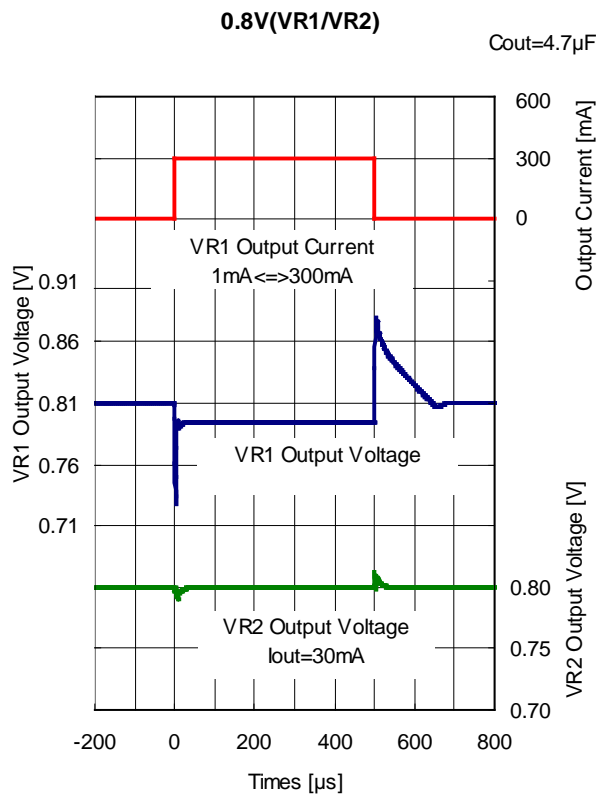
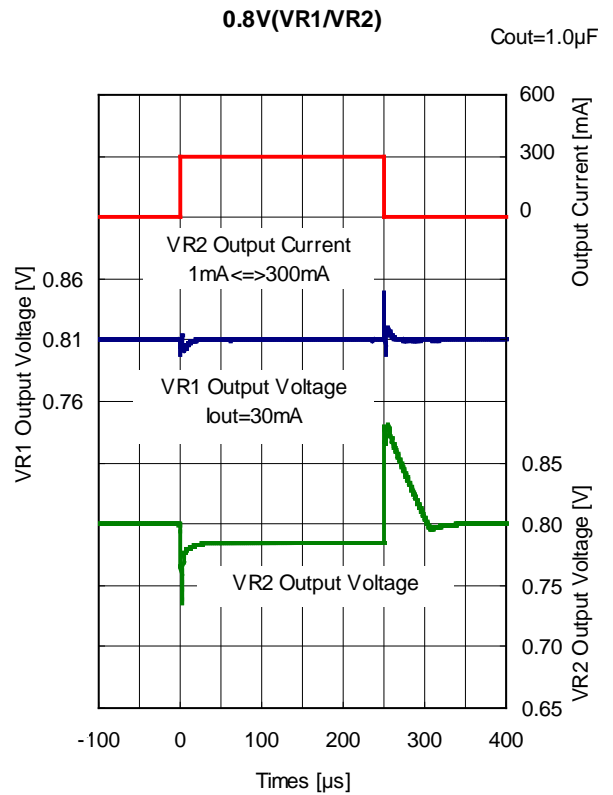
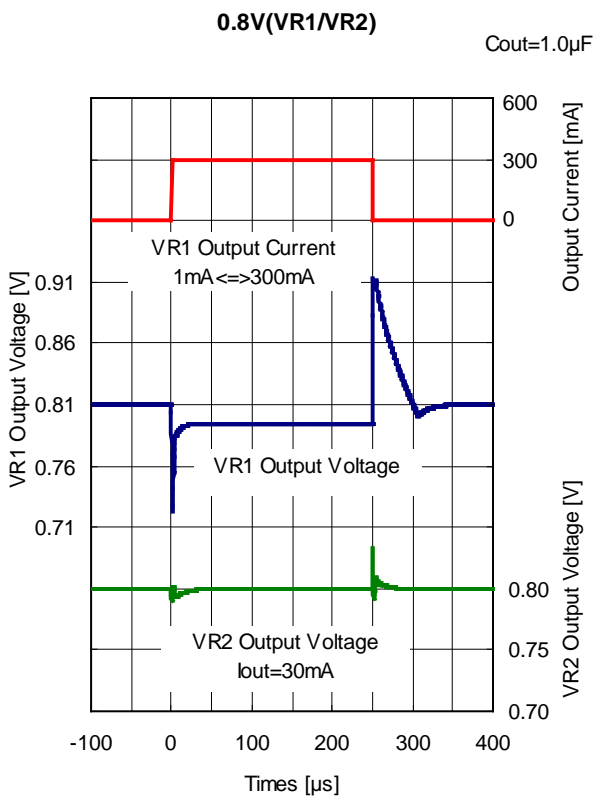


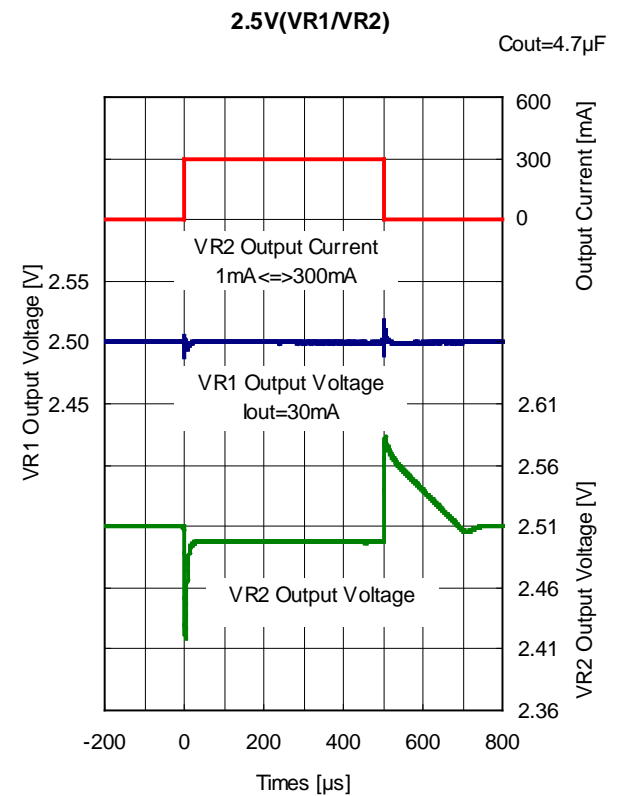
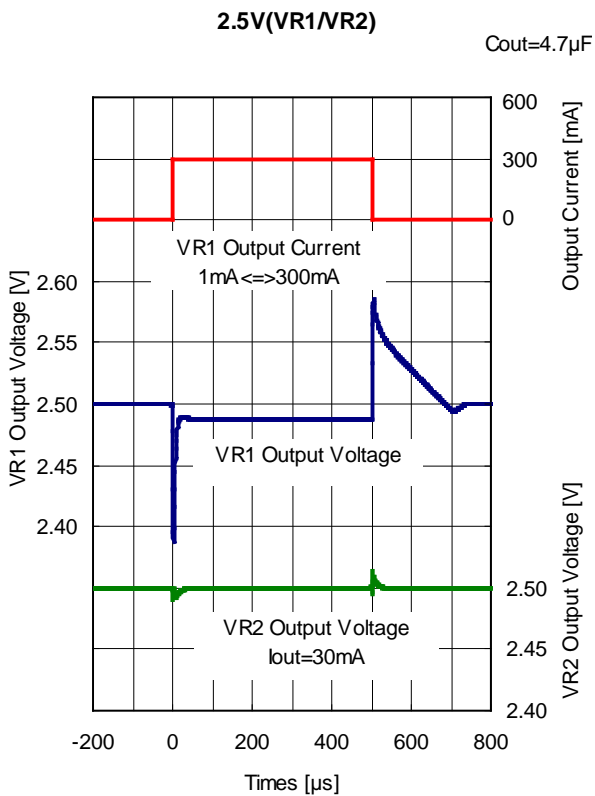
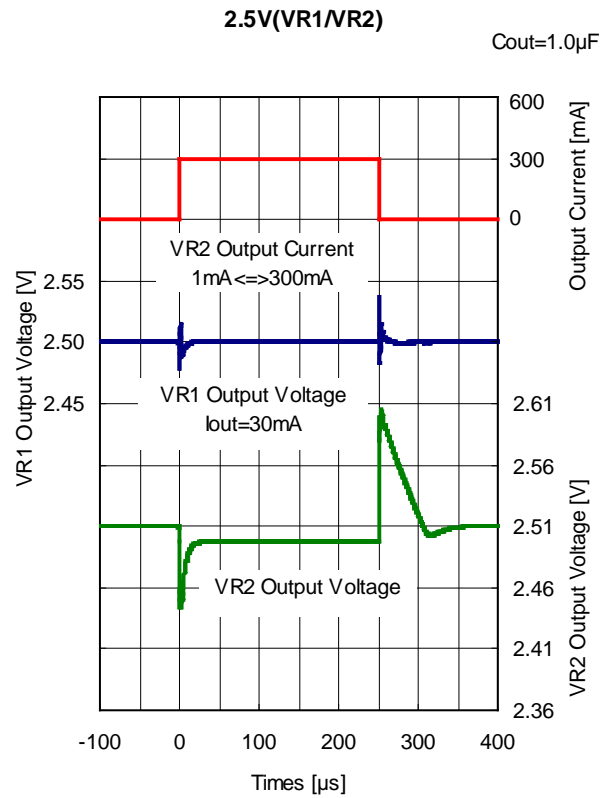
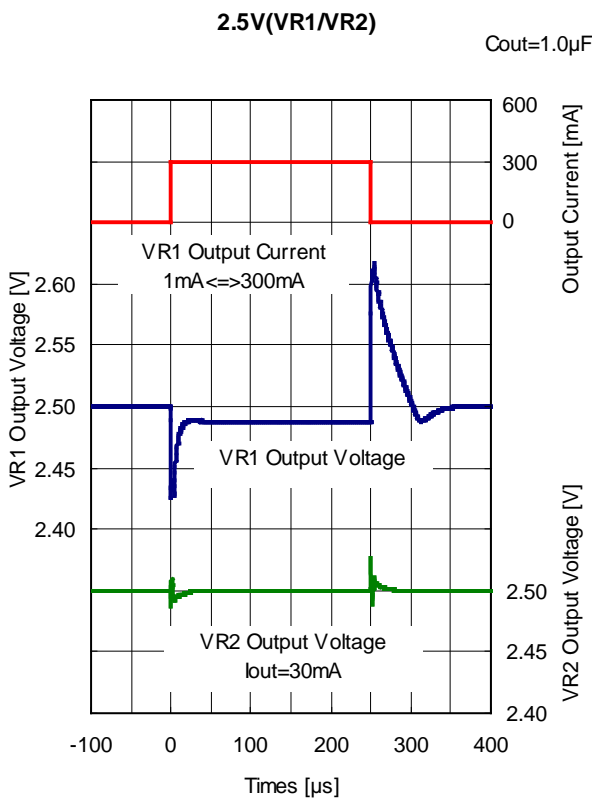
11) Load Transient Response ($C_{IN} = 1.0 \mu F$, $C_{OUT1} = C_{OUT2} = 1.0 \mu F$, $t_r = t_f = 0.5 \mu s$, $T_a = 25^\circ C$)

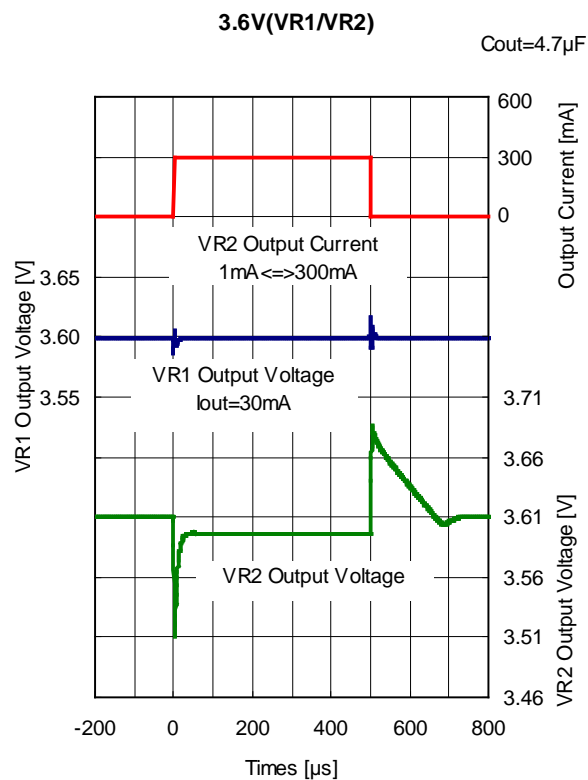
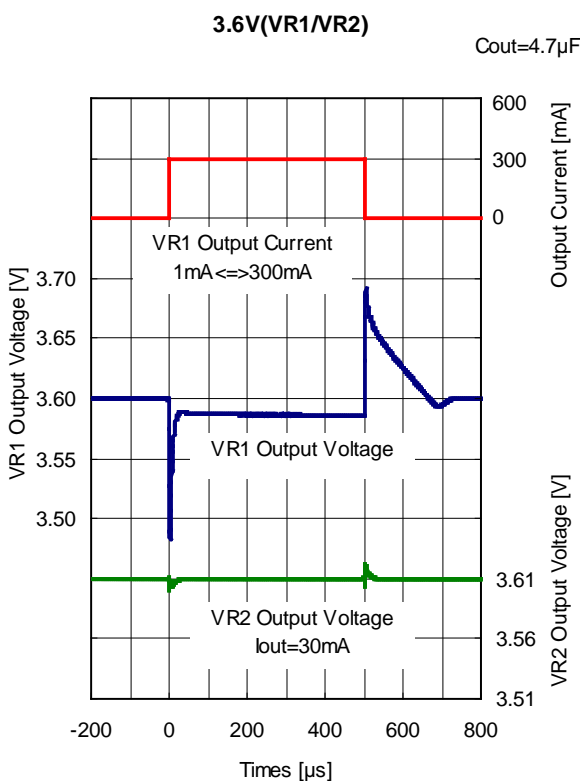
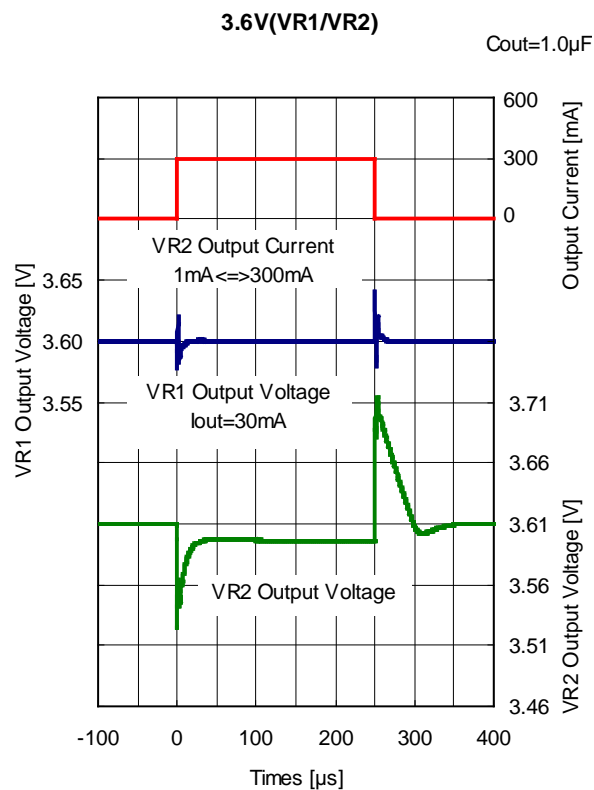
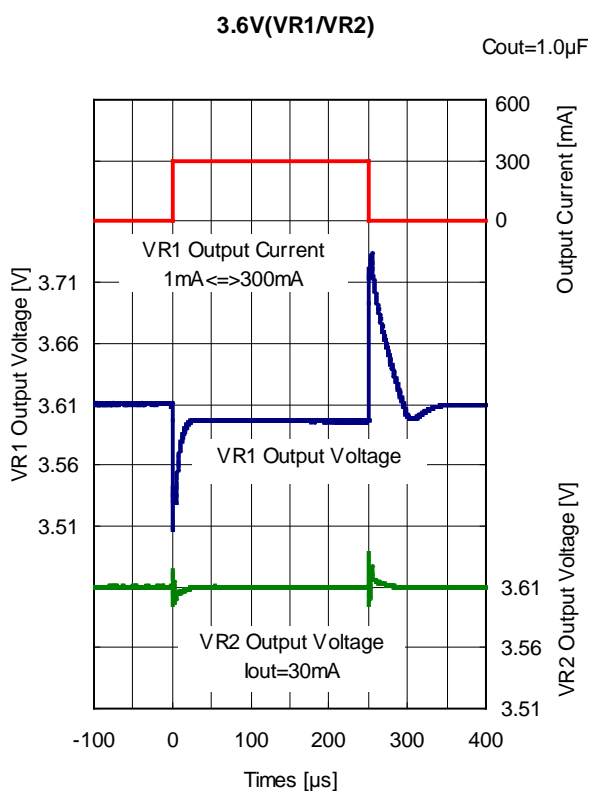






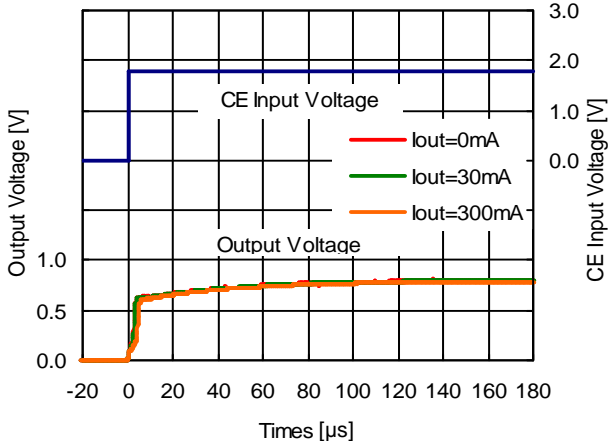




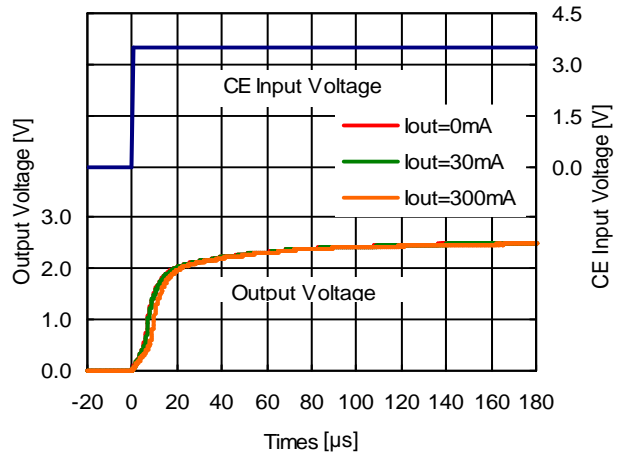


12) Turn On Speed with CE pin ($C_{IN} = 1.0 \mu F$, $C_{OUT1} = C_{OUT2} = 1.0 \mu F$, $T_a = 25^\circ C$)

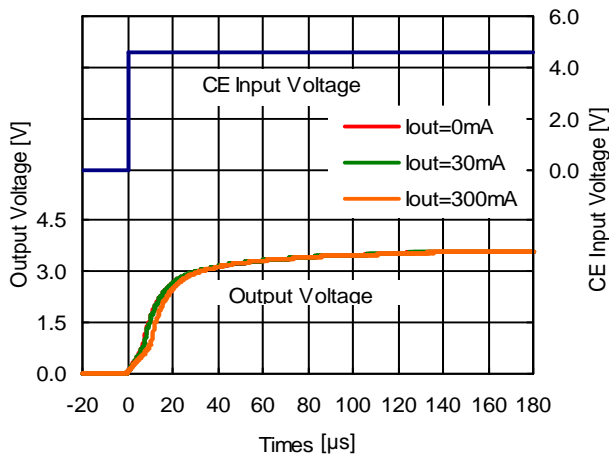
0.8V(VR1/VR2)



2.5V(VR1/VR2)

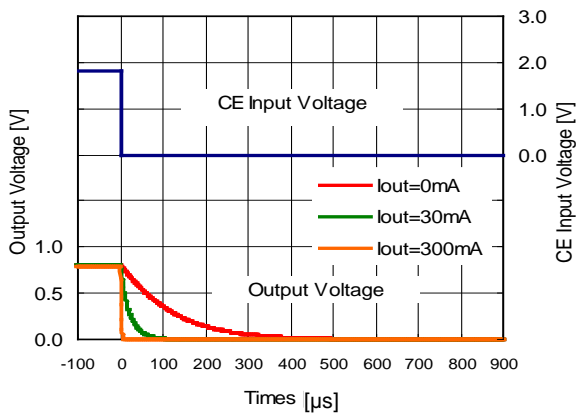


3.6V(VR1/VR2)

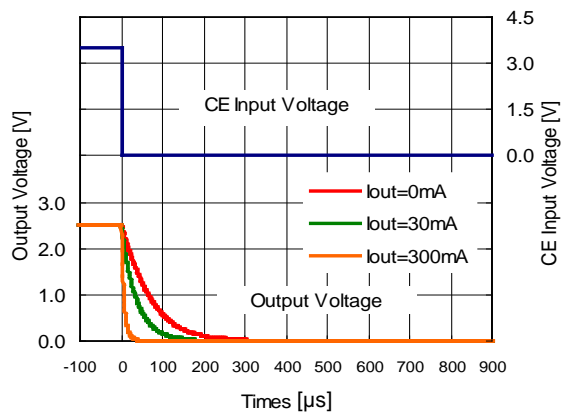


13) Turn Off Speed with CE pin (RP154xxxxB) ($C_{IN} = 1.0 \mu F$, $C_{OUT1} = C_{OUT2} = 1.0 \mu F$, $T_a = 25^\circ C$)

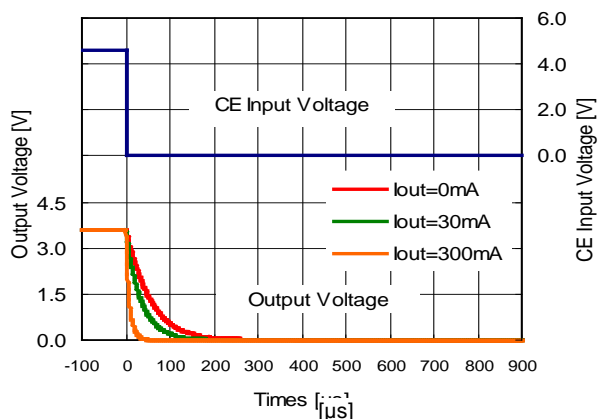
0.8V(VR1/VR2)



2.5V(VR1/VR2)

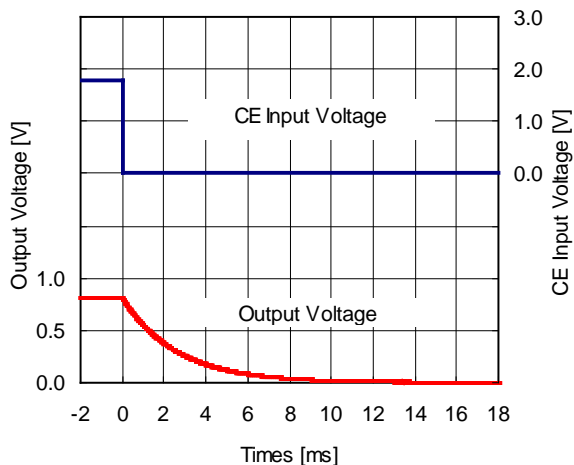


3.6V(VR1/VR2)

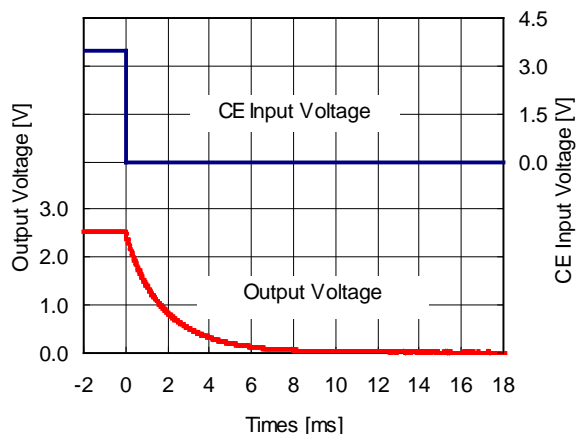


14) Turn Off Speed with CE pin (RP154xxxxA) (C_{IN} = 1.0 μF, C_{OUT1} = C_{OUT2} = 1.0 μF, I_{OUT} = 0 mA, Ta = 25°C)

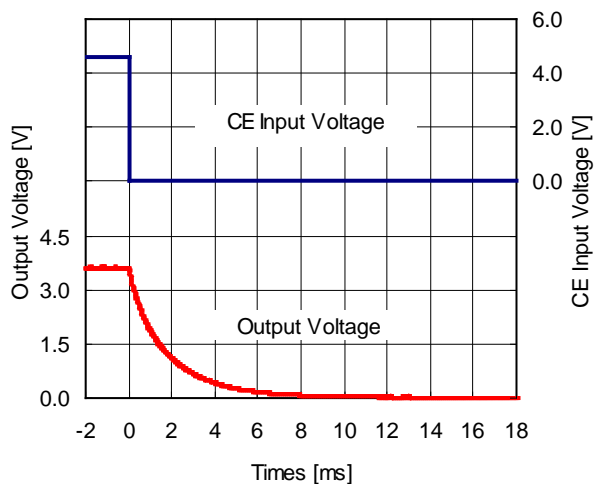
0.8V(VR1/VR2)



2.5V(VR1/VR2)



3.6V(VR1/VR2)



ESR vs. Output Current

When using these ICs, consider the following points:

The relations between I_{OUT} (Output Current) and ESR of an output capacitor are shown below.

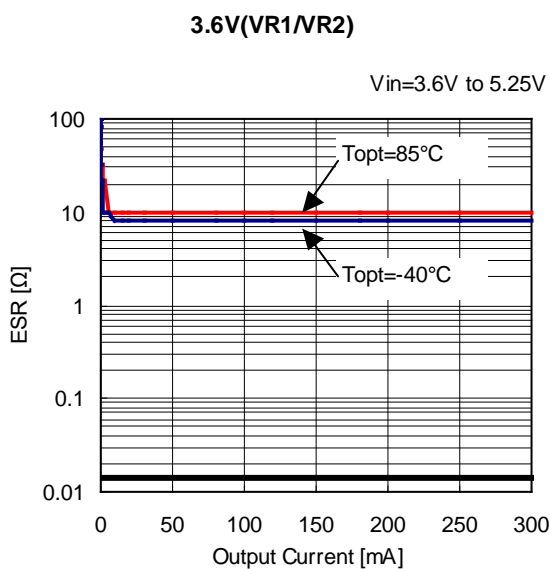
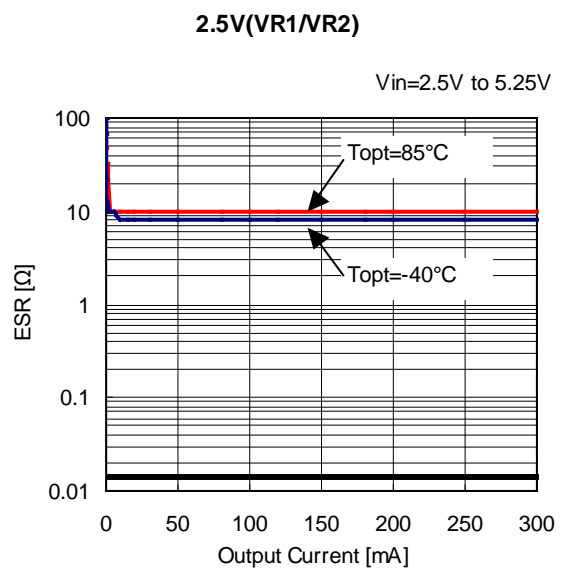
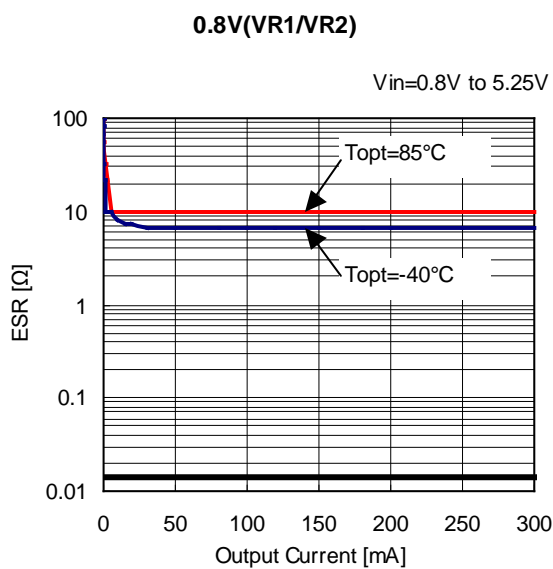
The conditions when the white noise level is under 40 μV (Avg.) are marked as the hatched area in the graph.

Measurement conditions

Frequency Band: 10 Hz to 2 MHz

Temperature: -40°C to 85°C

C_{IN} , C_{OUT1} , C_{OUT2} : 1.0 μF



The power dissipation of the package is dependent on PCB material, layout, and environmental conditions. The following measurement conditions are based on JEDEC STD. 51-7.

Measurement Conditions

Item	Measurement Conditions
Environment	Mounting on Board (Wind Velocity = 0 m/s)
Board Material	Glass Cloth Epoxy Plastic (Four-Layer Board)
Board Dimensions	76.2 mm × 114.3 mm × 0.8 mm
Copper Ratio	Outer Layer (First Layer): Less than 95% of 50 mm Square Inner Layers (Second and Third Layers): Approx. 100% of 50 mm Square Outer Layer (Fourth Layer): Approx. 100% of 50 mm Square
Through-holes	φ 0.2 mm × 15 pcs

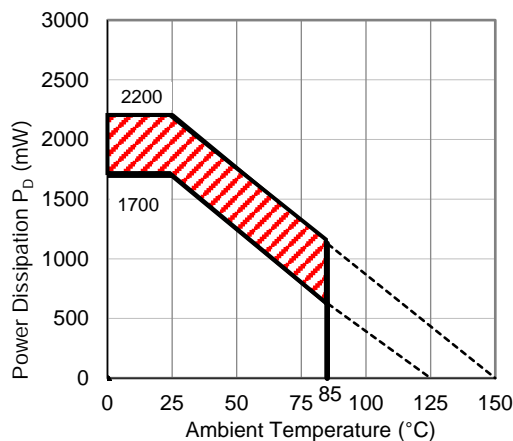
Measurement Result

(Ta = 25°C, Tjmax = 125°C)

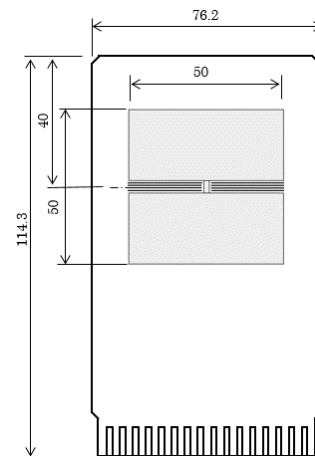
Item	Measurement Result
Power Dissipation	1700 mW
Thermal Resistance (θja)	θja = 56°C/W
Thermal Characterization Parameter (ψjt)	ψjt = 18°C/W

θja: Junction-to-Ambient Thermal Resistance

ψjt: Junction-to-Top Thermal Characterization Parameter



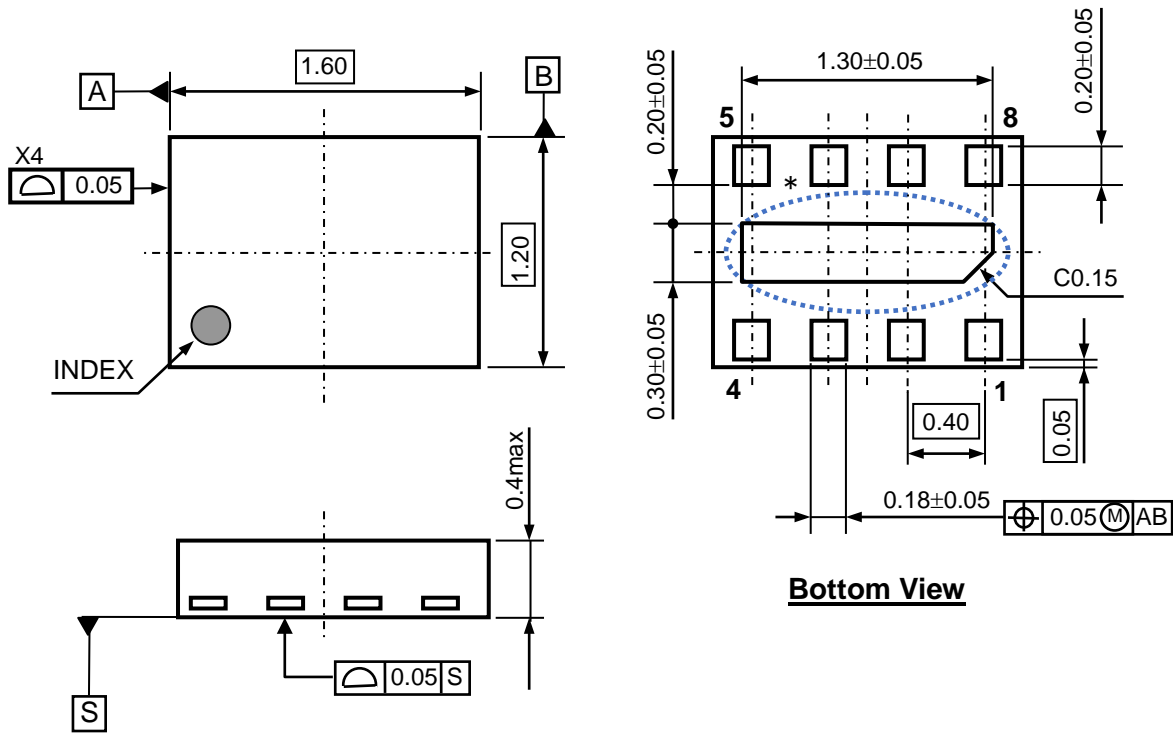
Power Dissipation vs. Ambient Temperature



Measurement Board Pattern

The above graph shows the power dissipation of the package at Tjmax = 125°C and Tjmax = 150°C. Operating the device in the hatched range might have a negative influence on its lifetime. The total hours of use and the total years of use must be limited as follows:

Total Hours of Use	Total Years of Use (4 hours/day)
13,000 hours	9 years



UNIT: mm

DFN1216-8 Package Dimensions

* The tab on the bottom of the package shown by blue circle is a substrate potential (GND). It is recommended that this tab be connected to the ground plane on the board but it is possible to leave the tab floating.

The power dissipation of the package is dependent on PCB material, layout, and environmental conditions. The following measurement conditions are based on JEDEC STD. 51-7.

Measurement Conditions

Item	Measurement Conditions
Environment	Mounting on Board (Wind Velocity = 0 m/s)
Board Material	Glass Cloth Epoxy Plastic (Four-Layer Board)
Board Dimensions	76.2 mm × 114.3 mm × 0.8 mm
Copper Ratio	Outer Layer (First Layer): Less than 95% of 50 mm Square Inner Layers (Second and Third Layers): Approx. 100% of 50 mm Square Outer Layer (Fourth Layer): Approx. 100% of 50 mm Square
Through-holes	φ 0.3 mm × 7 pcs

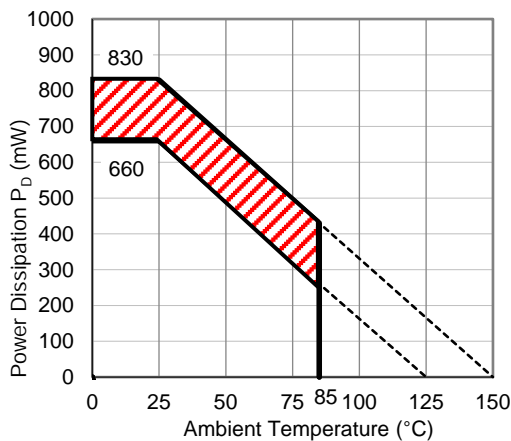
Measurement Result

(Ta = 25°C, Tjmax = 125°C)

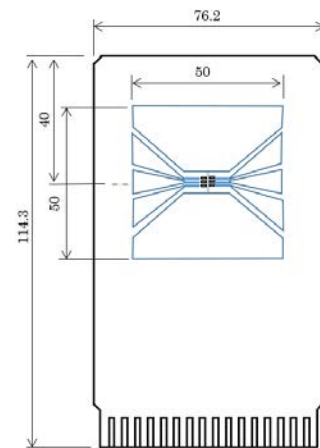
Item	Measurement Result
Power Dissipation	660 mW
Thermal Resistance (θja)	θja = 150°C/W
Thermal Characterization Parameter (ψjt)	ψjt = 51°C/W

θja: Junction-to-Ambient Thermal Resistance

ψjt: Junction-to-Top Thermal Characterization Parameter



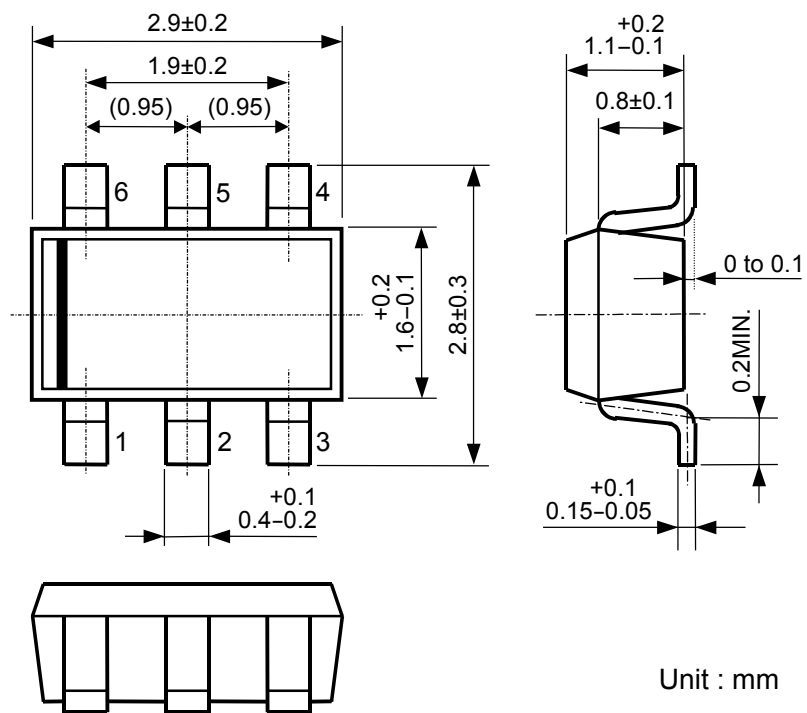
Power Dissipation vs. Ambient Temperature



Measurement Board Pattern

The above graph shows the power dissipation of the package at Tjmax = 125°C and Tjmax = 150°C. Operating the device in the hatched range might have a negative influence on its lifetime. The total hours of use and the total years of use must be limited as follows:

Total Hours of Use	Total Years of Use (4 hours/day)
13,000 hours	9 years



SOT-23-6 Package Dimensions



1. The products and the product specifications described in this document are subject to change or discontinuation of production without notice for reasons such as improvement. Therefore, before deciding to use the products, please refer to our sales representatives for the latest information thereon.
2. The materials in this document may not be copied or otherwise reproduced in whole or in part without prior written consent of our company.
3. Please be sure to take any necessary formalities under relevant laws or regulations before exporting or otherwise taking out of your country the products or the technical information described herein.
4. The technical information described in this document shows typical characteristics of and example application circuits for the products. The release of such information is not to be construed as a warranty of or a grant of license under our company's or any third party's intellectual property rights or any other rights.
5. The products listed in this document are intended and designed for use as general electronic components in standard applications (office equipment, telecommunication equipment, measuring instruments, consumer electronic products, amusement equipment etc.). Those customers intending to use a product in an application requiring extreme quality and reliability, for example, in a highly specific application where the failure or misoperation of the product could result in human injury or death (aircraft, spacevehicle, nuclear reactor control system, traffic control system, automotive and transportation equipment, combustion equipment, safety devices, life support system etc.) should first contact us.
6. We are making our continuous effort to improve the quality and reliability of our products, but semiconductor products are likely to fail with certain probability. In order to prevent any injury to persons or damages to property resulting from such failure, customers should be careful enough to incorporate safety measures in their design, such as redundancy feature, fire containment feature and fail-safe feature. We do not assume any liability or responsibility for any loss or damage arising from misuse or inappropriate use of the products.
7. Anti-radiation design is not implemented in the products described in this document.
8. The X-ray exposure can influence functions and characteristics of the products. Confirm the product functions and characteristics in the evaluation stage.
9. WLCSP products should be used in light shielded environments. The light exposure can influence functions and characteristics of the products under operation or storage.
10. There can be variation in the marking when different AOI (Automated Optical Inspection) equipment is used. In the case of recognizing the marking characteristic with AOI, please contact our sales or our distributor before attempting to use AOI.
11. Please contact our sales representatives should you have any questions or comments concerning the products or the technical information.



Nisshinbo Micro Devices Inc.

Official website

<https://www.nisshinbo-microdevices.co.jp/en/>

Purchase information

<https://www.nisshinbo-microdevices.co.jp/en/buy/>

