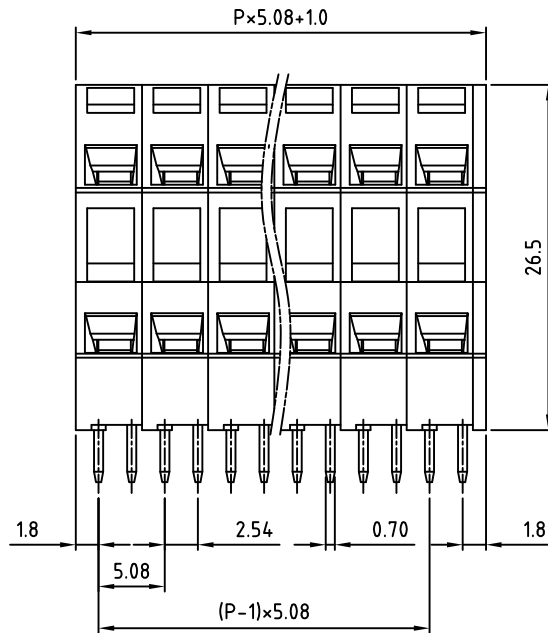
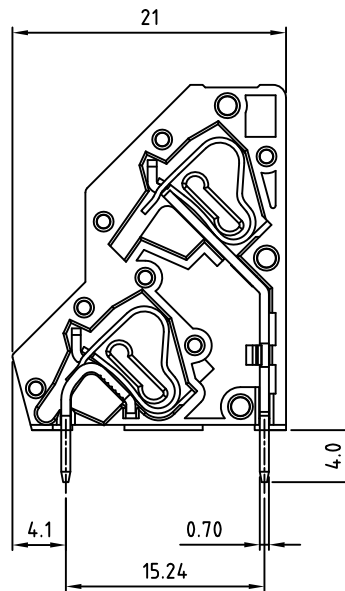


SIGN	DATE	DESCRIPTION	APPROVER
	2015.04.08	Corrected PCB layout	

THIS IS CAD DRAWING, DO NOT REVISE MANUALLY!!!



P=1/2Number of Poles



Material:

- Terminal body
- (Contact pin): Brass
- Wire guard: Stainless steel
- Surface of solder tail: Tin plated
- Insulator(housing): Thermoplastic (UL94V-0)

Electrical:

- Voltage rating: 300V
- Current rating: 10A
- Wire range:
 - Solid wire(AWG): 12-28
 - Stranded wire(AWG): 12-28
- Wire strip length: 5-6mm
- Withstanding Voltage: 1.6KV
- Operating temperature: -30°C to +105°C
- Soldering temperature: 245°C±10°C/5 Sec

RoHS Compliant

PART NUMBER:

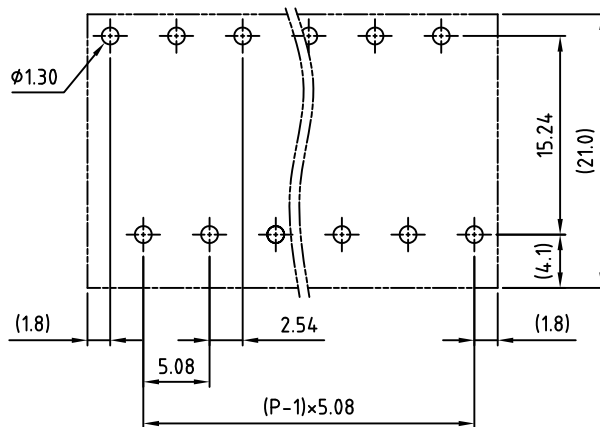
OSTHQXX3081

No. of Poles

- 04: 2x02 Poles
- 06: 2x03 Poles
- :
- 48: 2x24 Poles

COLOR

- 0: Black
- 5: Green
- 6: Blue
- 8: Grey (Standard)



PCB Layout
(top view)

Poles	Tolerance
2P-5P	±0.30
6P-9P	±0.40
10P-13P	±0.50
14P-17P	±0.60
18P-21P	±0.70
22P-24P	±0.80

THESE DRAWINGS AND SPECIFICATIONS ARE THE PROPERTY OF ON-SHORE TECHNOLOGY, INC. AND SHALL NOT BE REPRODUCED, COPIED OR USED IN ANY MANNER WITHOUT THE PRIOR WRITTEN CONSENT OF ON-SHORE TECHNOLOGY, INC.



TITLE		OSTHQ 5.08mm Series (Solder pins staggered by half the pin spacing)				
PART NO.	OSTHQXX3081	DWG NO.	OSTHQXX3081.DWG			
APPROVED	CHECKED	DESIGNED	DRAWN	CUST NO.	Tolerance	
		Tony 2006.07.18	Tony 2006.07.18		X.	±0.50
					X.X	±0.30
					X.XX	±0.10
					X°	±1°
				SHEET: 01/01	UNIT: mm	
					SCALE: NONE	
					REV: B	