

## Features

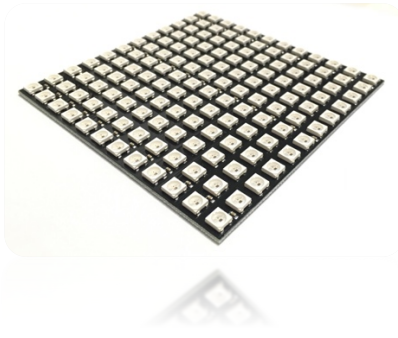
- 12 x 12 LED Matrix
- Single Line Data Transmission
- Specific Shaping Transmit Technology
- PWM Control
- Stackable Up to 4 Modules
- Easy to Use Plug and Play

## Description

12 x 12 Digital LED Matrix is a compact, easy to use smart display. It is capable of displaying different language characters as well as many unique symbols. The INCM88001 is also stackable to make a larger matrix to showcase additional information.

## Applications

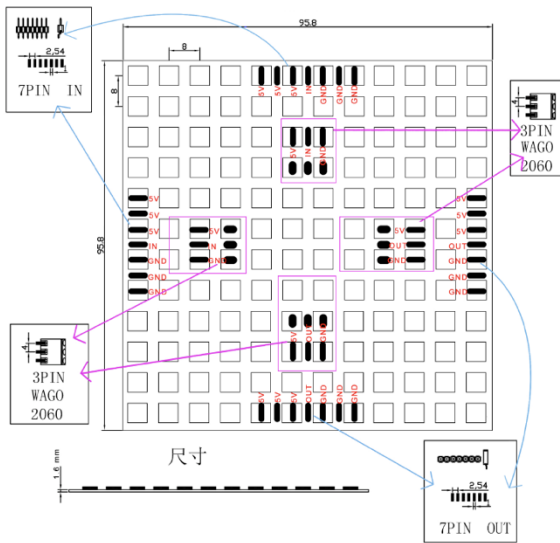
- Indoor Display
- Information Signage
- DIY Devices



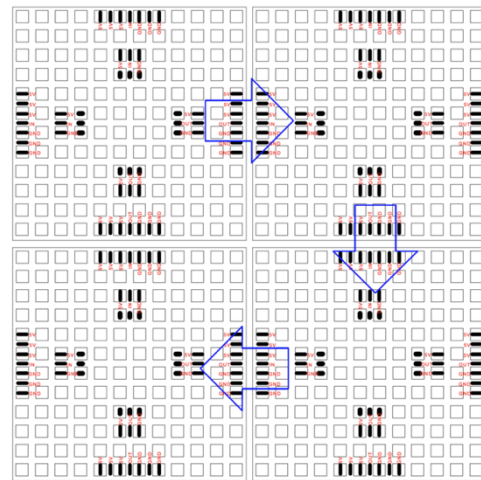
## Key Specifications

LED Component	Inolux IN-PI554FCH
LED Count	144
Board Material	FR4
Color	Red / Green / Blue
Operating temperature	-45°C~+85°C
Dimension	95.8 x 95.8 x 1.6 mm
Input voltage	DC 4.5 V~5.3 V
LED Pitch	8.0 mm
Grey Scale Level	256
Data Transfer Rate	800 Kbp/s at 30 frames per second
Compatible Connector	3PIN WAGO 2060 P2.54mm 7Pin header / connector

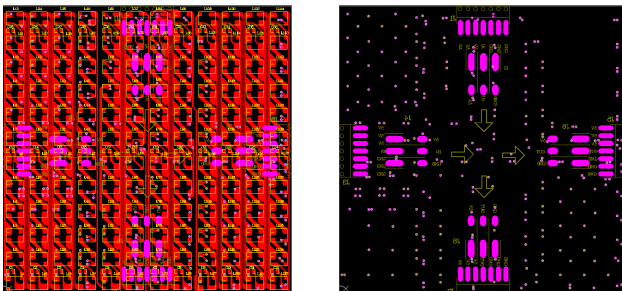
## Dimensions



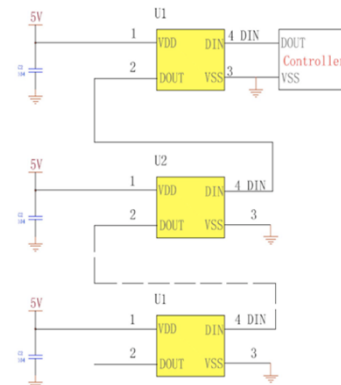
## Stacking Method



## Gerber Details (detail files available upon request)



## LED Connection Scheme



\*For further LED Controlling details, please refer to the IN-PI554FCH datasheet.