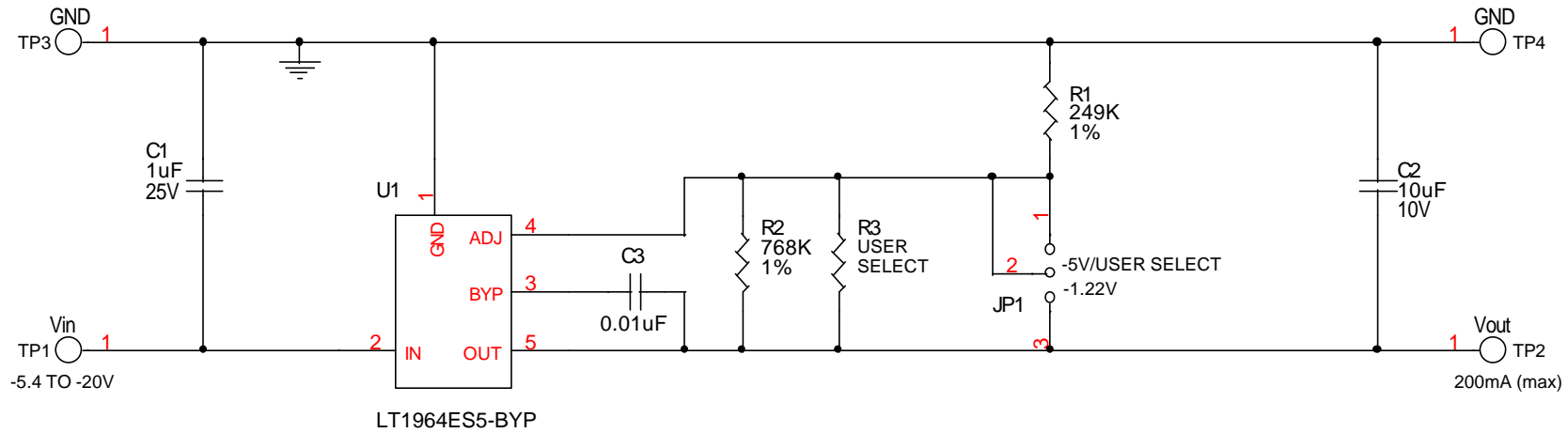
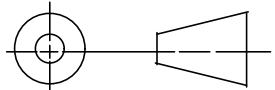



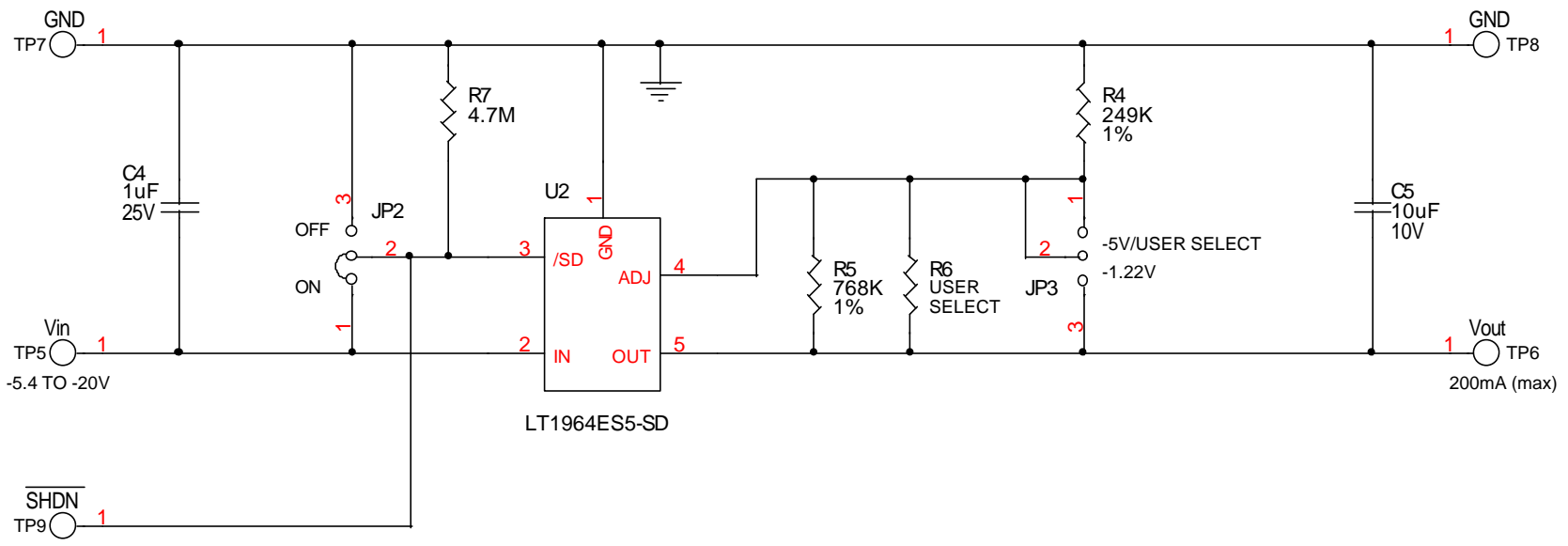
REVISION HISTORY

ECO	REV	DESCRIPTION	DATE	APPROVED
0	2	PROTO	09-19-01	>

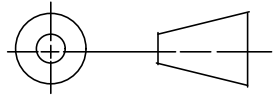


UNLESS OTHERWISE SPECIFIED DIMENSIONS ARE IN INCHES TOLERANCE ON ANGLE --- 2 PLACES --- 3 PLACES --- INTERPRET DIM AND TOL PER ASME Y14.5M -1994 THIRD ANGLE PROJECTION 	CONTRACT NO.		 1630 McCarthy Blvd Milpitas, CA 95035 Phone: (408)432-1900 Fax: (408)434-0507		
	APPROVALS	DATE			
	DRAWN MEI	06-05-01	TITLE		
	CHECKED		LT1964 NEGATIVE LOW NOISE LDO REGULATOR 200mA		
APPROVED		SIZE	CAGE CODE	DWG NO	
ENGINEER		A		DC437A	
DESIGNER				REV	
				2	
DO NOT SCALE DRAWING	Wednesday, September 26, 2001	SCALE: NONE	FILENAME: 437A-2.PCB	SHEET 1 OF 2	

REVISION HISTORY				
ECO	REV	DESCRIPTION	DATE	APPROVED
0	2	PROTO	09-19-01	>



UNLESS OTHERWISE SPECIFIED
 DIMENSIONS ARE IN INCHES
 TOLERANCE ON ANGLE ---
 2 PLACES --- 3 PLACES ---
 INTERPRET DIM AND TOL
 PER ASME Y14.5M -1994



DO NOT SCALE DRAWING

CONTRACT NO.	
APPROVALS	DATE
DRAWN MEI	06-13-01
CHECKED	
APPROVED	
ENGINEER	
DESIGNER	
Wednesday, September 26, 2001	



1630 McCarthy Blvd
 Milpitas, CA 95035
 Phone: (408)432-1900
 Fax: (408)434-0507

TITLE LT1964 NEGATIVE LOW NOISE LDO REGULATOR 200mA			
SIZE A	CAGE CODE	DWG NO DC437A-2	REV 2
SCALE: NONE	FILENAME: 437A-2.PCB	SHEET 2	OF 2