



LAYOUT SHOWN AS EXAMPLE

Keying Shown as example

CHARACTERISTICS

- Standard : Based on MIL-DTL-38999 Series III
- Shell Material : Stainless Steel
- Shell Plating : Nickel
- Insulator : Thermoplastic
- Contacts : Copper Alloy
- Seals & Grommet : Silicon Elastomer
- Contact Plating : Gold over copper Alloy 0.8µm minimum
- Durability : 500 Mating cycles
- Delivered without Souriau contacts
- Temperature Range : -65°C to +200°C
- Salt Spray : 500 hours

| Connector dimension | |
|---------------------|-----------------|
| Dim | Nominal |
| A | 55.6±0.3 |
| B | 39.67+0.1/-0.15 |
| R | 32.5Max |
| S | 52.4±0.4 |
| W | 3+0.9/-0.1 |
| VV THREAD | M34x1-6g |

SOURIAU shall not be liable for any non-conformity or damage due to a use of the Products which does not comply with the Specifications issued by either of the Parties or by a third party (professional recommendation, technical notice.)

| | |
|---------|-----------------------------|
| Country | Jurisdiction & Control List |
| FR | Not Listed |

PN: 8D723S06SCL

| | | | |
|----------------|---|--------------------------------|---|
| A | 30-09-2016 | First Release | |
| ISS | DATE | Latest modification - by | MOD N° |
| Designed By: | | Date: | CUSTOMER DRAWING |
| TITLE | Stainless Steel Receptacle 8D series | | |
| SCALE | NA | General linear Tolerances: ±-- | NPRDS / PROJECT 859 |
| SOURIAU | WWW.SOURIAU.COM | | This document is the property of SOURIAU it must not be reproduced or communicated without permission |
| FORMAT | A3 | | SOURIAU DRG N° 8D723S06SCL-C |
| | | | SHEET 1/2 |

| | | | | | | | | | | |
|----------------|------------------------|---|---|----|---|----|---|---|---|------------------------------------|
| BASIC SERIES: | 8D | 7 | - | 23 | S | 06 | S | C | L | Delivered W/O Contacts |
| SHELL TYPE : | Jam nut Receptacle | | | | | | | | | ORIENTATION : C |
| CONTACT TYPE : | Standard Crimp Contact | | | | | | | | | CONTACT TYPE : SOCKET(500 Matings) |
| SHELL SIZE : | 23 | | | | | | | | | CONTACT LAYOUT : 23-06 |
| PLATING : | S = Nickel | | | | | | | | | |

Contact Layout

06

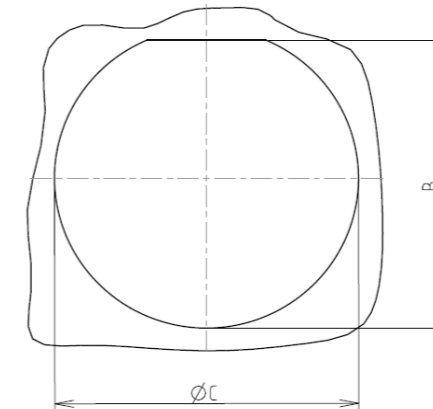


6#8 Concentric
Twinax
Service M

| 23-06 | | |
|-------|-------|-------|
| Ctc | X | Y |
| A | 0 | 9.24 |
| B | 8.81 | 2.87 |
| C | 5.43 | -7.49 |
| D | -5.43 | -7.49 |
| E | -8.81 | 2.87 |
| F | 0 | 0 |

Panel cutout

JAM NUT RECEPTACLE (TYPE 7)



| Dim | Nominal |
|-----|---------------|
| B | 40.26+0/-0.25 |
| ØC | 41.53+0.25/-0 |

SOURIAU shall not be liable for any non-conformity or damage due to a use of the Products which does not comply with the Specifications issued by either of the Parties or by a third party (professional recommendation, technical notice.)

| Country | Jurisdiction & Control List |
|---------|-----------------------------|
| FR | Not Listed |

PN: 8D723S06SCL

| | | | |
|----------------|---|----------------------------|---|
| A | 30-09-2016 | First Release | |
| ISS | DATE | Latest modification - by | MOD N° |
| Designed By: | | Date: | CUSTOMER DRAWING |
| TITLE | Stainless Steel Receptacle 8D series | | |
| SCALE | | General linear Tolerances: | NPRDS / PROJECT |
| NA | | ±-- | 859 |
| SOURIAU | WWW.SOURIAU.COM | | This document is the property of SOURIAU it must not be reproduced or communicated without permission |
| FORMAT | SOURIAU DRG N° 8D723S06SCL-C | | SHEET 2/2 |