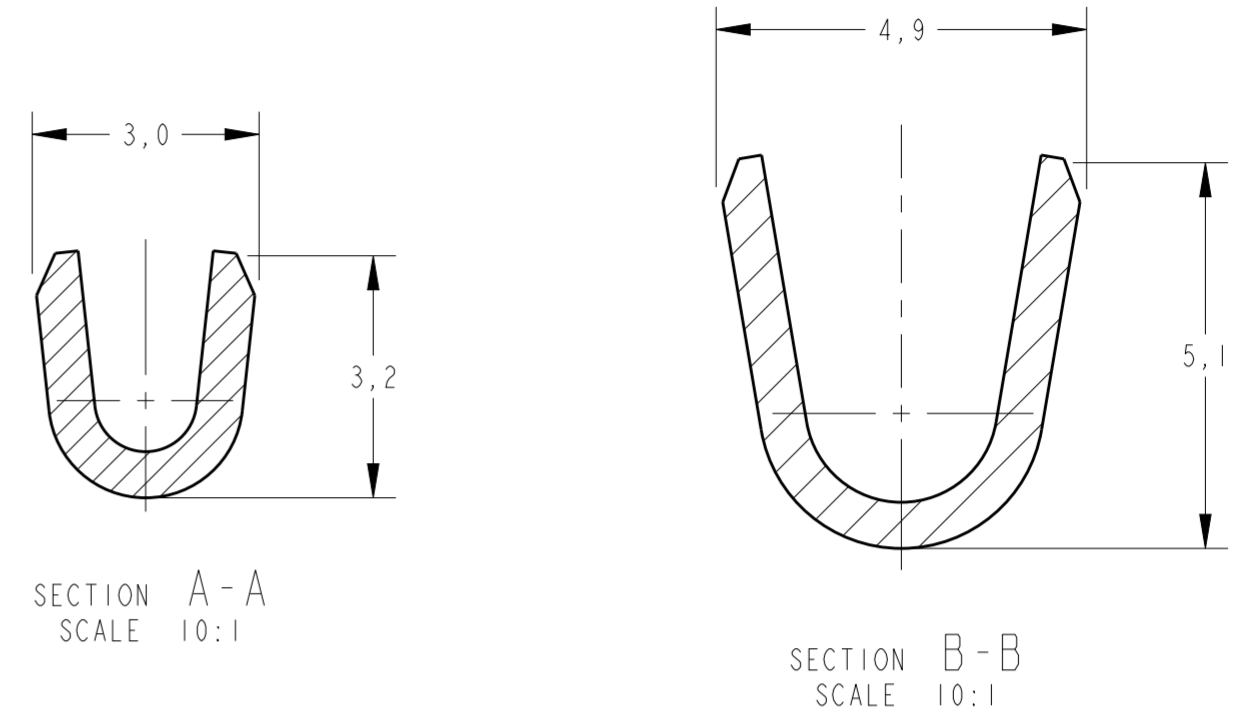
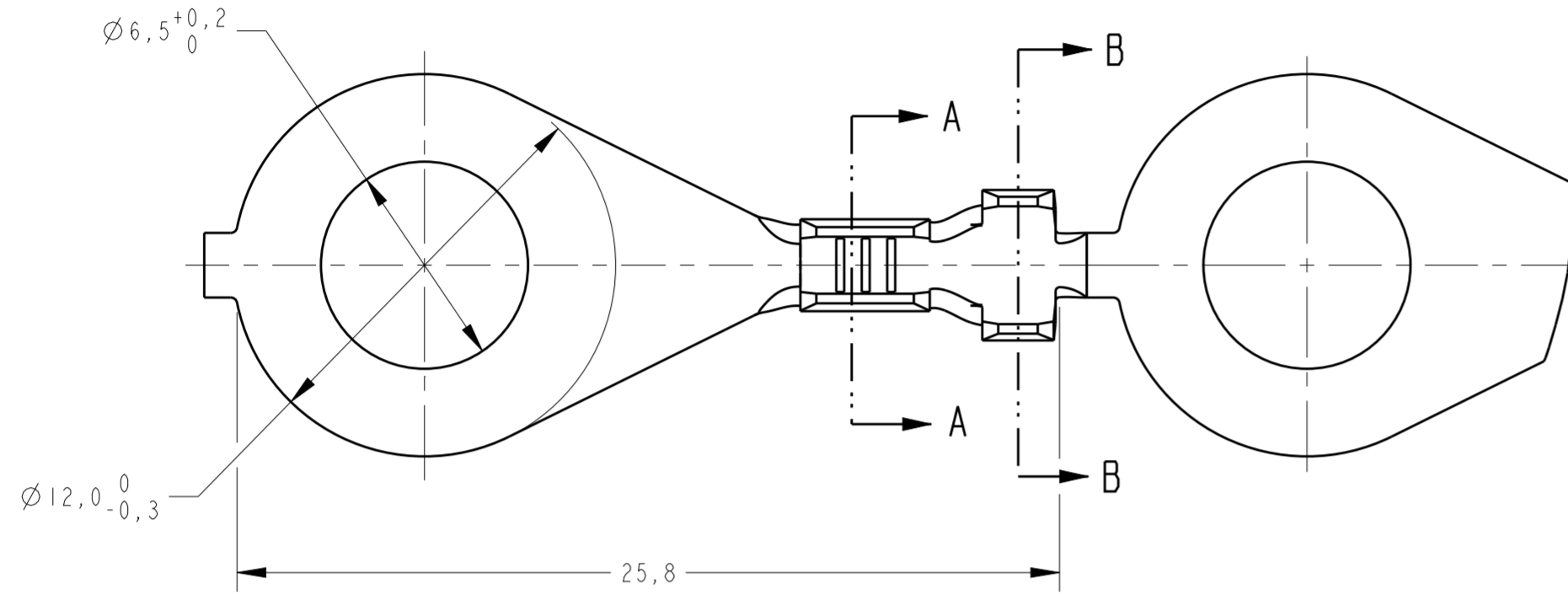


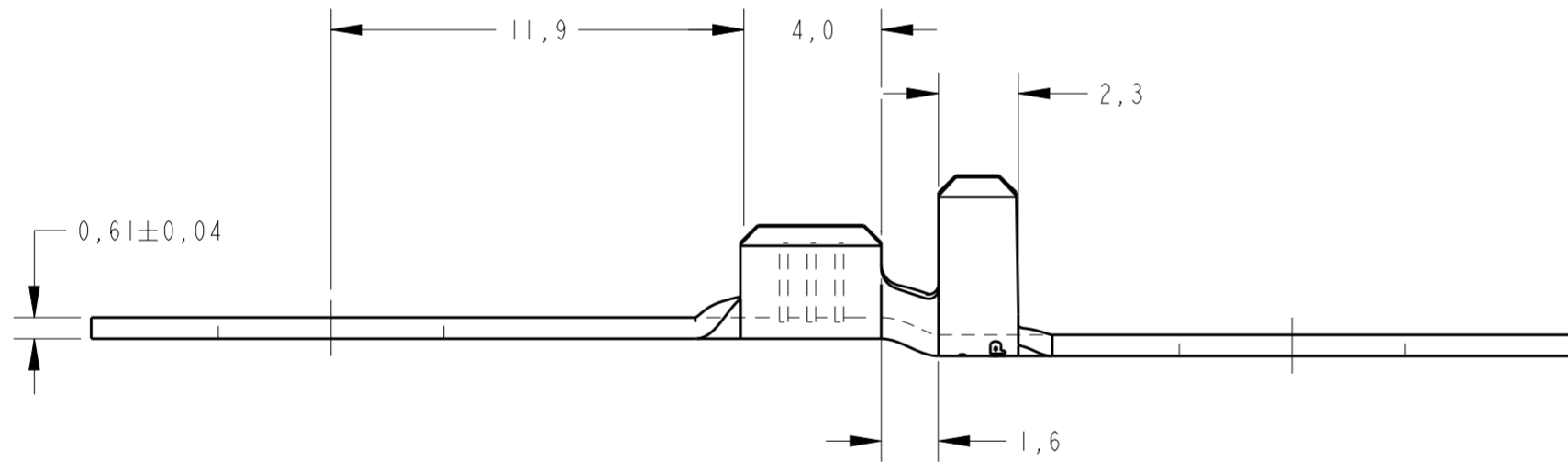
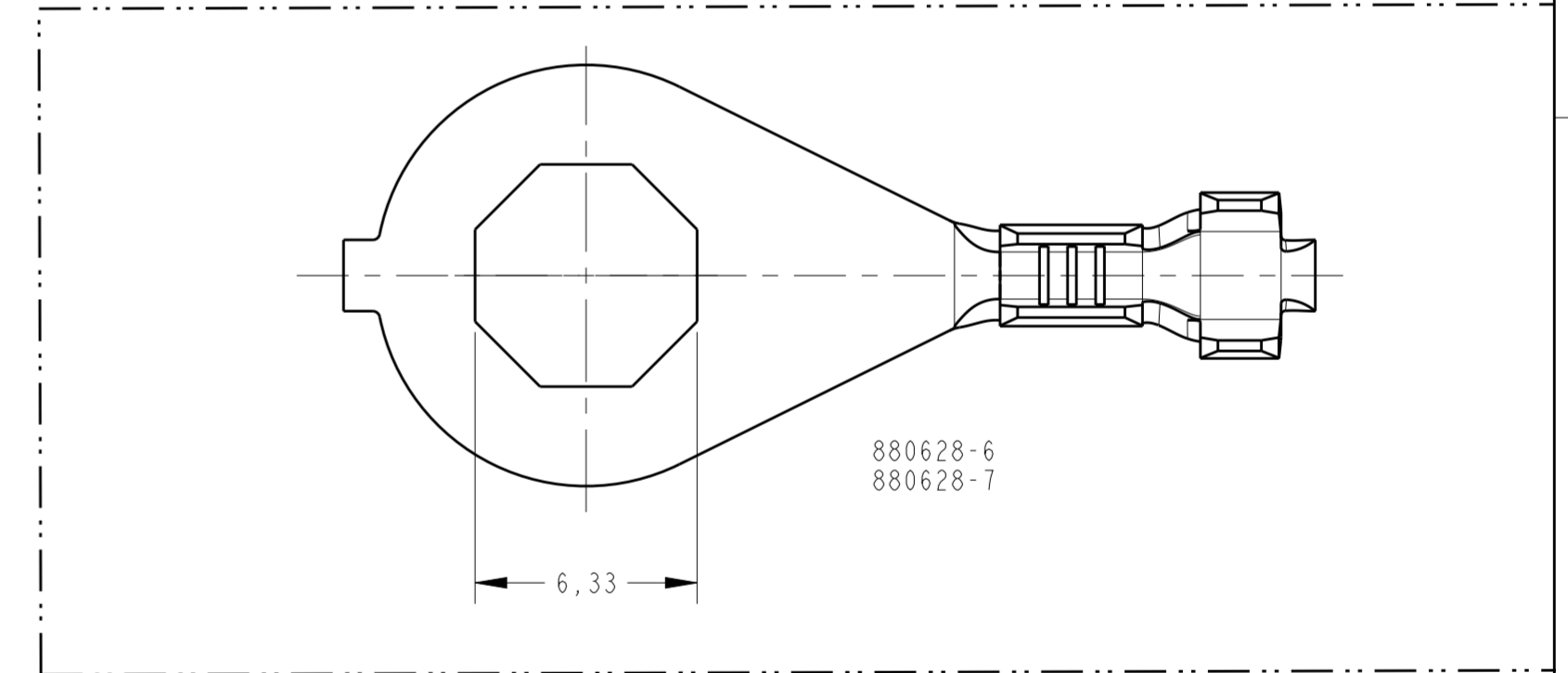
THIS DRAWING IS UNPUBLISHED. RELEASED FOR PUBLICATION 20
 © COPYRIGHT 20 BY - ALL RIGHTS RESERVED.

creo
 Creo Parametric 2.0
DO NOT REVISE
EXCEPT BY CAD

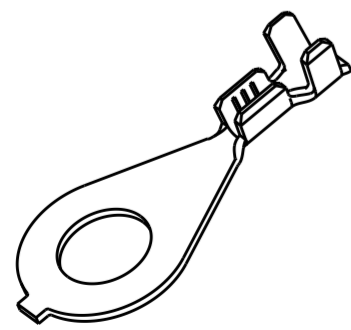
REVISIONS				
P	LTR	DESCRIPTION	DATE	APVD
B3		REV. BY ECO 17-005073	29MAY2017	HC WLS
B4		REVISED BY ECO-17-008235	09JUN2017	LAA JMM



- ① - C.A 272
- ② - REBOBINAR INTERCALANDO COM PAPEL
- REREELING WITH PAPER INTERLEAVE



ESTANHADO / TINNED	LATÃO / BRASS	880628-7
PLAIN	LATÃO / BRASS	880628-6
OBSOLETE ESTANHADO / TINNED	LATÃO / BRASS ②	880628-5
OBSOLETE ESTANHADO / TINNED	BRONZE FOSF. / PHOS. BRONZE	880628-4
OBSOLETE	BRONZE FOSF. / PHOS. BRONZE	880628-3
ESTANHADO / TINNED	LATÃO / BRASS	880628-2
—	LATÃO / BRASS	880628-1
FINISH	MATERIAL ①	PART NUMBER



PERSPECTIVE VIEW
SCALE 2:1

INS.DIA.RANGE	WIRE RANGE
2,0-3,3mm	0,5-1,0mm ²

THIS DRAWING IS A CONTROLLED DOCUMENT.

DIMENSIONS: mm	TOLERANCES UNLESS OTHERWISE SPECIFIED: 0 PLC ± 1 PLC ±0,3 2 PLC ± 3 PLC ± 4 PLC ± ANGLES ±° FINISH	DWN NCLAPRESA 26MAY2015 CHK FFORTUNATO 26MAY2015 APVD FFORTUNATO 26MAY2015	TE Connectivity	
MATERIAL SEE TABLE	SEE TABLE	PRODUCT SPEC -	NAME - RING TONGUE	
		APPLICATION SPEC -	SIZE A2	CAGE CODE -
		WEIGHT -	DRAWING NO. C-880628	RESTRICTED TO -
		Customer Drawing	SCALE 5:1	SHEET 1 OF 1 REV B4