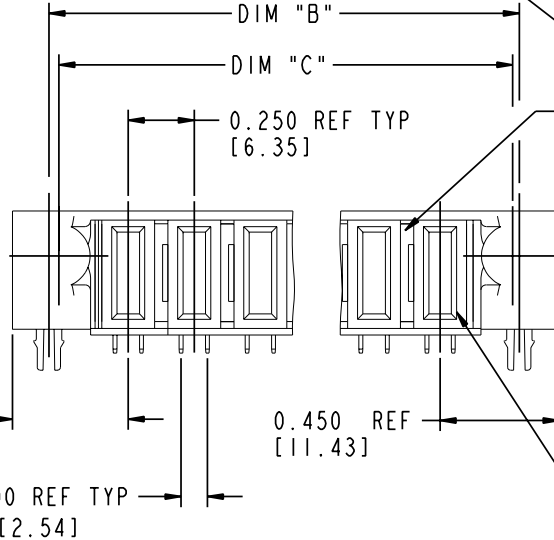
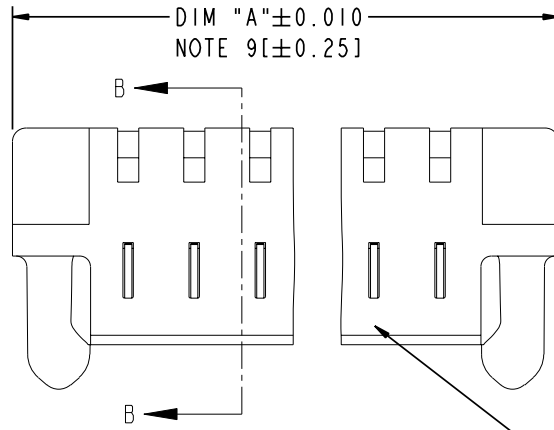


Tous droits strictement réservés. Reproduction ou communication a des tiers interdite sous quelque forme que ce soit sans autorisation écrite du propriétaire. Propriété de c FCI. Droits de reproduction FCI.

All rights strictly reserved. Reproduction or issue to third parties in any form whatever is not permitted without written authority from the proprietor. Property of FCI. Copyright FCI.

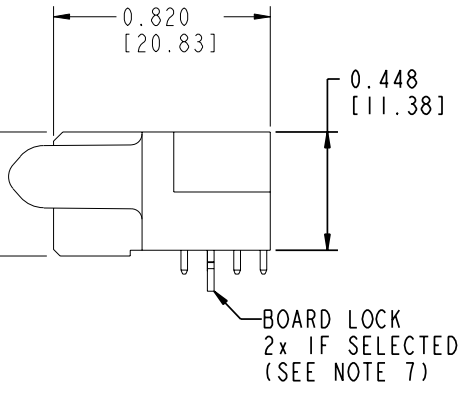
PRODUCT NUMBER  
**51763-ABB0000EF..**  
 Note: ①  
 SEE NOTE 1



SEE NOTE 8

VOID CORING OPTION, TYP

POWER POS. P1



mat'l code				SEE NOTE 2				tolerances unless otherwise specified				CUSTOMER		 www.fciconnect.com	
ltr	ecn no.	dr	date	linear	.XX±.01/.XX±.3			COPY		projection		title			
A	V02389	JRW	10/5/00		.XXX±.005/.XX±.13							RIGHT ANGLE RECEPTACLE w/GUIDE PIN POWER			
B	V21511	CGD	09/23/02		.XXX±.0020/.XX±.051							product family		code	
C	V03-0769	TAB	07/16/03	angles	0°±2°			INCH/MM		size		PWRBLADE		213	
D	DG05-0132	SJ	06/02/05	dr	LEV4 10/14/99			scale		A		51763		sheet	
E	DG05-0175	SJ	06/20/05	enrg	J. BROWN 10/14/99			3:2						1 of 3	
				chr	J. BROWN 10/14/99										
				appd	J. BROWN 10/14/99										
sheet index		revision sheet		E	E	E									
		1	2	3											

Pro/E

cage code 22526

PDM: Rev:E

STATUS:Released

Printed: Dec 20, 2010

Tous droits strictement réservés. Reproduction ou communication à des tiers interdite sous quelque forme que ce soit sans autorisation écrite du propriétaire. Propriété de c FCI. Droits de reproduction FCI.

**FCI**

All rights strictly reserved. Reproduction or issue to third parties in any form whatever is not permitted without written authority from the proprietor. Property of FCI. Copyright FCI.

PRODUCT NUMBER
<b>51763-ABB0000EF..</b>
Note: ①
SEE NOTE 1

DIM	LENGTH FORMULAS (SEE NOTE 9)
DIM "A"	.250 [6.35] x BB + .650 [16.51] (NOTE 9)
DIM "B"	.250 [6.35] x BB + .350 [8.89]
DIM "C"	.250 [6.35] x BB + .300 [7.62]
DIM "F"	.250 [6.35] x BB + .680 [17.27]

CONNECTOR NOTES:

- PRODUCT NUMBER CODE:  
51763 - A BB 000 00 E F LF

NO THIS SUFFIX: 100u"/2.54um SnPb ON PCB INTERFACE  
ADD THIS SUFFIX: 78u"/2.00um Sn OR 5u" Au ON PCB INTERFACE  
RETENTION TO PCB (NOTE 7)  
TAIL OPTIONS (NOTE 6)  
ALWAYS '00' (ZERO, ZERO)  
ALWAYS '000' (ZERO, ZERO, ZERO) (NOTE 5)  
NUMBER OF POWER CONTACTS (NOTE 4)  
PLATING (NOTE 3)  
BASE NUMBER
- HOUSING MATERIAL: GLASS FILLED V-0 HIGH TEMP THERMO PLASTIC  
POWER CONTACT MATERIAL: COPPER ALLOY
- PLATING OPTION:

1 = SIGNAL CONTACTS: 50u" / 1.27um Ni UNDER ALL; 30u" / 0.76um Au ON THE CONTACT AREA AND WITH 100u"/2.54um SnPb OR 78u"/2.00um Sn ON PCB INTERFACE  
POWER CONTACTS: 50u" / 1.27um Ni UNDER ALL; WITH 30u" / 76um Au ON CONTACT AREA WITH 100u"/2.54um SnPb OR 78u"/2.00um Sn ON PCB INTERFACE

3 = SIGNAL CONTACTS: 50u" / 1.27um Ni UNDER ALL; 30u" / 0.76um Au ON THE CONTACT AREA AND WITH 5u"/0.13um Au ON PCB INTERFACE  
POWER CONTACTS: 50u" / 1.27um Ni UNDER ALL; WITH 30u" / 76um Au ON CONTACT AREA WITH 5u"/0.13um Au ON PCB INTERFACE
- POWER CONTACTS, 01 TO 20 AVAILABLE.  
MAXIMUM OF 20 POWER CONTACTS PER CONNECTOR
- THIS PART IS NOT AVAILABLE WITH SIGNAL CONTACTS.
- TAIL OPTIONS:

A = .135±0.010 [3.43±0.25] SOLDER TO BOARD  
B = .090 +.005/-0.010 [2.29 +0.13/-0.25] SOLDER TO BOARD  
C = .154 ±0.010 [3.91 ±0.25] PRESS-FIT TO BOARD

- RETENTION TO PCB OPTIONS:

A = BOARD LOCK (REQUIRES .098+ .002/- .001 [2.49+0.05/-0.03] THRU HOLE IN PCB).  
MOUNTING FOOT THICKNESS: .220[5.59]  
\*\*NOT AVAILABLE FOR PRESS-FIT\*\*

B = .150 [3.81] THRU HOLE (REQUIRES .158 ± .003 [4.01±0.08] THRU HOLE IN PCB).  
MOUNTING FOOT THICKNESS: .160[4.06]  
\*\*ALWAYS AVAILABLE FOR PRESS-FIT\*\*
  - MANUFACTURE'S NAME, P/N, AND DATE CODE TO APPEAR ON THIS SURFACE.
  - THE MAXIMUM OVERALL LENGTH (DIM A) OF A PART IS 8.00 [203.2].
10. PRODUCT SPECIFICATION GS-12-149.
11. APPLICATION SPECIFICATION BUS -20-067.  
12. FOR PRESS-FIT CONNECTORS USE FCI CAM TOOL 430140-XXX TO APPLY CONNECTOR TO PCB.
- PCB NOTES:
- ALL DIMENSIONS ARE BASIC UNLESS OTHERWISE SPECIFIED.
  - ALL THROUGH HOLES ARE LOCATED WITH A TRUE POSITION OF 0.004 [0.10].
  - ALL HOLE DIAMETERS ARE FINISHED HOLE SIZE.
  - ∅0.0453±0.001 [1.151±0.02] DRILLED HOLES PLATED WITH 0.0003 [0.007] MIN SnPb OVER 0.001 [0.03] TO 0.003 [0.08] PLATING TO ACHIEVE A 0.040±0.003 [1.02±0.08] HOLE.

mat'l code				tolerances unless otherwise specified		CUSTOMER		<b>FCI</b> www.fciconnect.com	
ltr	ecn no.	dr	date	linear	.XX±.01/.X±.3	COPY		projection	
E					.XXX±.005/.XX±.13	INCH/MM		title	
				angles	.XXX±.0020/.XXX±.051	3:2		RIGHT ANGLE RECEPTACLE w/GUIDE PIN POWER	
				dr	0°±2°	product family		code	
				enr	LEV4 10/14/99	PWRBLADE		213	
				chr	J. BROWN 10/14/99	size		sheet	
				appd	J. BROWN 10/14/99	51763		2	
sheet index	revision sheet					scale			

Pro/E

cage code 22526

PDM: Rev:E

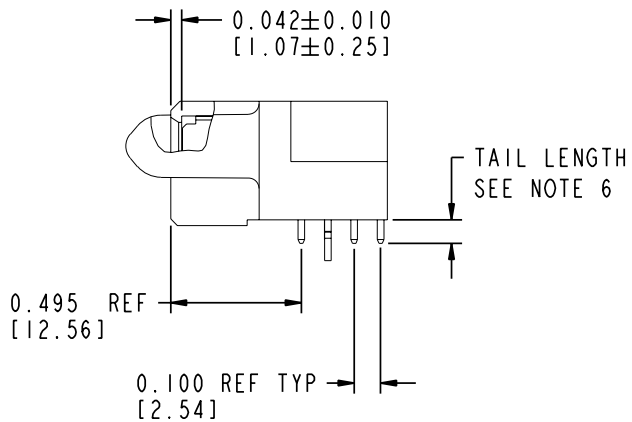
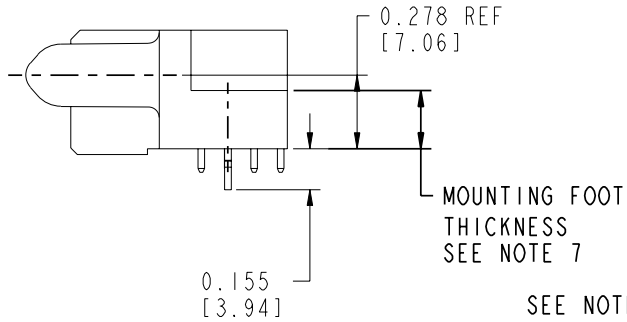
STATUS: Released

Printed: Dec 20, 2010

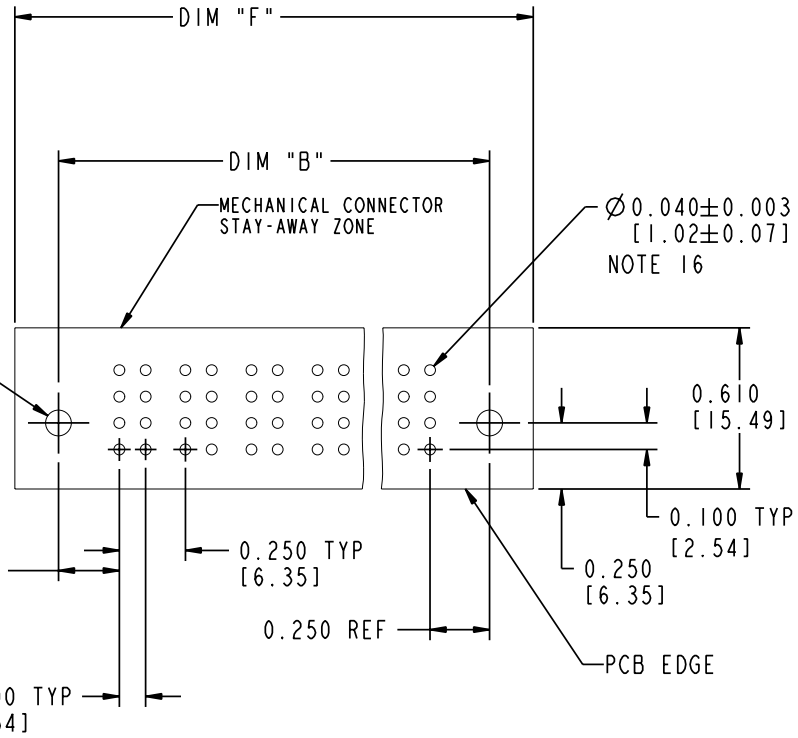
Tous droits strictement réservés. Reproduction ou communication à des tiers interdite sous quelque forme que ce soit sans autorisation écrite du propriétaire. Propriété de c FCI. Droits de reproduction FCI.

All rights strictly reserved. Reproduction or issue to third parties in any form whatever is not permitted without written authority from the proprietor. Property of FCI. Copyright FCI.

PRODUCT NUMBER  
**51763-ABB0000EF..**  
 Note: ①



SECTION B-B



RECOMMENDED PCB LAYOUT

mat'l code -				tolerances unless otherwise specified		CUSTOMER		 www.fciconnect.com	
ltr	ecn no.	dr	date	linear	.XX±.01/.X±.3	COPY		projection	
E					.XXX±.005/.XX±.13	INCH/MM		title	
				angles	.XXX±.0020/.XXX±.051	3:2		RIGHT ANGLE RECEPTACLE w/GUIDE PIN POWER	
				dr	0°±2°	product family		code	
				enr	LEV4 10/14/99	PWRBLADE		213	
				chr	J. BROWN 10/14/99	size		dwg no	
				appd	J. BROWN 10/14/99	A		51763	
sheet index		revision sheet				scale		sheet 3	

Pro/E

cage code **22526**

PDM: Rev:E

STATUS: Released

Printed: Dec 20, 2010