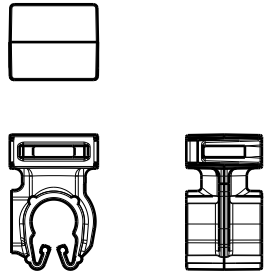
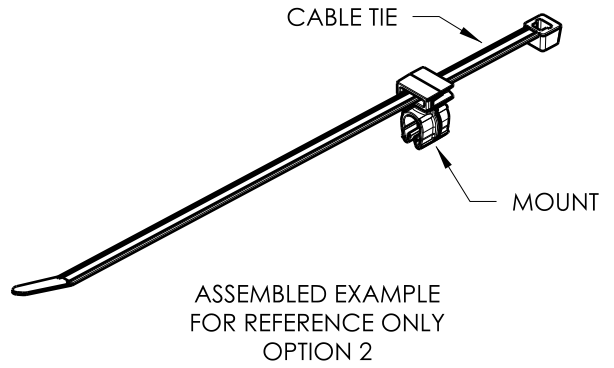
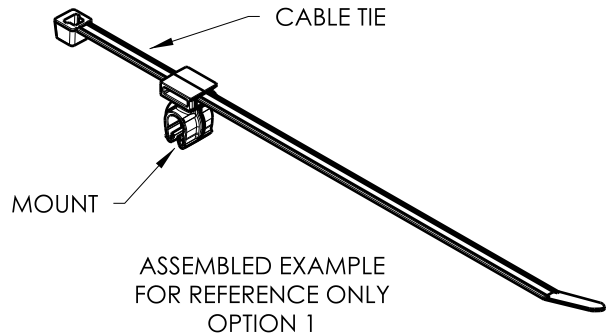
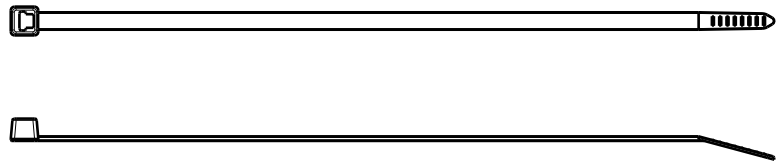


Revision Level			Revision Record	Changed	Date	Approved	Date
Drawing	State	Part					
01.1	Design Release		SEE ECN# 014711	TAT	10/22/2018	EJH	10/22/2018



MOC6SAD
DELIVERY CONDITION: UNASSEMBLED SET
SCALE 1:1

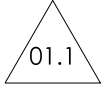


T50R
DELIVERY CONDITION: UNASSEMBLED SET

TYPE	SUGGESTED DIAMETER RANGE*
HARNESS	5.5MM-6.5MM
HOSE	5.5MM-6.5MM
HARD PIPE/TUBE	6.0MM-6.8MM

*RECOMMENDED SIZES MAY DIFFER DEPENDING ON THE APPLICATION, PRODUCT REQUIREMENTS AND MATERIALS USED

**PATENT PENDING 29/582,271



01.1	GLOBAL PART DESCRIPTION	BUNDLE RANGE	CABLE TIE			CLIP**		
			DRAWING	MATERIAL	COLOR	DRAWING	MATERIAL	COLOR
	T50RMOC6SAD-SET-PA66HIRHSUV-BK	4 TO 50	CT2050007CST	PA66HIRHSUV	BLACK	16-0314-008-CSU	PA66HIRHSUV	BLACK

Material
SEE CHART
COLOR: SEE CHART

Units millimeters
Tolerance defined on each dimension

The copyright of this drawing is reserved by HellermannTyton. It is issued on condition that it is not reproduced, copied or disclosed to a third party, either wholly or in part, without the consent of HellermannTyton.

Drawn TAT 7/11/17
Approved EJH 7/12/17
HellermannTyton
North America
Email: corp@htamericas.com
Web: www.hellermann.tyton.com

Article/Type-No SEE CHART
Title 6MM (1/2") MOC WITH T50R CABLE TIE
Drawing-No PRODUCTION : Phase
16-0314-108-CSU

Scale 1:2
Project Number 16-0314
Format AH
Sheet 1/1