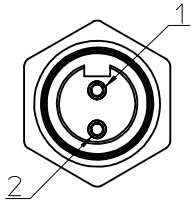
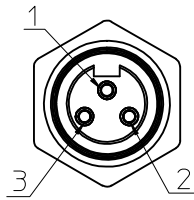


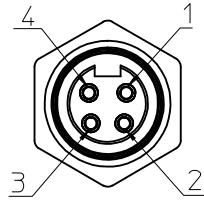
FACE VIEW - FEMALE INSERT SCALE 2 : 1



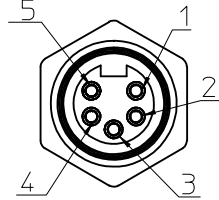
1 WHITE
2 BLACK



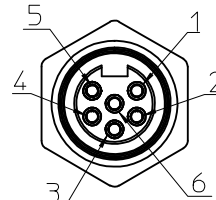
1 GREEN/YELLOW
2 BLACK
3 WHITE



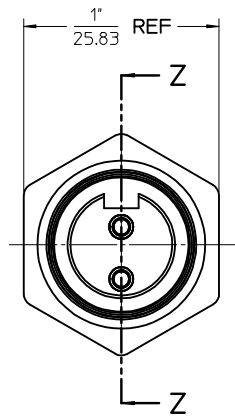
1 BLACK
2 WHITE
3 RED
4 GREEN/YELLOW



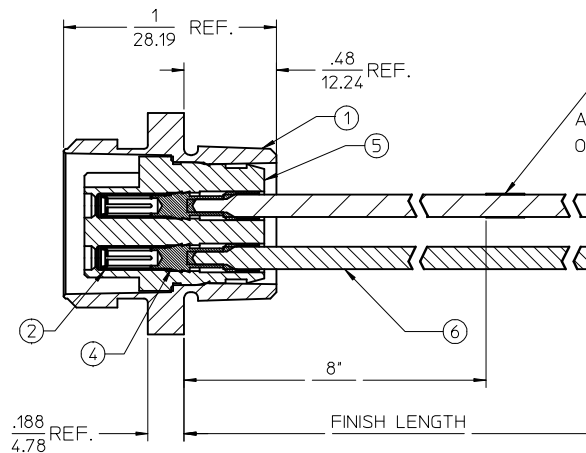
1 WHITE
2 RED
3 GREEN/YELLOW
4 ORANGE
5 BLACK



1 WHITE
2 RED
3 GREEN/YELLOW
4 ORANGE
5 BLACK
6 BLUE



FEMALE INSERT - FRONT VIEW



③ ATTACH TO GREEN/YELLOW (3-6 POLE)
OR WHITE LEAD (2-POLE)

FINAL ASSEMBLY
1300130060 (SHOWN)

| | | | | | | | | | |
|--|----------------------------|-------------------------------|---------------------------------------|--|---------------------------------------|---------------------|-----------------------------|---|--|
| ENTER DESCRIPTION EC NO: MNA2010-0057 DRAWN BY: NKUMAR01 2009/07/13 CHKD: JFMURPHY APPR: JFMURPHY 2009/08/10 REV: A | DESCRIPTION DESCRIPTION | QUALITY SYMBOLS ▽=0 ▽=0 | GENERAL TOLERANCES (UNLESS SPECIFIED) | | DIMENSION STYLE SECTYON Z-Z | SCALE 2:1 | DESIGN UNITS INCH | THIRD ANGLE PROJECTION MC 2P FR 12IN 16/1 PVC | |
| | | | | | DRAWN BY NKUMAR01 | DATE 31/07/09 | | | |
| | | | | | CHECKED BY BWOODMAN | DATE 31/07/09 | | | |
| | | | | | APPROVED BY JFMURPHY | DATE 31/07/09 | | | |
| | | | ANGULAR ±1/2° | | MATERIAL NO. | | DOCUMENT NO. | | |
| DRAFT WHERE APPLICABLE MUST REMAIN WITHIN DIMENSIONS | | | SEE SHEET 2 | | SD-130013-060 | | SHEET NO. 1 OF 2 | | |
| THIS DRAWING CONTAINS INFORMATION THAT IS PROPRIETARY TO MOLEX INCORPORATED AND SHOULD NOT BE USED WITHOUT WRITTEN PERMISSION | | | | | | | | | |

FEMALE RECEPTACLE ASSEMBLY

| | | | | |
|--------|--------|--------|--------|--------|
| 2 POLE | 3 POLE | 4 POLE | 5 POLE | 6 POLE |
|--------|--------|--------|--------|--------|

| Sl. No. | DESCRIPTION | MATERIAL | FINISH | QUANTITY | | | | |
|---------|-------------------------------|-----------------|--------------|----------|---|---|---|---|
| 1 | RECEPTACLE SHELL | ZINC DIECAST | BLACK E-COAT | 1 | 1 | 1 | 1 | 1 |
| 2 | SOCKET SLEEVE - TUBE | STAINLESS STEEL | PASSIVATED | 2 | 3 | 4 | 5 | 6 |
| 3 | LABEL | PLASTIC FILM | BLACK/YELLOW | 1 | 1 | 1 | 1 | 1 |
| 4 | SOCKET CONTACT 16AWG | COPPER ALLOY | GOLD PLATED | 2 | 3 | 4 | 5 | 6 |
| 5 | 2P FEM INSERT PVC A-SIZE | PVC | YELLOW | 1 | | | | |
| | 3P FEM INSERT PVC A-SIZE | PVC | YELLOW | | 1 | | | |
| | 4P FEM INSERT PVC A-SIZE | PVC | YELLOW | | | 1 | | |
| | 5P FEM INSERT PVC A-SIZE | PVC | YELLOW | | | | 1 | |
| | 6P FEM INSERT PVC A-SIZE | PVC | YELLOW | | | | | 1 |
| 6 | #16-1 BLK PVC WIRE UL1015 | PVC JACKET | BLACK | 1 | 1 | 1 | 1 | 1 |
| | #16-1 BLU PVC WIRE UL1015 | PVC JACKET | BLUE | | | | | 1 |
| | #16-1 GRN/YEL PVC WIRE UL1015 | PVC JACKET | GREEN/YELLOW | | 1 | 1 | 1 | 1 |
| | #16-1 ORN PVC WIRE UL1015 | PVC JACKET | ORANGE | | | | 1 | 1 |
| | #16-1 RED PVC WIRE UL1015 | PVC JACKET | RED | | | 1 | 1 | 1 |
| | #16-1 WHT PVC WIRE UL1015 | PVC JACKET | WHITE | | 1 | 1 | 1 | 1 |

| POLE COUNT | MAX. VOLTAGE RATING | MAX. CURRENT RATING |
|------------|---------------------|---------------------|
| 2 POLE | 600 VOLTS | 13 AMPS |
| 3 POLE | 600 VOLTS | 13 AMPS |
| 4 POLE | 600 VOLTS | 10 AMPS |
| 5 POLE | 600 VOLTS | 8 AMPS |
| 6 POLE | 600 VOLTS | 8 AMPS |

| PART NUMBER | DESCRIPTION | FINISHED LENGTH |
|-------------|---------------|----------------------------------|
| 1300130060 | 1R2004A20A120 | 12.0" +.75" -0 [0.3M +19.1MM -0] |
| 1300130067 | 1R2004A20F060 | 6.0' +2.19' -0 [1.8M +55.6MM -0] |
| 1300130135 | 1R3004A20A120 | 12.0" +.75" -0 [0.3M +19.1MM -0] |
| 1300130148 | 1R3004A20F060 | 6.0' +2.19' -0 [1.8M +55.6MM -0] |
| 1300130314 | 1R4004A20A120 | 12.0" +.75" -0 [0.3M +19.1MM -0] |
| 1300130325 | 1R4004A20F060 | 6.0' +2.19' -0 [1.8M +55.6MM -0] |
| 1300130442 | 1R5004A20A120 | 12.0" +.75" -0 [0.3M +19.1MM -0] |
| 1300130452 | 1R5004A20F060 | 6.0' +2.19' -0 [1.8M +55.6MM -0] |
| 1300130567 | 1R6004A20A120 | 12.0" +.75" -0 [0.3M +19.1MM -0] |
| 1300130576 | 1R6004A20F060 | 6.0' +2.19' -0 [1.8M +55.6MM -0] |

| | | | | | | |
|---|---------------------|---|---|----------------------------------|--------------------------------------|----------------------------|
| ENTER DESCRIPTION EC NO: MNA2010-0057 DRWN: NKUMAR01 2009/07/31 CHKD: APPR: JFMURPHY 2009/08/10 REV: A | QUALITY SYMBOLS | GENERAL TOLERANCES (UNLESS SPECIFIED) | DIMENSION STYLE IN/MM | SCALE 2:1 | DESIGN UNITS INCH | THIRD ANGLE PROJECTION |
| | | 4 PLACES ± --- ± --- 3 PLACES ± --- ± --- 2 PLACES ± --- ± --- 1 PLACE ± --- ± --- | DRAWN BY NKUMAR01 DATE 31/07/09 | MC 2P FR 12IN 16/1 PVC | | |
| | | ANGULAR ±1/2° | CHECKED BY BWOODMAN DATE 31/07/09 | MOLEX INCORPORATED | | |
| | | DRAFT WHERE APPLICABLE MUST REMAIN WITHIN DIMENSIONS | APPROVED BY JFMURPHY DATE 31/07/09 | MATERIAL NO. SEE CHART | DOCUMENT NO. SD-130013-060 | |

| FACE VIEW-FEMALE INSERT | | | | |
|-------------------------|--|---|---|---|
| | | | | |
| 1-WHITE 2-BLACK | 1-GREEN / YELLOW 2-BLACK 3-WHITE | 1-BLACK 2-WHITE 3-RED 4-GREEN / YELLOW | 1-WHITE 2-RED 3-GREEN / YELLOW 4-ORANGE 5-BLACK | 1-WHITE 2-RED 3-GREEN / YELLOW 4-ORANGE 5-BLACK 6-BLUE |

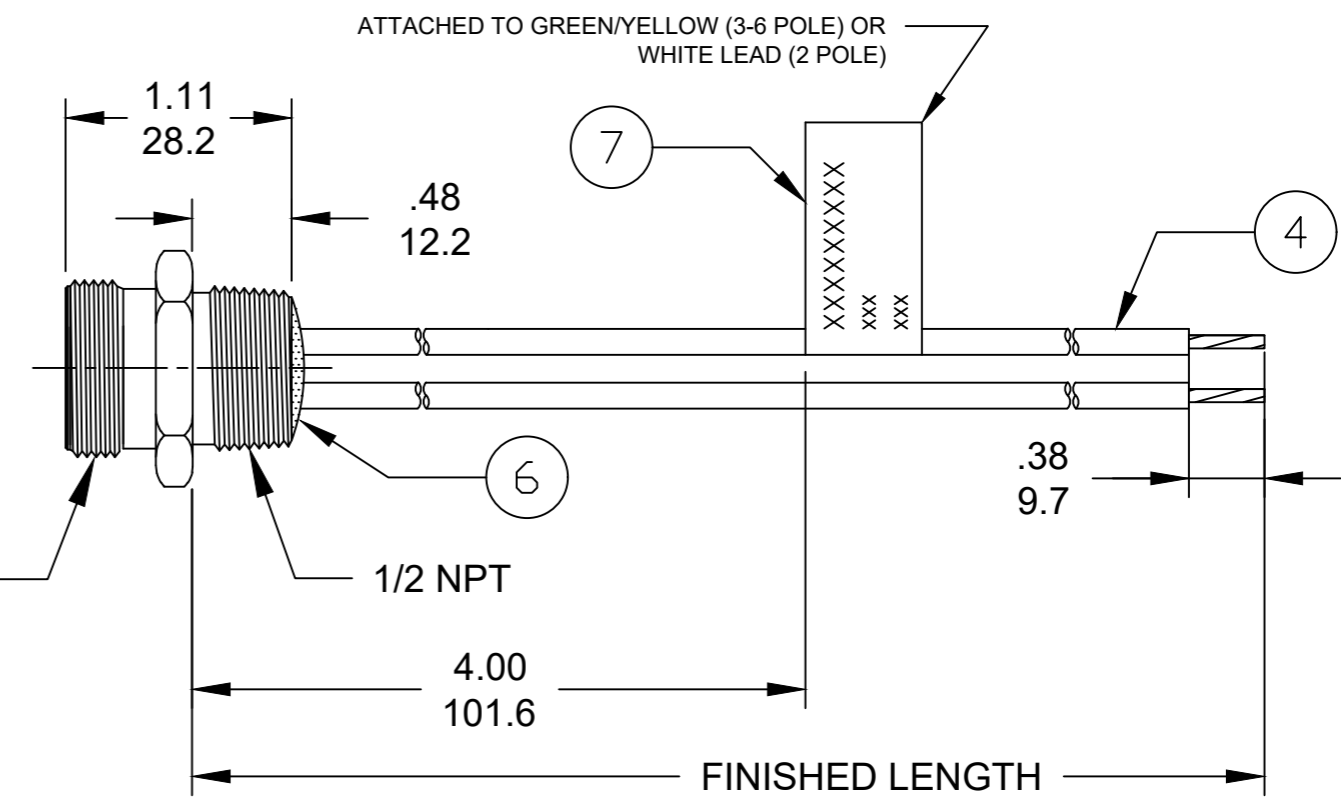
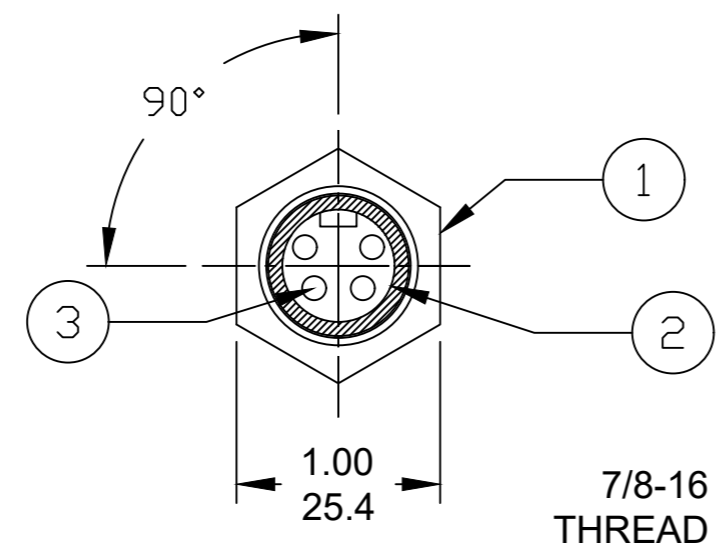
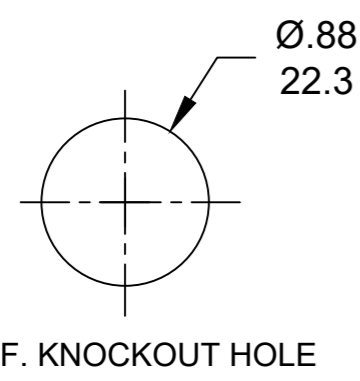
PART NO. MATRIX

1R3004A20F020

↑ POLES 2-6 ↑ FINISHED LENGTH:
A120= 12 IN.
F020= 2 FEET
F100= 10 FEET

M005= 0.5 METER
M010= 1 METER
M100= 10 METER

| CABLE LENGTH TOLERANCES | |
|--------------------------|-------------------------|
| >.3M [1FT]: | +19mm-0 [+.75in-0] |
| .3 - .9M [1 - 3FT]: | +44.5mm-0 [+1.75in-0] |
| .9 - 1.8M [3 - 6FT]: | +55.6mm-0 [+2.19in-0] |
| 1.8 - 3.7M [6 - 12FT]: | +88.9mm-0 [+3.50in-0] |
| 3.7 - 7.3M [12 - 24FT]: | +165.1mm-0 [+6.50in-0] |
| 7.3-14.6M [24 - 48FT]: | +317.5mm-0 [+12.50in-0] |
| 14.6 - 30.5M [48-100FT]: | +622.3mm-0 [+24.50in-0] |
| OVER 30M [100FT] | +2% OF FINISHED LENGTH |



- NOTES:
1. MATERIAL: SEE TABLE
 2. FINISH: SEE TABLE
 3. ELECTRICAL:
VOLTAGE: 2P THRU 6P 600V PER UL 2238
2 & 3P 500V PER IEC60664
4P 483V PER IEC60664
5 & 6P 400V PER IEC60664
CURRENT: 2P & 3P: 13A
4P: 10A
5P & 6P: 8A
 4. TEMP RATING: -20°TO +105°C
 5. PROTECTION: IP67 (WHEN MATED)
 6. UL RECOGNIZED, FILE: E152210
CSA CERTIFIED, FILE: LR6837 (B)
 7. ALL DIMENSIONS ARE FOR REFERENCE UNLESS TOLERANCED OR NOTED OTHERWISE

| PART NO | ENGINEERING NO. | FINISHED LENGTH |
|------------|-----------------|-------------------|
| 1300130060 | 1R2004A20A120 | 12 IN [0.3M] |
| 1300130148 | 1R3004A20F060 | 6 FT [1.8M] |
| 1300130457 | 1R5004A20F120 | 12 FT [3.6M] |
| 1300131011 | 1R6004A20M040 | 4.0M [13 FT 1 IN] |
| 1300130007 | 1R4004A20M060 | 6.0M [19 FT 8 IN] |

| ITEM | DESCRIPTION | MATERIAL | FINISH |
|------|------------------------|----------------|---------------|
| 6 | FLAG LABEL | VINYL | BLACK/YELLOW |
| 5 | POTTING MATERIAL | EPOXY | |
| 4 | WIRE, 16 AWG UL (1015) | PVC INSULATION | SEE FACE VIEW |
| 3 | CONTACT SOCKET | COPPER ALLOY | GOLD PLATED |
| 2 | FEMALE INSERT | TPE | YELLOW (B) |
| 1 | RECEPTACLE SHELL | ZINC DIE-CAST | BLACK |

| | | | | | |
|--|---|--------------------------|---|----------------------------|--|
| FUNCTIONAL SYMBOLS F/A=0 F/C=0 F/P=0 | THIS DRAWING CONTAINS INFORMATION THAT IS PROPRIETARY TO MOLEX ELECTRONIC TECHNOLOGIES, LLC AND SHOULD NOT BE USED WITHOUT WRITTEN PERMISSION | | CURRENT REV DESC: ITEM #2 WAS PVC, CSA ADDED IN NOTES & MATERIAL TABLE MODIFIED | | |
| | DIMENSION UNITS | SCALE | <p>MINI-CHANGE RECEPTACLE, A-SIZE 2-6P, FEMALE, STRAIGHT, SINGLE KEY, 16 AWG</p> <p>PRODUCT CUSTOMER DRAWING</p> <p>DOCUMENT NUMBER: SD-130013-121 DOC TYPE: PSD DOC PART: 001 REVISION: B</p> | | |
| | INCH/MM | --- | | | |
| | GENERAL TOLERANCES (UNLESS SPECIFIED) | | | | |
| 4 PLACES | ±--- | | | | |
| DIVISIONAL SYMBOLS | 3 PLACES | ±--- | EC NO: 641453 | 2020/05/21 | |
| | 2 PLACES | ±--- | DRWN: ABENJAMINLW | 2020/07/20 | |
| | 1 PLACE | ±--- | CHK'D: RSTONE | 2020/07/27 | |
| | 0 PLACES | ±--- | APPR: BWOODMAN | 2020/07/27 | |
| ANGULAR TOL ± 0.5° | | INITIAL REVISION: | DRWN: RSTONE | 2016/12/05 | |
| DRAFT WHERE APPLICABLE MUST REMAIN WITHIN DIMENSIONS | | THIRD ANGLE PROJECTION | APPR: BWOODMAN | 2017/01/16 | |
| | | DRAWING: B-SIZE | SERIES: 130066 | MATERIAL NUMBER: SEE_CHART | |
| | | CUSTOMER: GENERAL MARKET | | SHEET NUMBER: 1 OF 1 | |