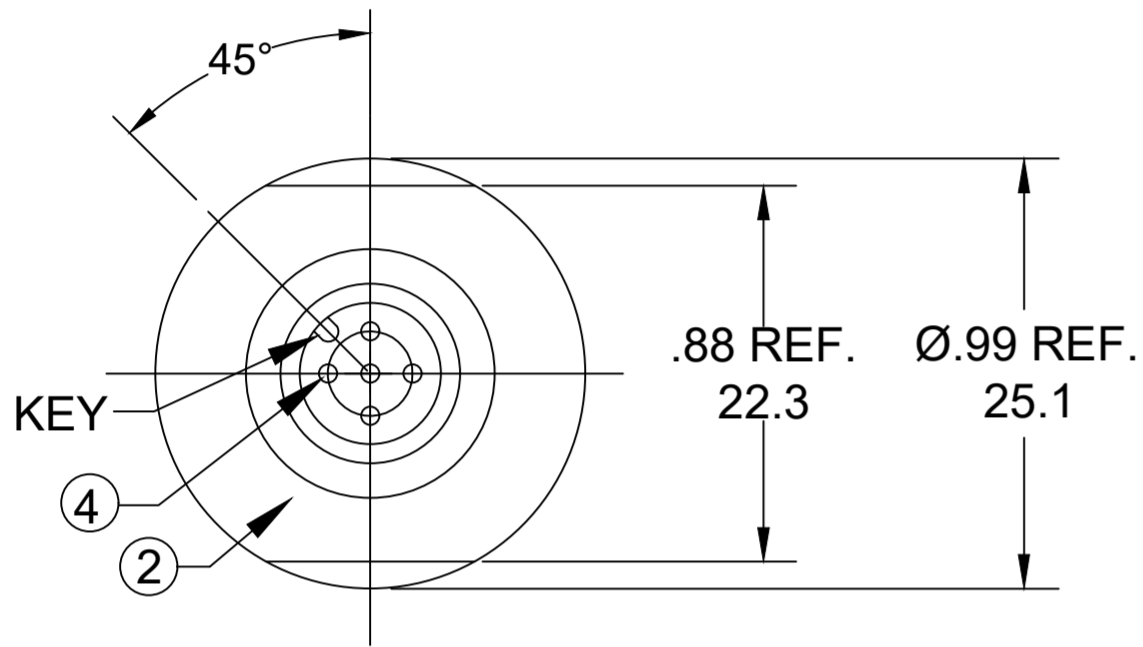
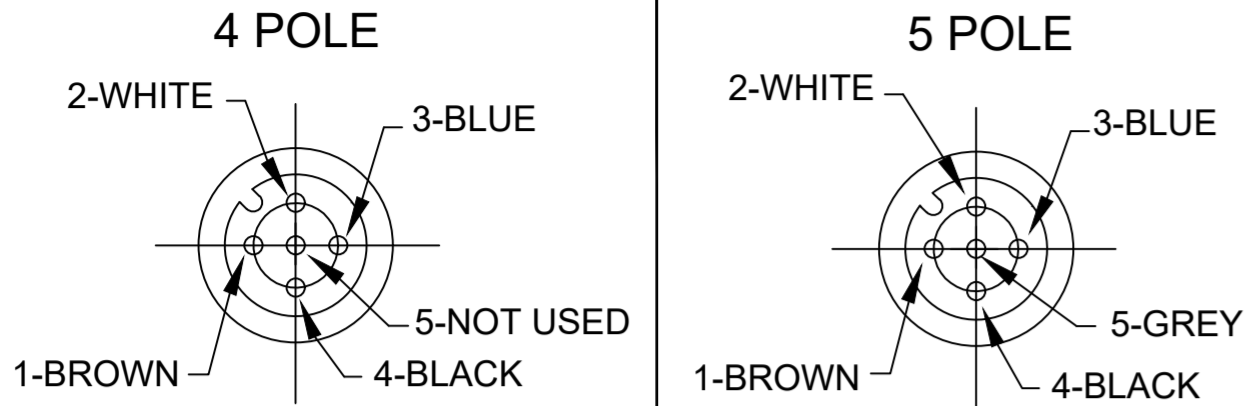
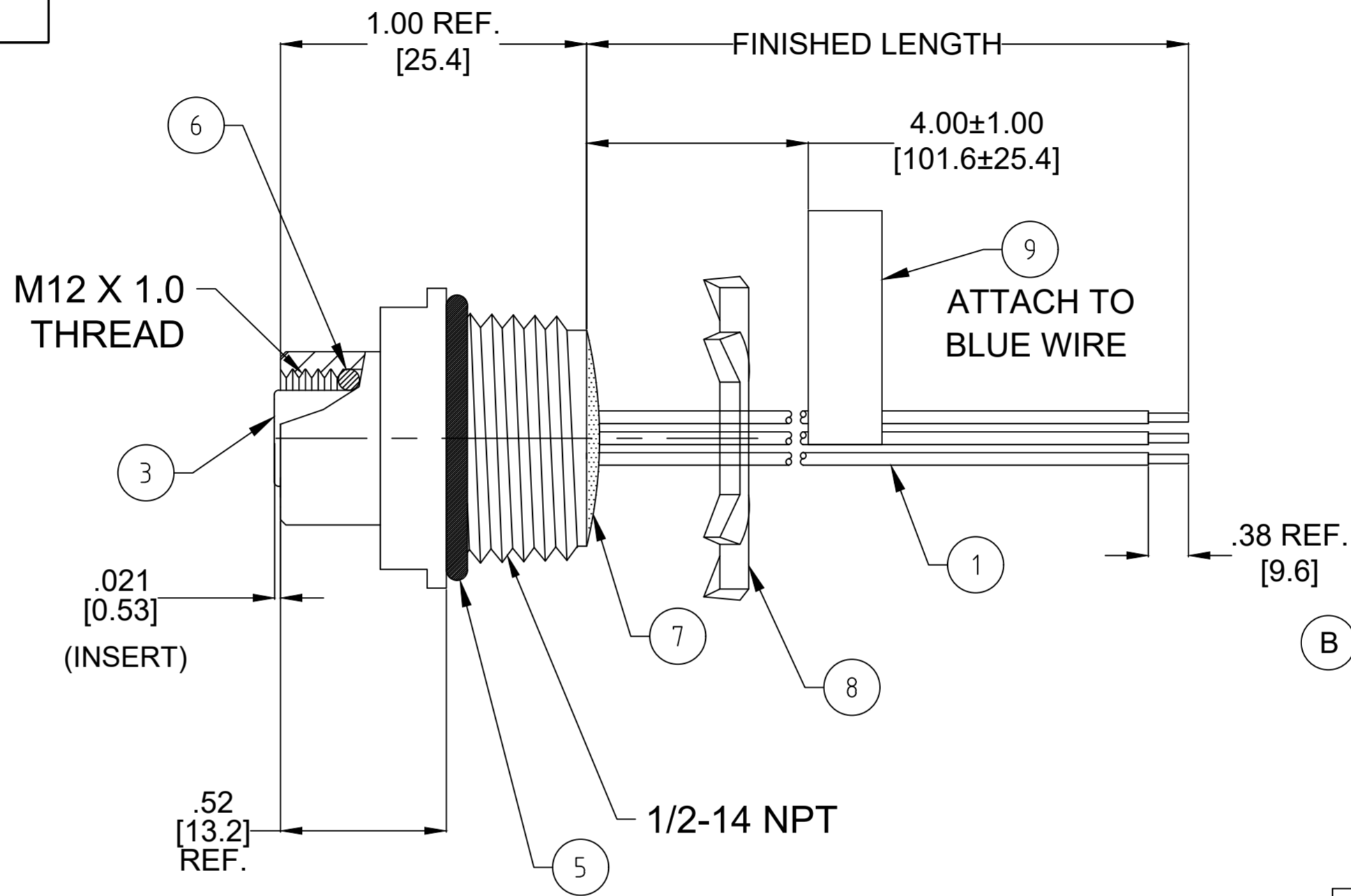


**FRONT VIEW  
FEMALE INSERT CONFIGURATION CHART**

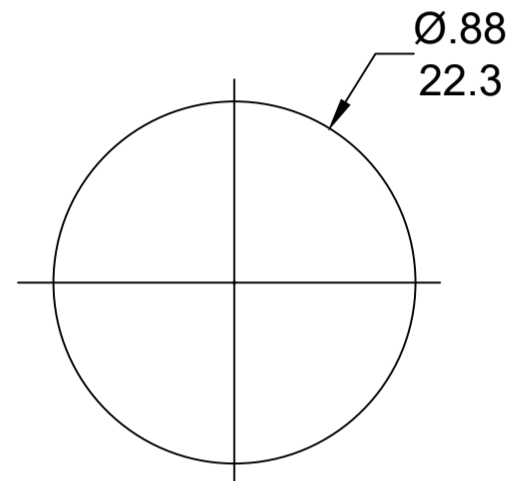


- NOTES:**
1. MATERIAL: AS NOTED
  2. FINISH: AS NOTED
  3. ELECTRICAL:  
VOLTAGE: 4 & 5P 250V  
CURRENT: 4A
  4. TEMP RATING: -20°C TO +105°C
  5. PROTECTION: IP67 (WHEN MATED)
  6. CSA CERTIFIED FILE: LR6837
  7. ALL DIMENSIONS ARE FOR REFERENCE UNLESS TOLERANCED OR NOTED OTHERWISE

SAP P/N #	ENGINEERING P/N	FINISHED LENGTH
1200700168	8R4000A16M005	0.5M [ 1FT 8 IN ]
1200704013	8R5000A16M030	3M [ 9FT 10 IN ]
1200700172	8R4000A16M060	6M [ 19FT 8 IN ]



**KNOCKOUT HOLE**



**PART NO. LEGEND**

**8R4000A16M005**

POLES (4, 5)

LENGTH:  
M005= 0.5 METER  
M010= 1 METER  
M100= 10 METER

**CABLE LENGTH TOLERANCES**

<.3M [1FT]:	+19mm-0 [ +.75in-0]
.3 - .9M [1 - 3FT]:	+44.5mm-0 [+1.75in-0]
.9 - 1.8M [3 - 6FT]:	+55.6mm-0 [+2.19in-0]
1.8 - 3.7M [6 - 12FT]:	+88.9mm-0 [+3.50in-0]
3.7 - 7.3M [12 - 24FT]:	+165.1mm-0 [+6.50in-0]
7.3-14.6M [24 - 48FT]:	+317.5mm-0 [+12.50in-0]
14.6 - 30.5M [48-100FT]:	+622.3mm-0 [+24.50in-0]
OVER 30M [100FT]	+2% OF FINISHED LENGTH

9	LABEL	VINYL	BLACK/YELLOW
8	LOCKNUT	STEEL	ZINC PLATED
7	POTTING MATERIAL	EPOXY	
6	O-RING (MATING)	VITON	RED
5	O-RING (PANEL)	NITRILE	BLACK
4	CONTACT SOCKET	COPPER ALLOY	GOLD OVER NICKEL
3	FEMALE INSERT	NYLON	BLACK
2	SHELL FM M12x1	ZINC DIE CAST	YELLOW
1	WIRE #18	PVC	SEE FACE VIEW
ITEM	COMPONENT	MATERIAL	FINISH

FUNCTIONAL SYMBOLS	THIS DRAWING CONTAINS INFORMATION THAT IS PROPRIETARY TO MOLEX ELECTRONIC TECHNOLOGIES, LLC AND SHOULD NOT BE USED WITHOUT WRITTEN PERMISSION		CURRENT REV DESC: UPDATED BOM, CORRECTED CABLE LENGTH TOLERANCES, CORRECTED STRIPPED WIRE DIM	
	DIMENSION UNITS	SCALE	EC NO: 727352	
DIVISIONAL SYMBOLS	INCH/MM	1:1	DRWN: SAMB12	2022/11/03
	GENERAL TOLERANCES (UNLESS SPECIFIED)		CHK'D: RSTONE	2022/11/03
DIVISIONAL SYMBOLS	4 PLACES	±----	APPR: BWOODMAN	2022/11/03
	3 PLACES	±----	INITIAL REVISION:	
	2 PLACES	±----	DRWN: RSTONE	2012/11/05
	1 PLACE	±----	APPR: JFMURPHY	2013/02/07
0 PLACES	±----	ANGULAR TOL ± ---- °		
DRAFT WHERE APPLICABLE MUST REMAIN WITHIN DIMENSIONS		THIRD ANGLE PROJECTION	DRAWING	SERIES
			C-SIZE	120070
DOCUMENT STATUS		P1	RELEASE DATE	2022/11/10 21:42:40
DOCUMENT NUMBER		SD-120070-043		DOC TYPE/DOC PART/REVISION
		GENERAL MARKET		PSD 001 B
SHEET NUMBER		1 OF 1		