

4

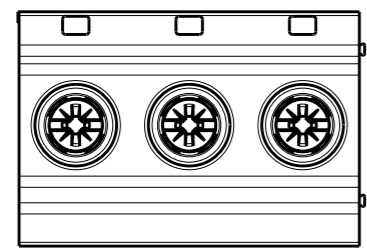
3

2

1

THIS DRAWING IS UNPUBLISHED. RELEASED FOR PUBLICATION 2011  
 © COPYRIGHT 2011 ALL RIGHTS RESERVED.

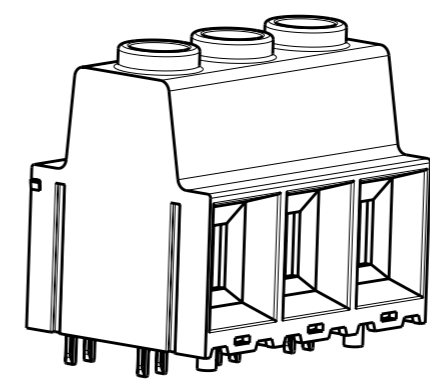
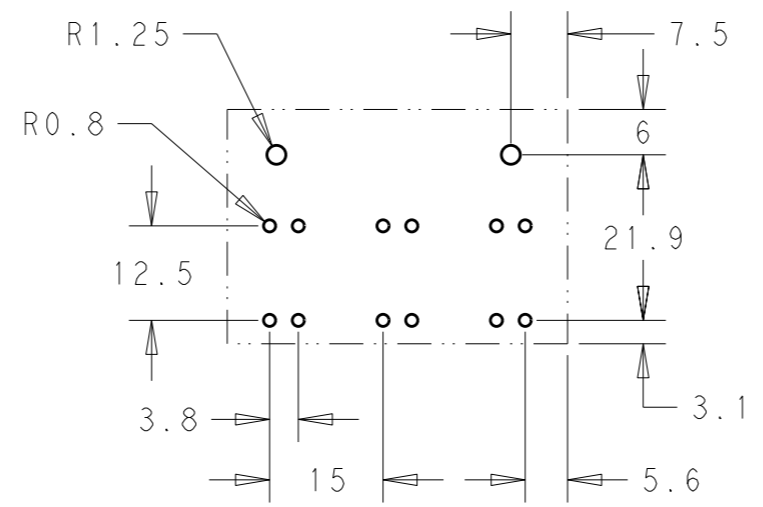
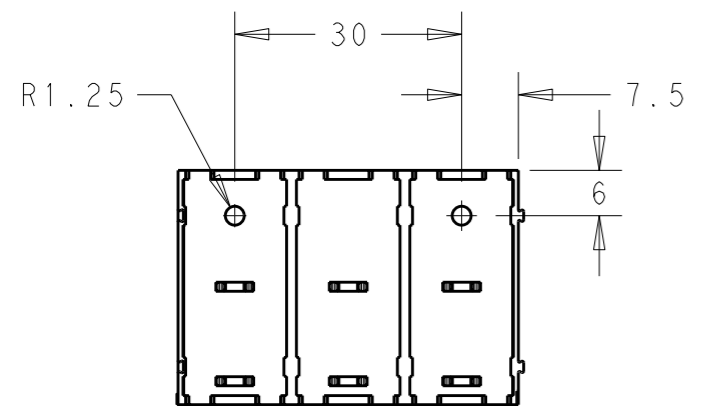
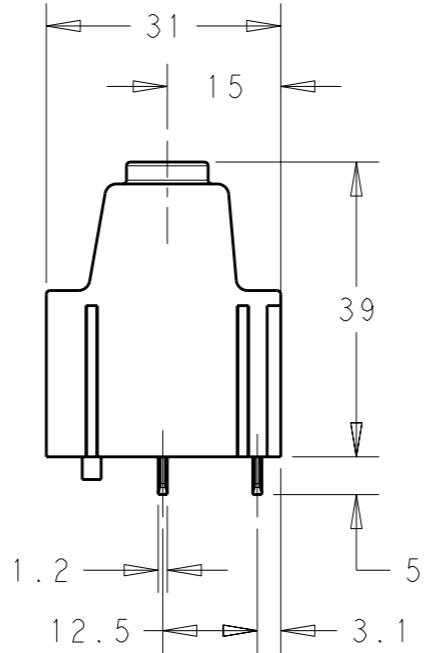
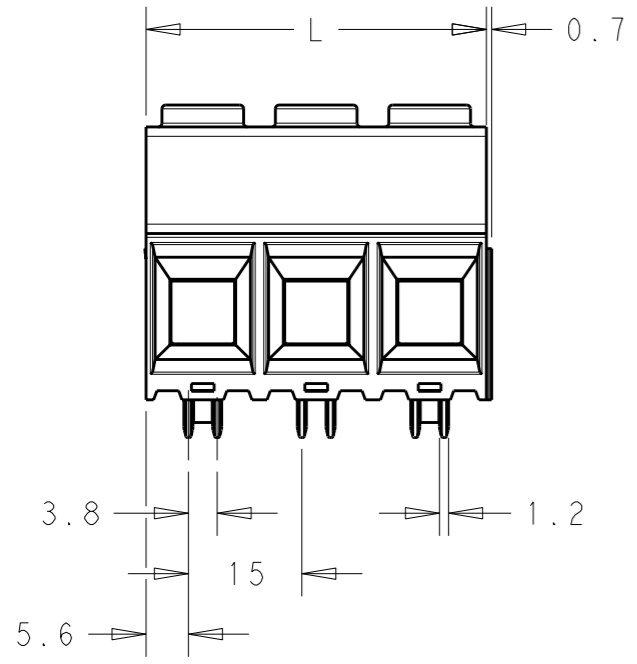
LOC	DIST	REVISIONS					
		P	LTR	DESCRIPTION	DATE	DWN	APVD
AI	-		B	REVISED PER ECO-12-005569	22MAR2012	HRY	MS



**MATERIALS:**  
 HOUSING-POLYAMIDE, COLOR-GREEN  
 SCREW- M5,NICKEL PLATED STEEL.  
 CLAMP- TIN PLATED STEEL.  
 PIN-TIN OVER NICKEL PLATED COPPER ALLOY.

**MECHANICAL:**  
 PCB THICKNESS-2.40 MAX  
 PCB HOLE DIAMETER-1.60 MIN  
 STRIP LENGTH-18 MM  
 OPERATING TEMPERATURE--40°C TO +110°C  
 TORQUE-2.1~2.5 Nm.

**ELECTRICAL:**  
 WIRE RANGE- 20 TO 1 AWG  
 VOLTAGE RATING- 600 VOLTS  
 CURRENT RATING-130 AMP FIELD WIRING; 135 AMP FACTORY WIRING  
 CONTACT RESISTANCE-15 MILLOHM MAX  
 INSULATION RESISTANCE-10<sup>9</sup> OHMS MIN (500V DC)



SCALE 1:1  
 -3 AS SHOWN

180.00	12	1-1986714-2
165.00	11	1-1986714-1
150.00	10	1-1986714-0
135.00	9	1986714-9
120.00	8	1986714-8
105.00	7	1986714-7
90.00	6	1986714-6
75.00	5	1986714-5
60.00	4	1986714-4
45.00	3	1986714-3
30.00	2	1986714-2
DIM L	POLE	PART NUMBER

THIS DRAWING IS A CONTROLLED DOCUMENT.		DWN 05SEP2011 RAGHAVENDRA	TE Connectivity	
DIMENSIONS: mm		CHK 05SEP2011 SARVER MICHAEL		
TOLERANCES UNLESS OTHERWISE SPECIFIED:		APVD 05SEP2011 SARVER MICHAEL	NAME POWER TERMINAL BLOCK, SOLDERABLE UP TO 275DEG C DOUBLE PIN MODULAR 02 - 12 POLES PITCH 15.00mm WITH PEG	
0 PLC ± 1 PLC ±0.40 2 PLC ±0.20 3 PLC ± 4 PLC ± ANGLES ±1°		PRODUCT SPEC	RESTRICTED TO	
MATERIAL - FINISH -		APPLICATION SPEC	SIZE A3	CAGE CODE 00779
		WEIGHT -	DRAWING NO C-1986714	
		CUSTOMER DRAWING	SCALE 1:1	SHEET 1 OF 1 REV B