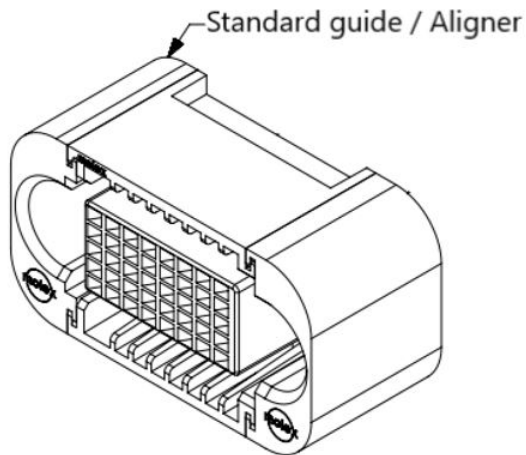


| | | | |
|--------------------------------------------|---------------------------------------------------------------------------------------------------------------------------------------------------------------------------------------------|--------------|--------|
| Date Issued : | October 25, 2022 | PCN Number : | 512817 |
| Reason for Change : | Change to Product | | |
| Description of Change : | This notification is to inform you about changes that are being made to the part(s) as identified in the list. This change will affect the Fit, Form, Function, or appearance of the parts. | | |
| Reason for Short Notice : | Special Request | | |
| Assessment of Change : | First Article Inspection | | |
| Planned Implementation Date : | January 31, 2023 | | |
| Sample Availability Date: | November 10, 2022 | | |
| Internal Molex Qualification Date : | November 30, 2022 | | |
| Last date to request Samples by Customer : | November 11, 2022 | | |
| Traceability Code Markings / Date : | Lot information on label | | |

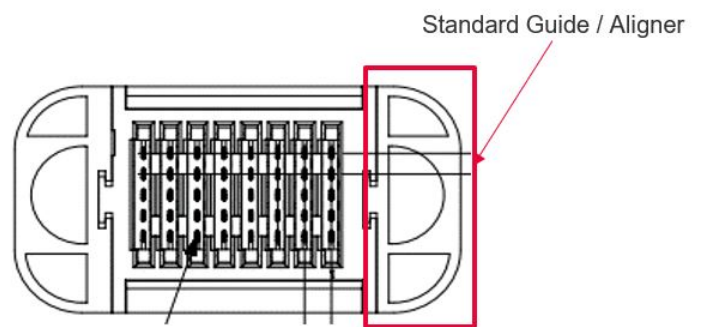
Before Picture

Product illustration

Extreme Ten60 BTB Power High-Current Connector Illustration



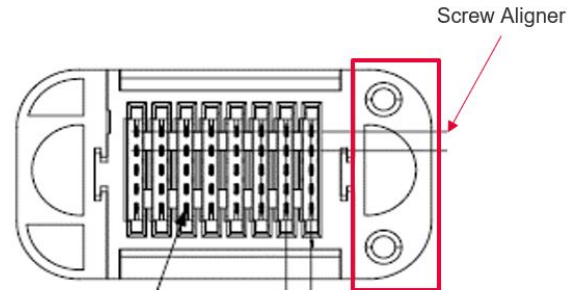
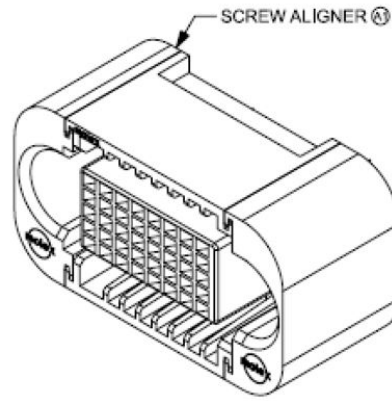
3D illustration



Backside illustration

After Picture

- Molex shall replace Extreme Ten60 BTB Power High-Current Connector right side standard guide/aligner to a screw mount aligner (as highlighted in below image) as part of product improvement
- Product Impact
 - No fit and function attributes changes of the product. Form shall be updated as per pics provided..
- Part Number impacted as per attached impacted part number list
- Qualification report FAI and samples available upon request after the date shown above



RELEASED

You may address inquires regarding this PCN by clicking on the below link
mailto:pcn_coordinator@molex.com?subject=PCN_Notification:512817
 or contact your Local Sales Engineer.

Note: While responding, please retain " PCN Notification : **PCN Notification: 512817** " in the e-mail Subject line for faster response.

Molex, LLC
 2222 Wellington Court
 Lisle, IL 60532
 TEL (800) 786-6539
www.molex.com

PCN No Part List

512817 [0465623127](#)

512817 [0465623128](#)

512817 [0465623129](#)

512817 [0465623130](#)

512817 [0465623131](#)

512817 [0465623132](#)

512817 [0465623133](#)