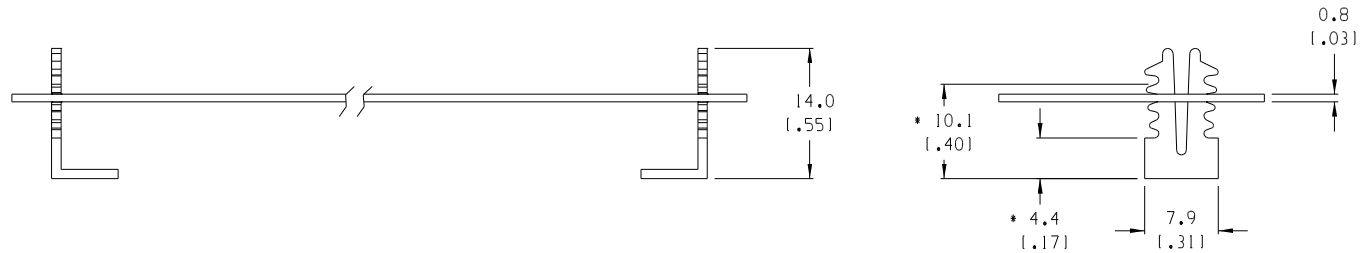
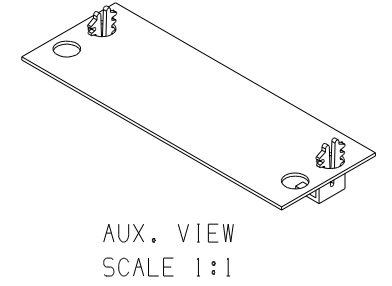
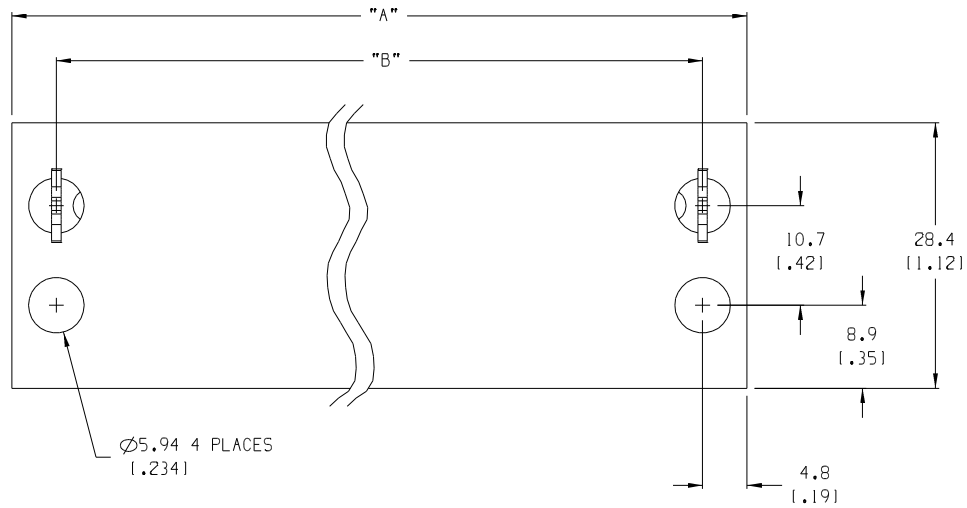


NO. OF CIRC.	DIM. "A"	DIM. "B"	KIT MATERIAL NO.
01	23.2 (1.92)	13.6 (1.54)	387836401
02	34.4 (1.35)	24.7 (1.97)	387836402
03	45.5 (1.79)	35.8 (1.41)	387836403
04	56.6 (2.23)	46.9 (1.85)	387836404
05	67.7 (2.67)	58.0 (2.29)	387836405
06	78.8 (3.10)	69.2 (2.72)	387836406
07	89.9 (3.54)	80.3 (3.16)	387836407
08	101.0 (3.98)	91.4 (3.60)	387836408
09	112.1 (4.42)	102.5 (4.04)	387836409
10	123.3 (4.85)	113.6 (4.47)	387836410
11	134.4 (5.29)	124.7 (4.91)	387836411
12	145.5 (5.73)	135.8 (5.35)	387836412
13	156.6 (6.17)	146.9 (5.79)	387836413
14	167.7 (6.60)	158.1 (6.22)	387836414
15	178.8 (7.04)	169.2 (6.66)	387836415
16	189.9 (7.48)	180.3 (7.10)	387836416
17	201.0 (7.92)	191.4 (7.54)	387836417
18	212.2 (8.35)	202.5 (7.97)	387836418
19	223.3 (8.79)	213.6 (8.41)	387836419
20	234.4 (9.23)	224.7 (8.85)	387836420
21	245.5 (9.67)	235.8 (9.29)	387836421
22	256.6 (10.10)	247.0 (9.72)	387836422
23	267.7 (10.54)	258.1 (10.16)	387836423
24	278.8 (10.98)	269.2 (10.60)	387836424
25	289.9 (11.42)	280.3 (11.04)	387836425
26	301.1 (11.85)	291.4 (11.47)	387836426
27	312.2 (12.29)	302.5 (11.91)	387836427
28	323.3 (12.73)	313.6 (12.35)	387836428
29	334.4 (13.17)	324.7 (12.79)	387836429
30	345.5 (13.60)	335.9 (13.22)	387836430



NOTES:

1. MATERIAL: SEE TABLE
2. FINISHES: SEE TABLE
3. PRODUCT SPECIFICATION: NOT REQUIRED
4. PACKAGING: NOT REQUIRED
5. MATES WITH: 18 AND 78 SERIES BTS
6. (* *) DIMENSIONS INDICATE MAX. AND MIN. COVER HEIGHT.

ITEM	QTY.	DESCRIPTION	MATERIAL	FINISH
2	2	COVER CLIPS	ACETAL	NATURAL
1	1	BTS COVER	VULCANIZED FIBER	BLACK

EC NO. RELEASED CLY	MAJOR SYMBOLS	GENERAL TOLERANCES: (UNLESS SPECIFIED)		SCALE: 2:1	DESIGN UNITS: <input type="checkbox"/> mm <input checked="" type="checkbox"/> INCH	THIRD ANGLE PROJECTION	PROJECT NO. -	-	-
		4 PLACES	mm	INCH	DRAWN BY & DATE C. YORK 10-04-04		DIMENSIONS: <input checked="" type="checkbox"/> mm <input type="checkbox"/> INCH <input type="checkbox"/> mm ONLY		
DESCRIPTION	CRITICAL	3 PLACES	± 0.038	± 0.005	CHECKED BY & DATE		SHT REV		
	SPC	2 PLACES	± 0.13	± 0.01	APPROVED BY & DATE	TITLE: BTS COVER KIT, FLAT			
REV	S	1 PLACE	± 0.3			MATERIAL NO. SEE CHART			
ANGULAR: $\pm 2^\circ$		DRAFT WHERE APPLICABLE MUST REMAIN WITHIN DIMENSIONS		CAD FILENAME: CAO4XX	DRAWING NO. SD-38783-001		SHEET NO. 1 OF 1		
THIS DRAWING CONTAINS INFORMATION THAT IS PROPRIETARY TO MOLEX INCORPORATED AND SHOULD NOT BE USED WITHOUT WRITTEN PERMISSION.						SIZE B			