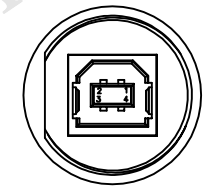
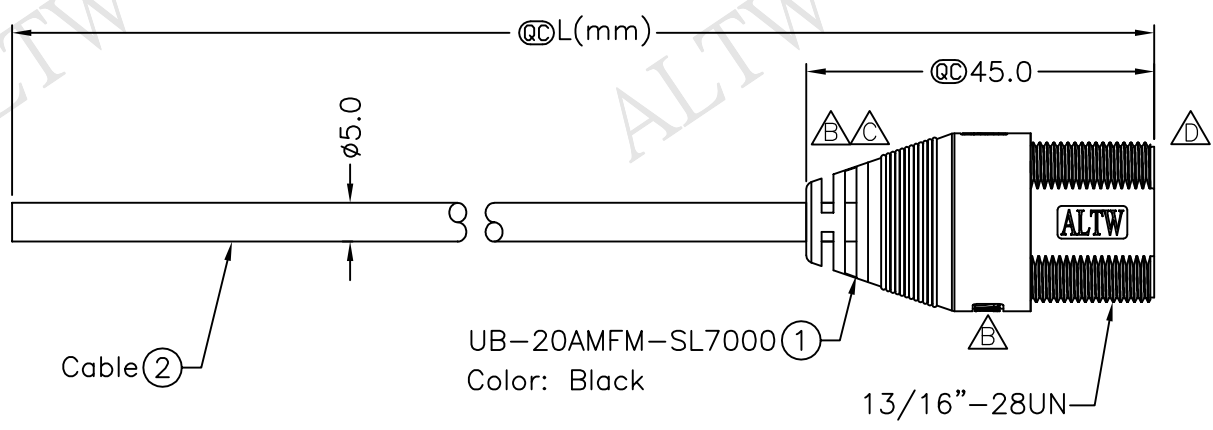
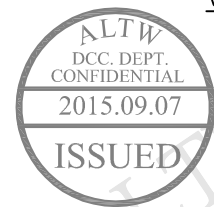


REV.	ECN NO.	DATE	SIGN	DESCRIPTION
B	LEN-780180	2007/08/17	Rommel A. Vergara	Change SR (Strain Relief) and interchange position of logo
C	LEN-950162~5	2009/03/23	Li Xiu Zhi	Change SR View
D	LEN1590117~20	2015/07/29	Ann	Change Logo



Conn.



UB-20AMFM-SL7000 ①
Color: Black

13/16"-28UN

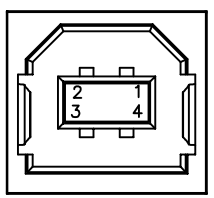
UB-20AMFM-SL7AXX

- XX :01~05Meters
- 01 :01Meter
- 02 :02Meters
- ...
- 05 :05Meters

Cable Length(L):01~05Meters

Notes:

- * @ Important Dimensions.
- * Waterproof Rate: IP67
- * Housing: ABS 94V-0, Black
- * Jack: USB B Type
- * Cable: USB2.0 28#*1P+24#*2C+Al/My+D+B PVC Jacket, UV Resist OD=5.0, Black
- * Cable Length Tolerance:01M:40mm
02M~05M:±60mm
06M~10M:±100mm
11M~30M:±200mm
31M~99M:±500mm



Pin Assignments
Front View

Drain	地線	Shield
Black	黑	4
Green	綠	3
White	白	2
Red	紅	1
Wire Color		Conn.

Twist

UNIT:mm	
TOLERANCE	±0.5 mm

TITLE	USB	
	CABLE SCREW 20B M CONN F PIN	
SCALE	Free	SHEET 1 OF 1
REV.	D	SIZE A4
		@ :Inspection Item

Amphenol LTW
安費諾亮泰企業股份有限公司

ITEM NO	
DWG NO	UB-20AMFM-SL7AXX
CUSTOMER	ALTW

DRAWN BY	Ann
CHECKED BY	Nick
APPROVED BY	Lion

DATE	2015/07/29
DATE	2015/07/29
DATE	2015/07/29

THIS DOCUMENT IS SUBJECT TO CHANGE WITHOUT NOTICE. IT IS CONFIDENTIAL AND A PROPERTY OF Amphenol LTW. DISCLOSE TO THIRD PARTY HAS TO BE AUTHORIZED BY Amphenol LTW.