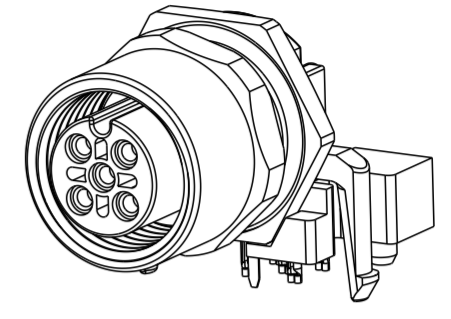
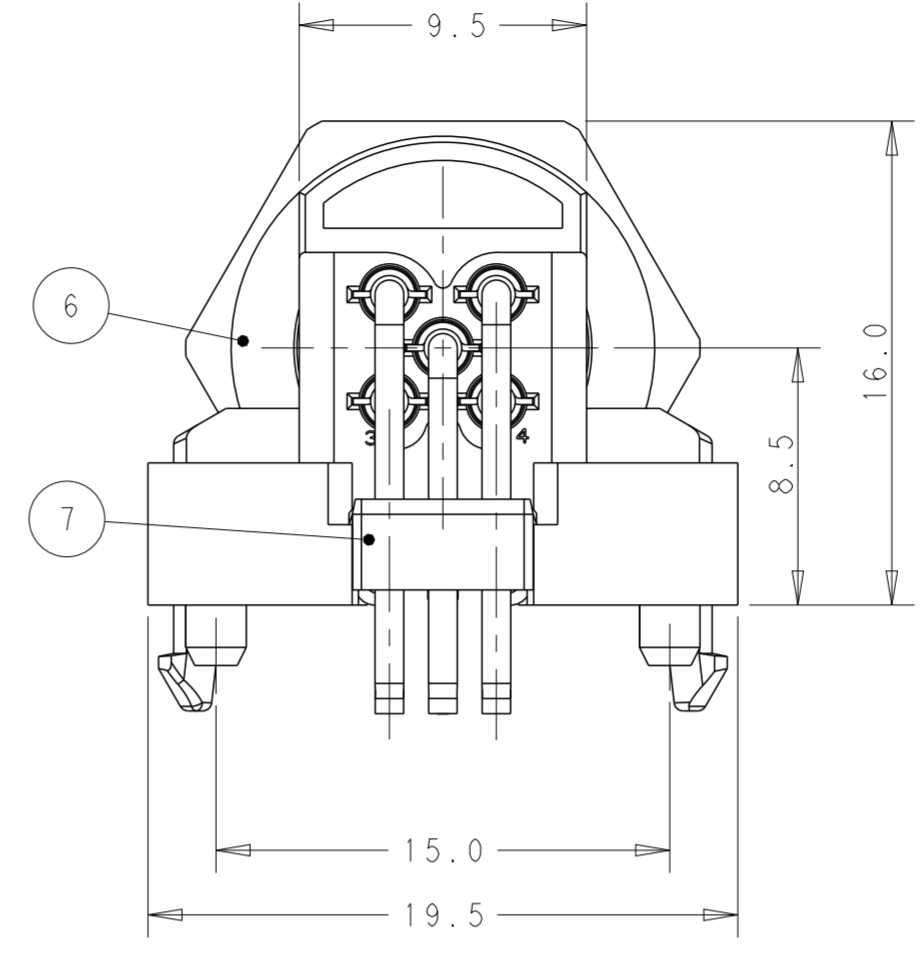
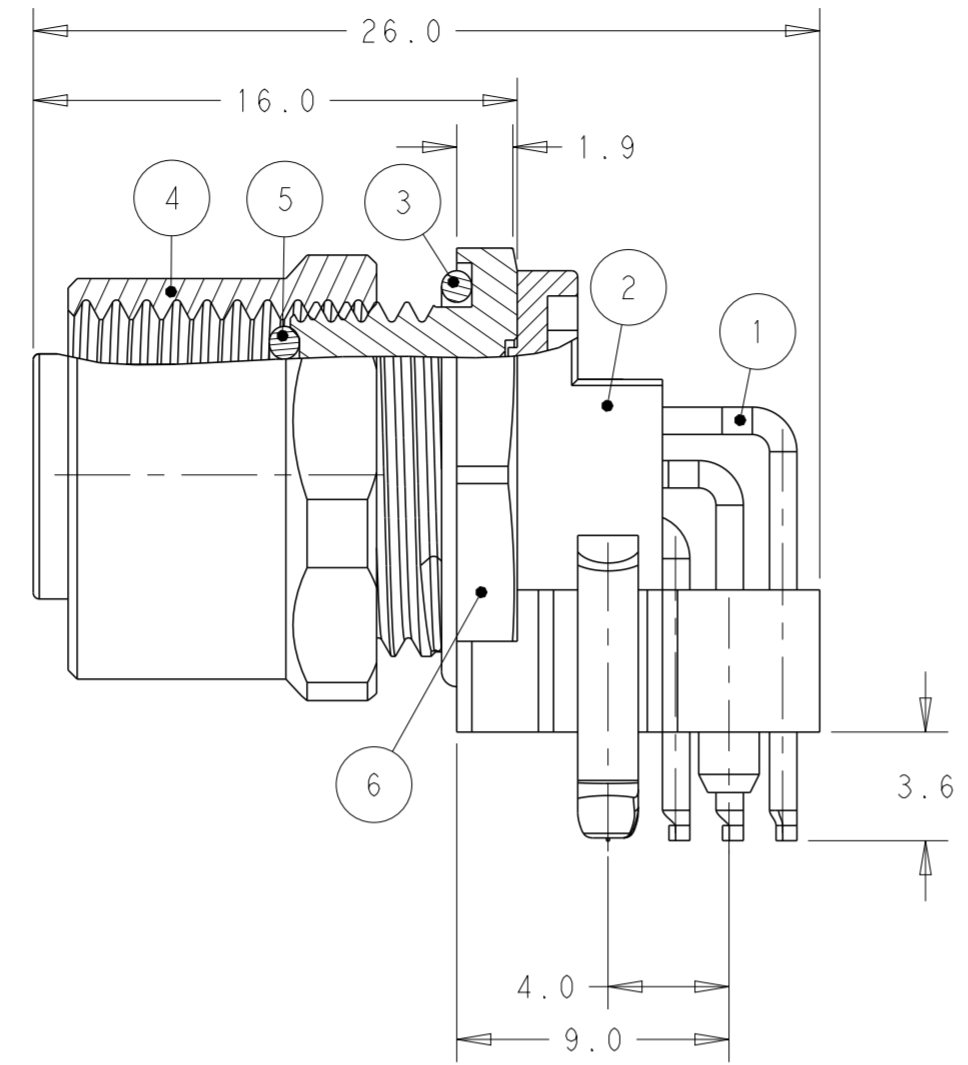
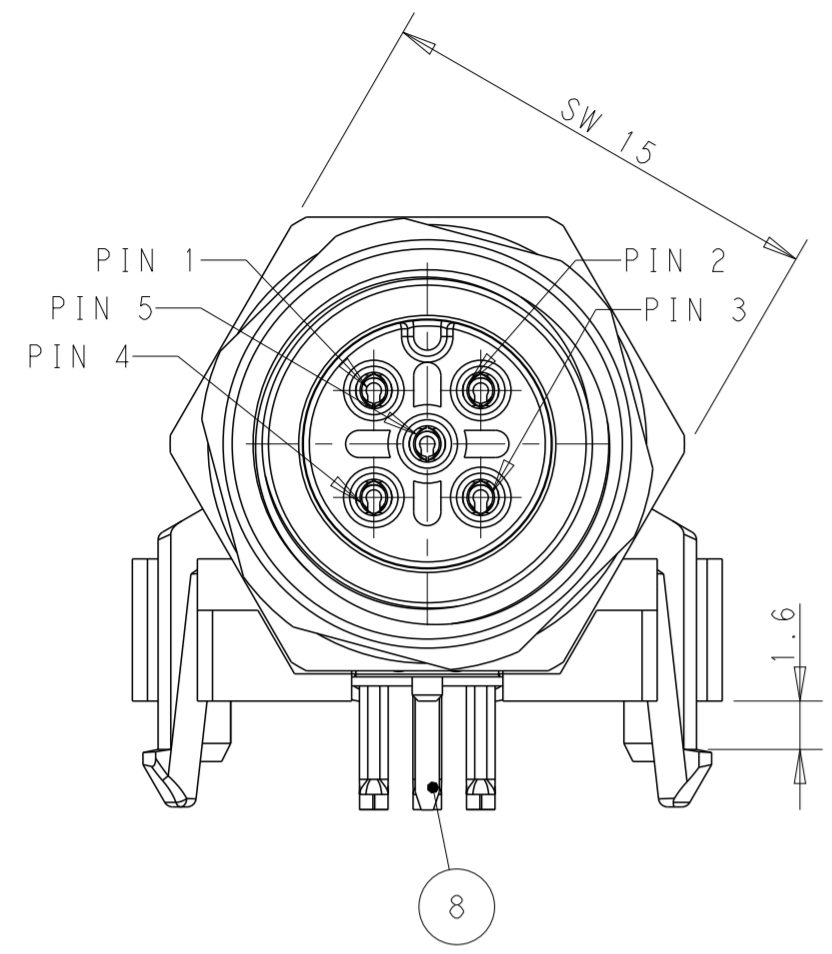


THIS DRAWING IS UNPUBLISHED. RELEASED FOR PUBLICATION
 © COPYRIGHT - ALL RIGHTS RESERVED.

REVISIONS				
P	LTR	DESCRIPTION	DATE	APVD
A		INITIAL RELEASE	27OCT2016	N.P X.X
A1		ECR-19-008471	08JUN2019	G.W C.W
B		ECR-20-013880	16NOV2021	B.P C.W

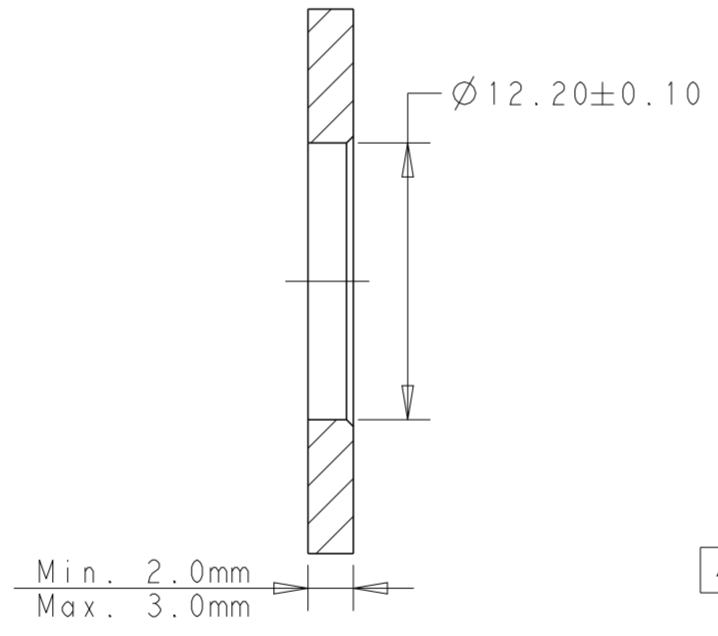


- NOTES:
1. TECHNICAL DATA: SEE TABLE 1
 2. PIN ARRANGEMENT: SEE TABLE 2
 3. RECOMMEND TORQUE 0.6Nm
 4. ALL DIMENSIONS ARE FOR NOMINAL REFERENCE UNLESS OTHERWISE STATED
 5. PACKAGING: PER PACKAGING SPECIFICATION

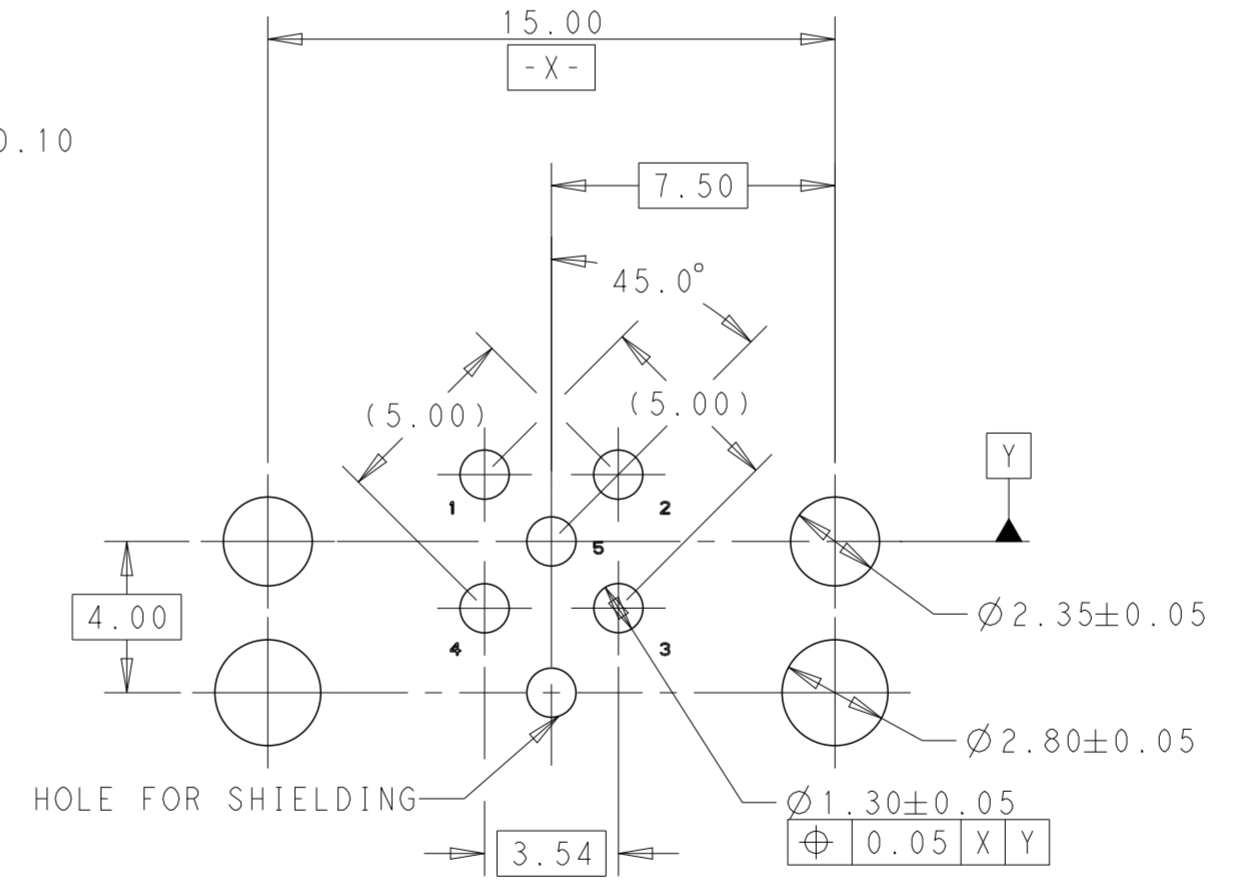
- 注意事项
1. 技术参数：见表1
 2. PIN 针排布见表2；
 3. 推荐扭矩0.6Nm；
 4. 所有尺寸仅供参考，除非另有说明
 5. 包装：按照包装规范包装

TABLE 1

TECHNICAL DATA	T4145035021-XX1	T4145035031-XX1	T4145035041-XX1	T4145035051-XX1
RATED VOLTAGE	250V	250V	250V	60V
RATED IMPULSE VOLTAGE	2500V	2500V	2500V	1500V
RATED CURRENT	4A	4A	4A	4A
POLLUTION DEGREE	3	3	3	3
OVERVOLTAGE CATEGORY	II	II	II	II
MATERIAL GROUP	II	II	II	II
CONTACT RESISTANCE	≤5mΩ	≤5mΩ	≤5mΩ	≤5mΩ
INSULATION RESISTANCE	>100MΩ	>100MΩ	>100MΩ	>100MΩ
DEGREE OF PROTECTION	IP67	IP67	IP67	IP67
OPERATION TEMPERATURE	-40~85°C	-40~85°C	-40~85°C	-40~85°C



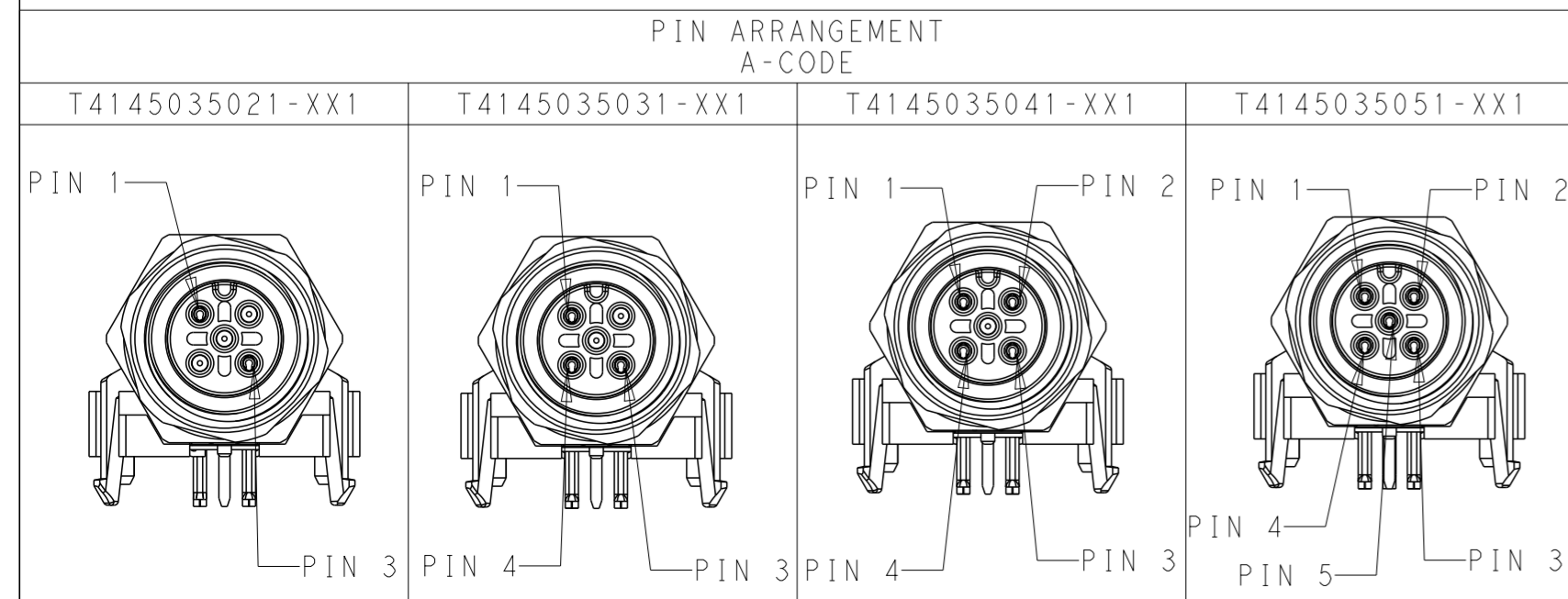
RECOMMENDED PANEL SIZE



RECOMMENDED PCB LAYOUT
 PCB THICKNESS: 1.6mm

	MATERIAL	DESCRIPTION	ITEM
	BRASS	SHIELDING	8
	PA66	SPACER	7
-	BRASS	NUT	6
-	SILICONE	O-RING	5
-	BRASS	COUPLING NUT	4
	SILICONE	O-RING	3
BALCK COLOR	PA66	HOUSING	2
GOLD FLASH	BRONZE	CONTACT	1

TABLE 2



TYPE	POS.	PART NUMBER	PACKAGING
RPC-M12-FF-5CON-M12-MLPSH1	5	T4145035051-021	CUSTOMIZATION
RPC-M12-FF-4CON-M12-MLPSH1	4	T4145035041-021	CUSTOMIZATION
RPC-M12-FF-3CON-M12-MLPSH1	3	T4145035031-021	CUSTOMIZATION
RPC-M12-FF-5CON-M12-LPSH1	5	T4145035051-001	GENERAL
RPC-M12-FF-4CON-M12-LPSH1	4	T4145035041-001	GENERAL
RPC-M12-FF-3CON-M12-LPSH1	3	T4145035031-001	GENERAL
RPC-M12-FF-2CON-M12-LPSH1	2	T4145035021-001	GENERAL

THIS DRAWING IS A CONTROLLED DOCUMENT.

DWN Nick Pan 24AUG2016
 CHK Kobby Zhao 24AUG2016
 APVD Xiang Xu 24AUG2016

TE Connectivity

M12 RECEPTACLE CONNECTOR PCB ASSEMBLY, ANGLED, SHIELDED, A-CODE

108-106140
 114-137144

SIZE A2 CAGE CODE - DRAWING NO. G-T41450350X1001 RESTRICTED TO

SCALE 2:1 SHEET 1 OF 1 REV B