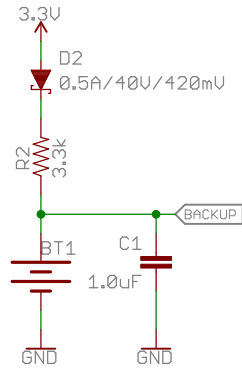
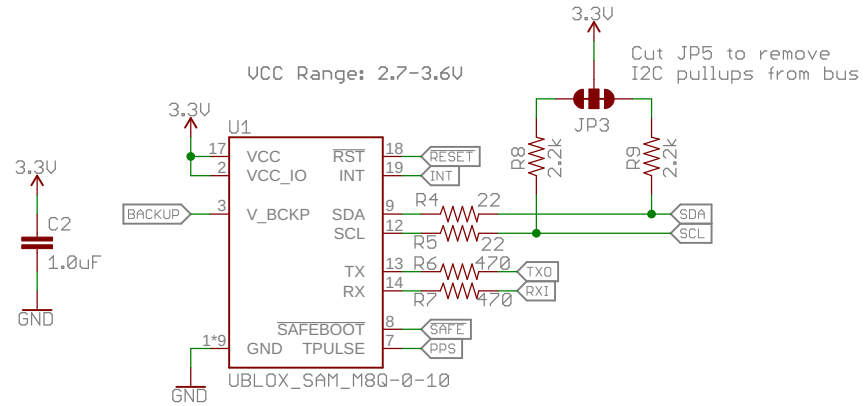


RTC Backup



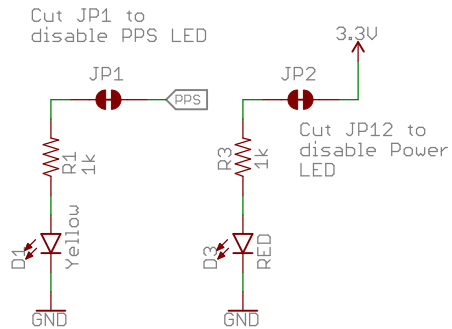
Battery Initial Charge: 2.3-2.8V
 Battery Charge Rate: 1mA MAX
 Uoff: 2.0V
 72 hours charge time from 2.0-3.1V

Ublox SAM-M8Q

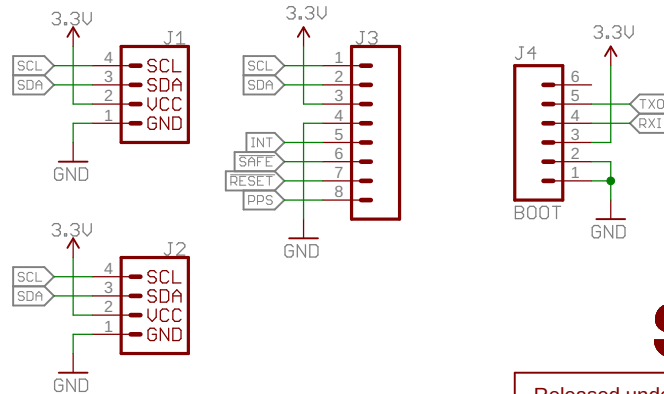


7-bit unshifted I2C address: 0x10

Pulse Per Second LED



Connectors



sparkfun open hardware

Released under the Creative Commons

Attribution Share-Alike 4.0 License

<https://creativecommons.org/licenses/by-sa/4.0/>



TITLE: SparkFun_Ublox SAM-M8Q

Design by: Nathan Seidle

Revised by: Elias Santistevan

REV:
v10

Date: 3/4/2019 4:04 PM

Sheet: 1/1