

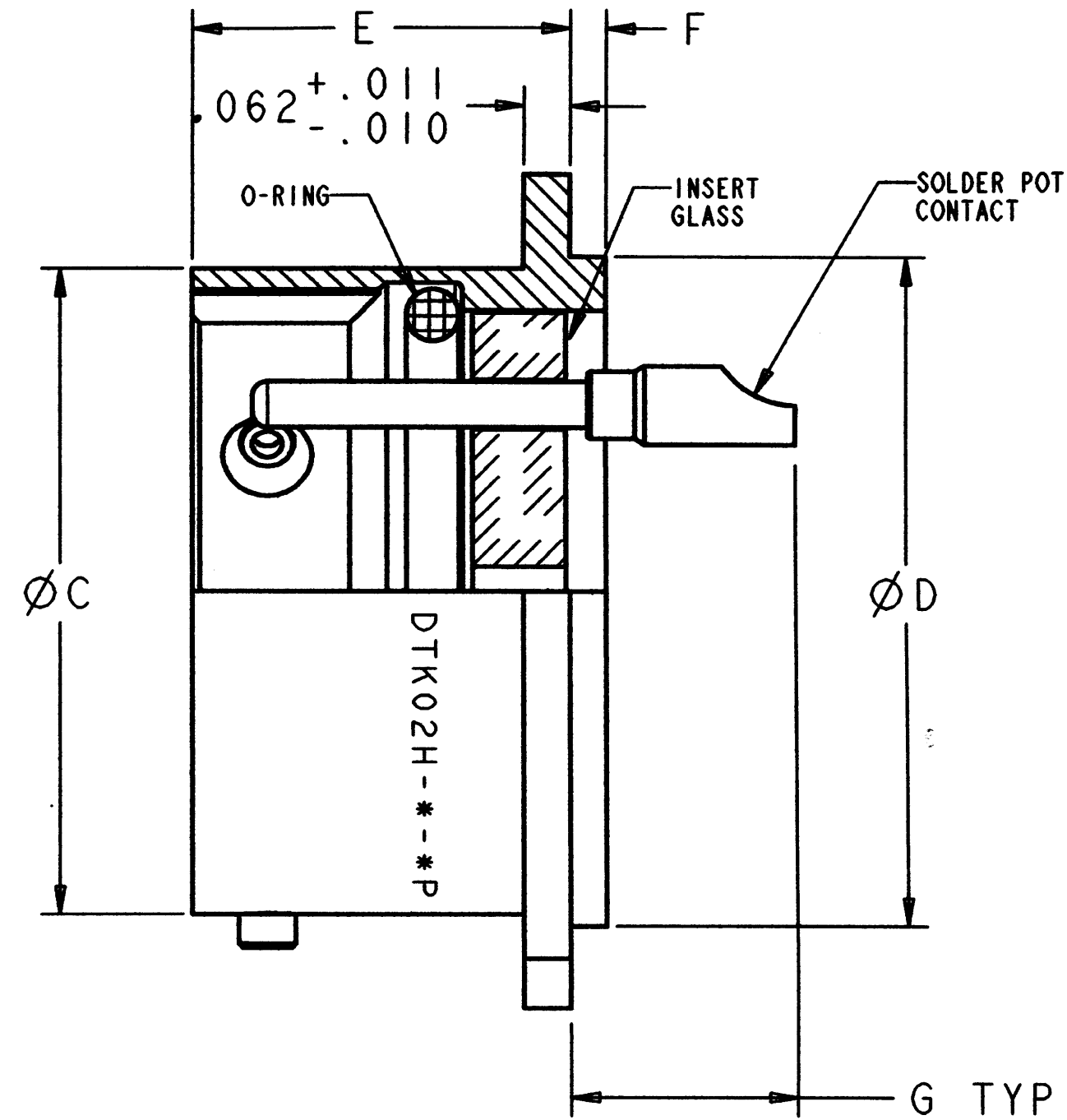
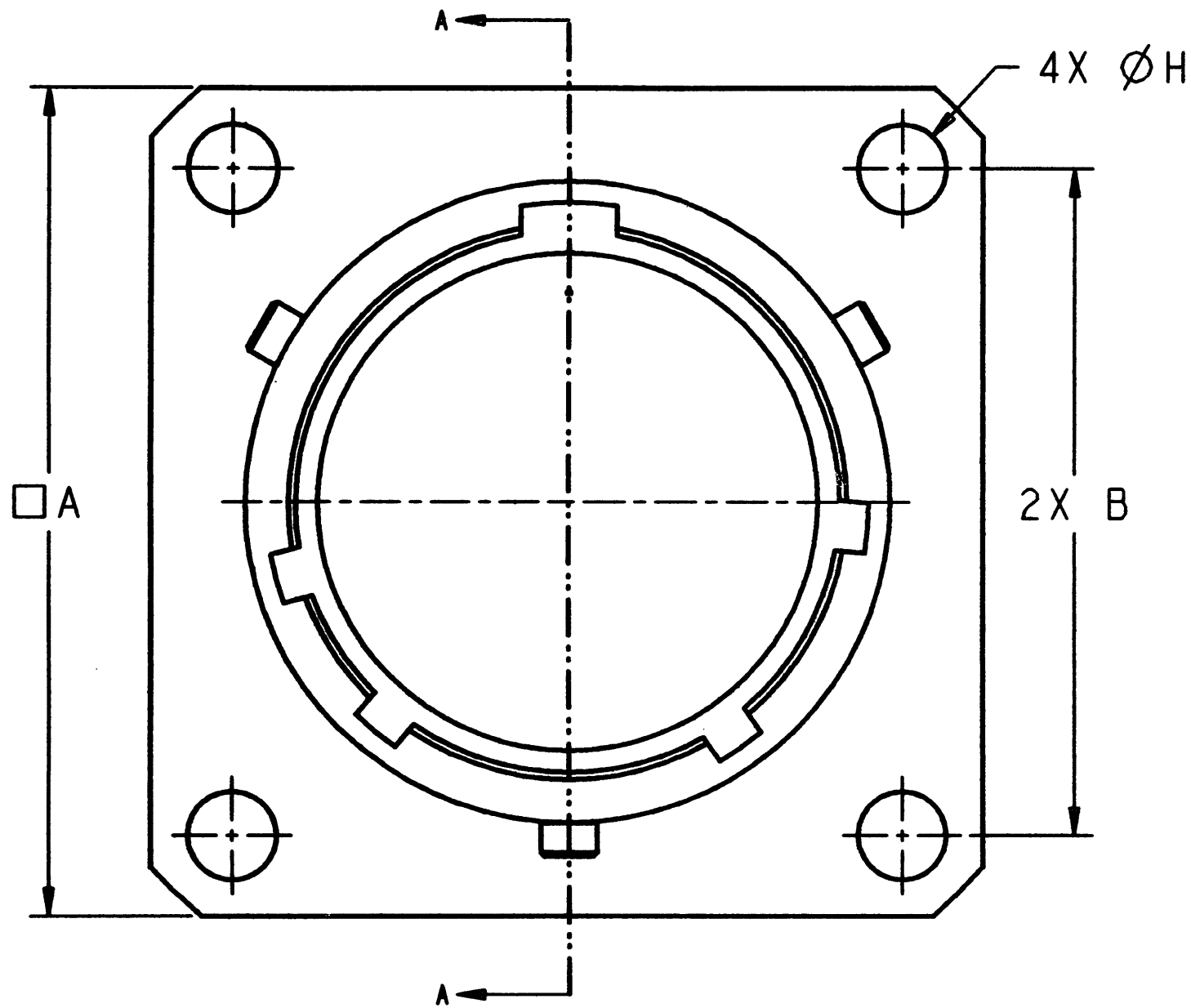
PROPERTY OF DEUTSCH E.C.D

THIS DRAWING CONTAINS PROPRIETARY INFORMATION THAT SHALL NOT BE DISCLOSED, DUPLICATED, NOR USED IN WHOLE OR IN PART FOR ANY PURPOSE OTHER THAN TO EVALUATE THIS DRAWING.

E DTK02H-\*-\*P

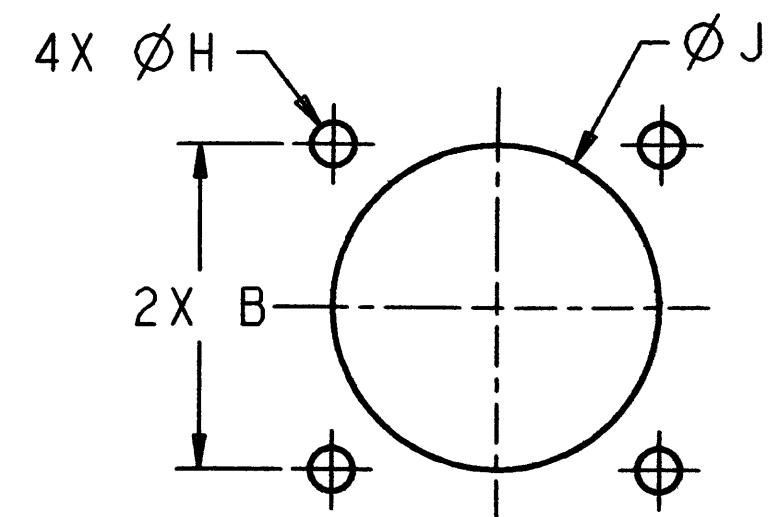
REVISIONS

REV	DESCRIPTIONS	DATE	APPROVED
C	UPDATED PER E.O. 46762	3/27/68	CAB
D	REDRAWN PER E.O.A 11271	2/15/91	L. Stalle
E	REDRAWN PER E.O.H 2455	11/11/98	L. Stalle



PART No:	A±.016	B±.005	+ .001 C-.005	+ .001 D-.005	+ .026 E-.005	F±.016	G MAX.	H±.005	+ .010 J-.000	WEIGHT (lb.)
DTK02H-08-*P	.812	.594	.473	.562	.494	.047	.344	.120	.572	.025
DTK02H-10-*P	.938	.719	.590	.672	.494	.047	.344	.120	.682	.035
DTK02H-12-*P	1.031	.812	.750	.781	.494	.047	.344	.120	.791	.037
DTK02H-14-*P	1.125	.906	.875	.906	.494	.047	.344	.120	.916	.047
DTK02H-16-*P	1.219	.969	1.000	1.031	.494	.047	.344	.120	1.041	.053
DTK02H-18-*P	1.312	1.062	1.125	1.156	.494	.047	.344	.120	1.166	.069
DTK02H-20-*P	1.438	1.156	1.250	1.250	.556	.047	.344	.120	1.260	.084
DTK02H-22-*P	1.562	1.250	1.375	1.375	.556	.079	.377	.120	1.385	.101
DTK02H-24-*P	1.688	1.375	1.500	1.500	.588	.079	.377	.147	1.510	.142

SECTION A-A



RECOMMENDED MOUNTING HOLE

- DIMENSIONS ARE IN INCHES UNLESS OTHERWISE SPECIFIED.
  - INSERT ARRANGEMENT PER MIL-STD-1669.
  - LEAK RATE: 1E-8 cc/sec He @ 1 atm.
  - MATES WITH ML-C-26482 SERIES I PLUG.
  - MATERIAL:  
SHELL - C1215 MILD STEEL  
INSULATOR - GLASS INSERT  
CONTACT - 52 HIGH NICKEL-IRON ALLOY  
O-RING - SILICONE
  - FINISH:  
SHELL & CONTACT - TIN OVER NICKEL
- NOTE(S):

PART NUMBER DESCRIPTION:

DTK02H-\*-\*P\*

SHELL SIZE:  
10, 12, 14, 16, ....

INSERT POSITION:  
EXAMPLE; W, X, Y, Z  
BLANK = NORMAL

INSERT ARRANGEMENT:

FILE: DTK02H-X-XP-ENV

UNLESS OTHERWISE SPECIFIED: DIMENSIONS ARE IN INCHES DECIMALS XXX ± .005 ANGLES ± .5 T.I.R. .010 PARTS TO HAVE NO BURRS OR SHARP EDGES	SIGNATURE & DATE	CONNECTOR, RECEPTACLE  HERMETIC PIN UNIT SQUARE FLANGE MOUNT BAYONET COUPLING  ENVELOPE	CP	MATL CODE 73
	DR		 680 Airport Road Oceanside, California	
	CHK			
	PE			
MATERIAL	APPD	C DTK02H-*-*P	DWG SIZE	CAGE CODE 11139
FINISH	SCALE: 5.000		SHEET 1 OF 1	