

CGA9N4C0G2E154J230KE

TDK Item Description : CGA9N4C0G2E154JT***S



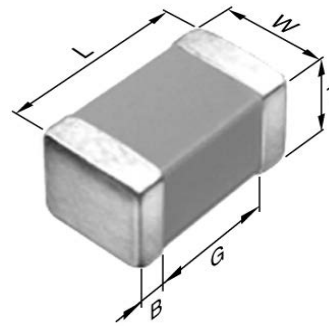
Equivalent C5750C0G2E154J for Automotive

Application & Main Feature

Automotive Grade (Soft Termination)

Series

CGA9(5750) [EIA 2220]



Dimensions

L	5.70mm +0.5,-0.4mm
W	5.00mm ±0.40mm
T	2.30mm +0.3,-0.2mm
B	0.20mm Min.
G	

Temperature Characteristic

C0G (-55 to 125 degC 0+/-30ppm/degC)

Rated Voltage

2E(250Vdc)

Capacitance

150nF

Capacitance Tolerance

J (±5%)

Q Factor

1000 Min.

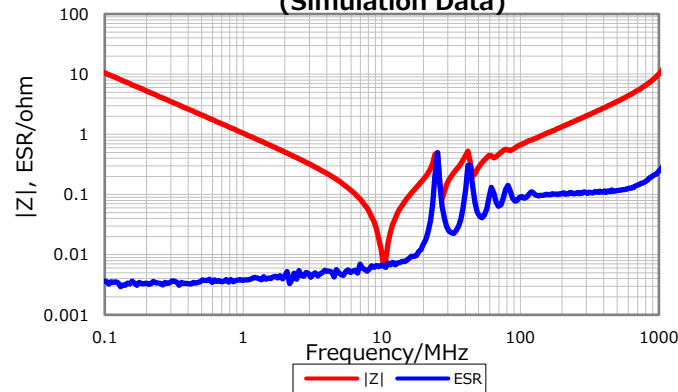
Insulation Resistance

3.33Gohm Min

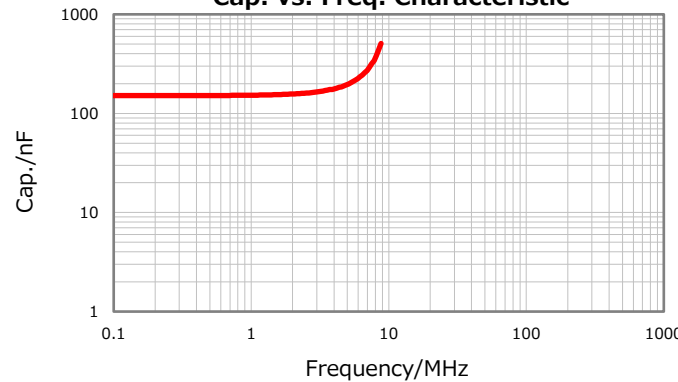
AEC-Q200

Yes

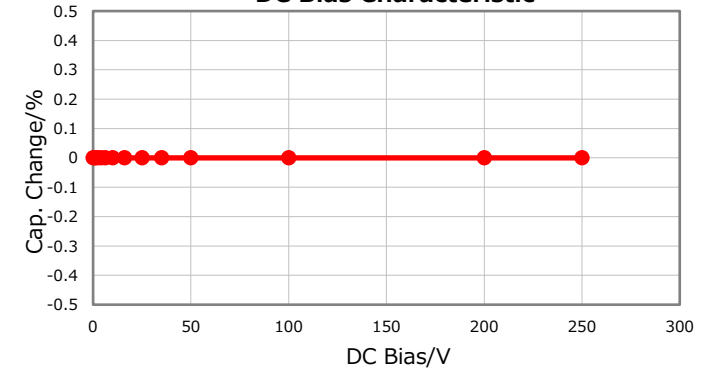
|Z|, ESR vs. Freq. Characteristics (Simulation Data)



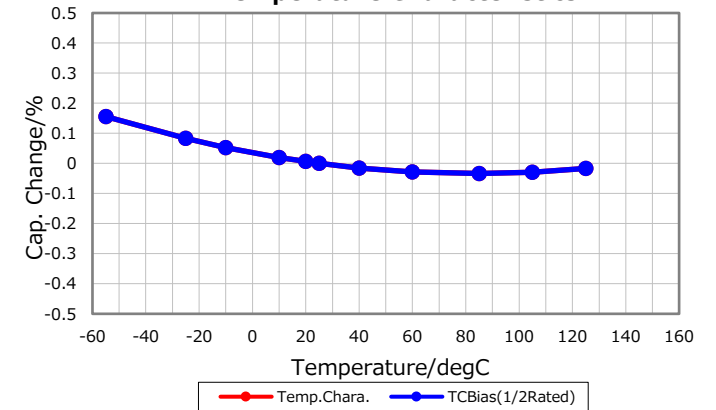
Cap. vs. Freq. Characteristic



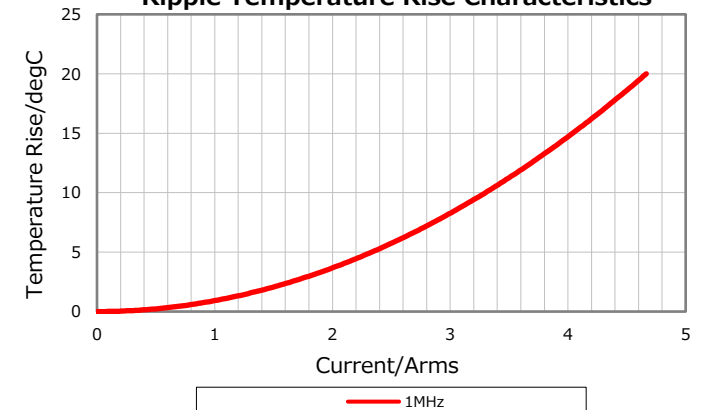
DC Bias Characteristic



Temperature Characteristics



Ripple Temperature Rise Characteristics



Characterization Sheet (Multilayer Ceramic Chip Capacitors)



All specifications are subject to change without notice.

June 24, 2019