



ANATECH ELECTRONICS INC
RF & Microwave Filters & Products

10 MHz MHz LC Bandpass Filter

Part Number: AE10B11036



Electrical specifications

Center Frequency: 10 MHz
Passband: 8-12 MHz
Bandwidth: 4 MHz
Insertion loss: +/- 1 dB from Fc max
Return loss: @CF >14 dB
Rejection 1: 20 dB@7.0 MHz
Rejection 2: 20 dB@13.75 MHz

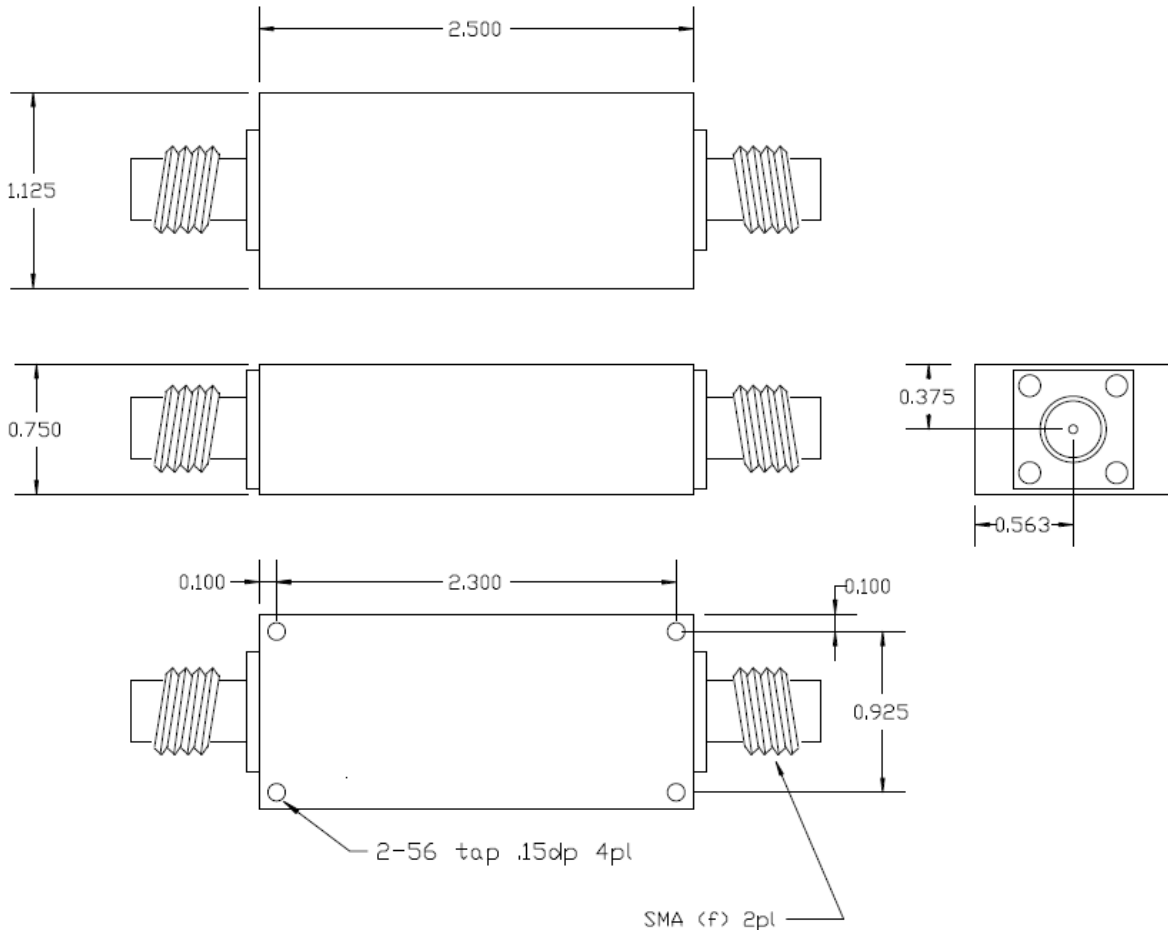
Mechanical

Mounting Method: Threaded Mounting Holes
Connector Type: SMA Female
Dimensions: 2.50" X 1.12" X 0.75" in

Environmental

Operating Temperature: -45 to +85° C
Storage Temperature: -55 to +95° C
Shock: 20 G. 11ms
Vibration: 20 G. 5 to 200 MHz

Outline Drawing:





10 MHz MHz LC Bandpass Filter

Part Number: AE10B11036



ANATECH ELECTRONICS INC
RF & Microwave Filters & Products

Plot:

