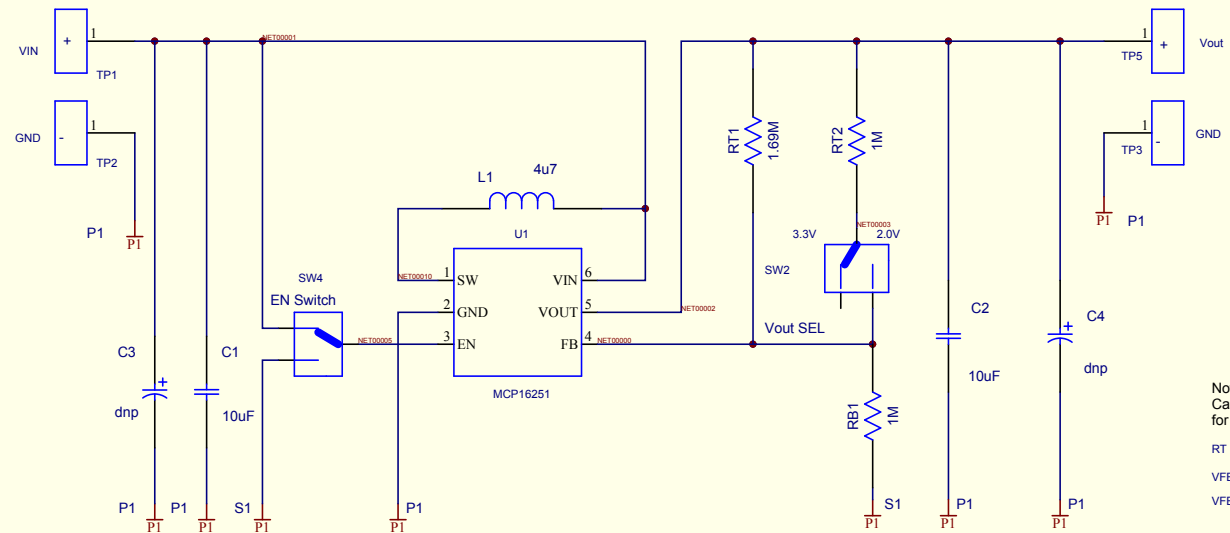
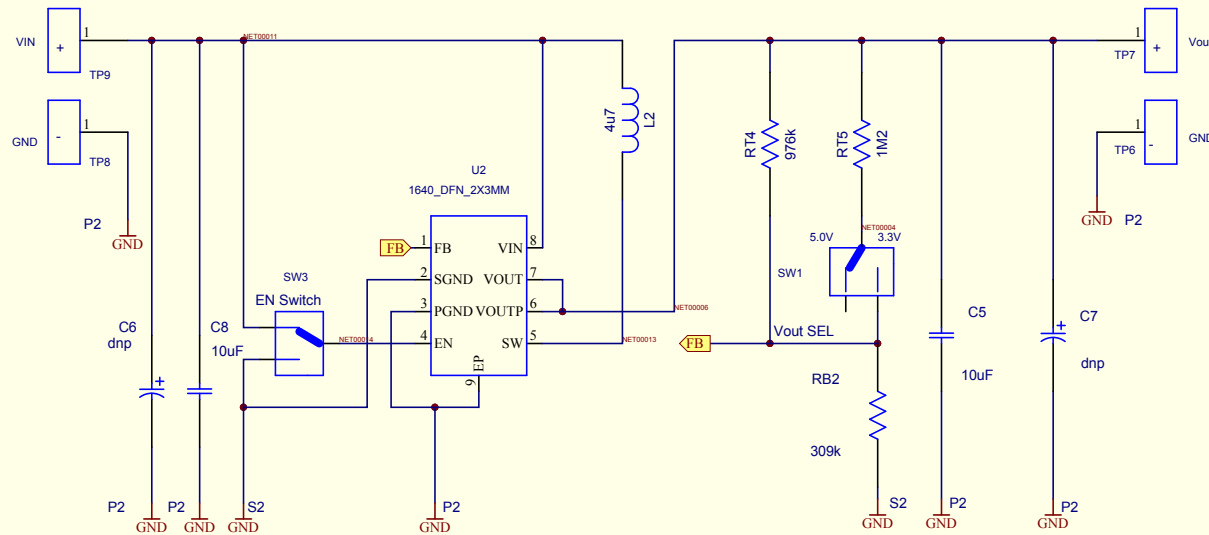


Revision History				
Rev.	ECO	Description	Date	Approved



Note:
Calculate RT resistors
for a particular Vout as:
 $RT = RB * ((Vout / VFB) - 1)$
VFB = 1.21V - MCP1640
VFB = 1.23V - MCP16251



Drawn	Mihai Tanase	Date	02-03-2011
Checked		Date	
Approved		Date	
Approved		Date	
Approved		Date	

Title		
MCP16251 & MCP1640B Synch Boost Converters Eval Board		
Size	Doc. Number	Rev.
B	ADM00458	1.0