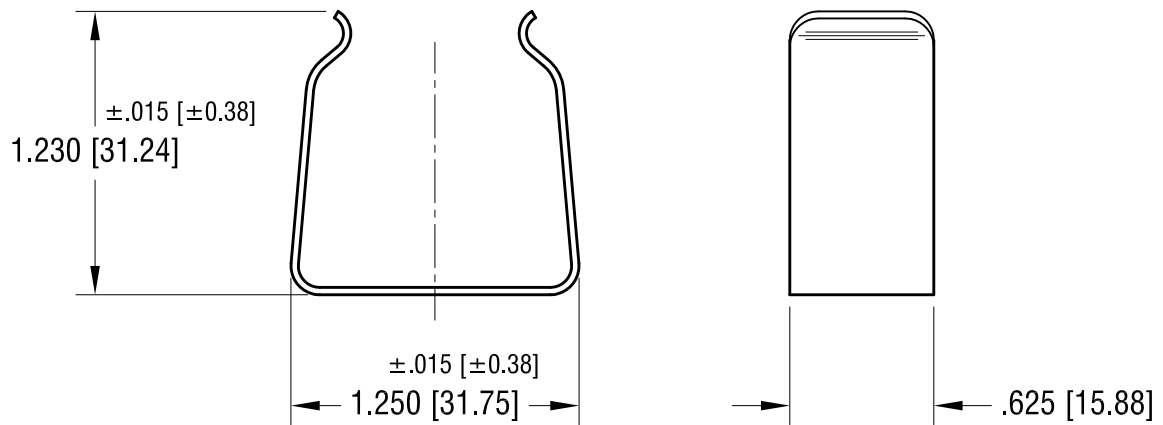
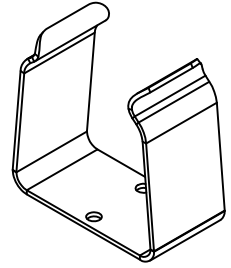
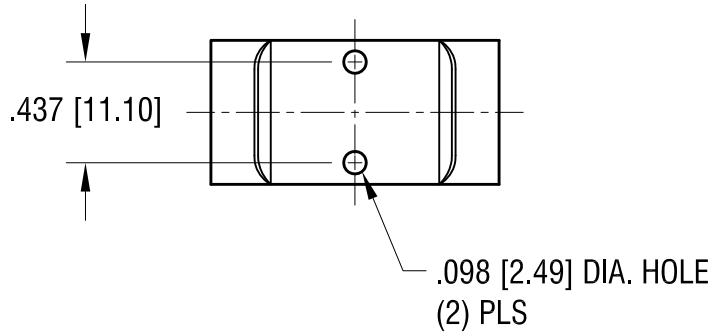


THIS DOCUMENT IS THE PROPERTY OF  
KEYSTONE ELECTRONICS CORP. AND  
SHALL NOT BE REPRODUCED, DISTRIBUTED  
OR USED AS A BASIS FOR MANUFACTURE  
WITHOUT PRIOR WRITTEN PERMISSION  
FROM KEYSTONE ELECTRONICS CORP.

ACTUAL SIZE



**KEYSTONE ELECTRONICS CORP.**

www.keyelco.com • NEW HYDE PARK, NY 11040 • Tel (516) 328-7500

PART NAME		COMPONENT CLIP, 'D' CELL	
MATERIAL		.032 TH'K ALUMINUM 2024-T3	
FINISH	-	DRN BY	BOONE
		APP'D	RH
		DATE	11.03.81
		SCALE	1.2X
TOLERANCES	INCH [MM]	CODE	DWG NO.
DECIMAL	± .010 [± 0.25]	C	94
ANGULAR	± 1°		
UNLESS OTHERWISE SPECIFIED			

2.28.23	CHANGE AS PER ECN 23-028	B
1.08.01	CHANGE AS PER ECN 01-004	A
DATE	DESCRIPTION	REV.