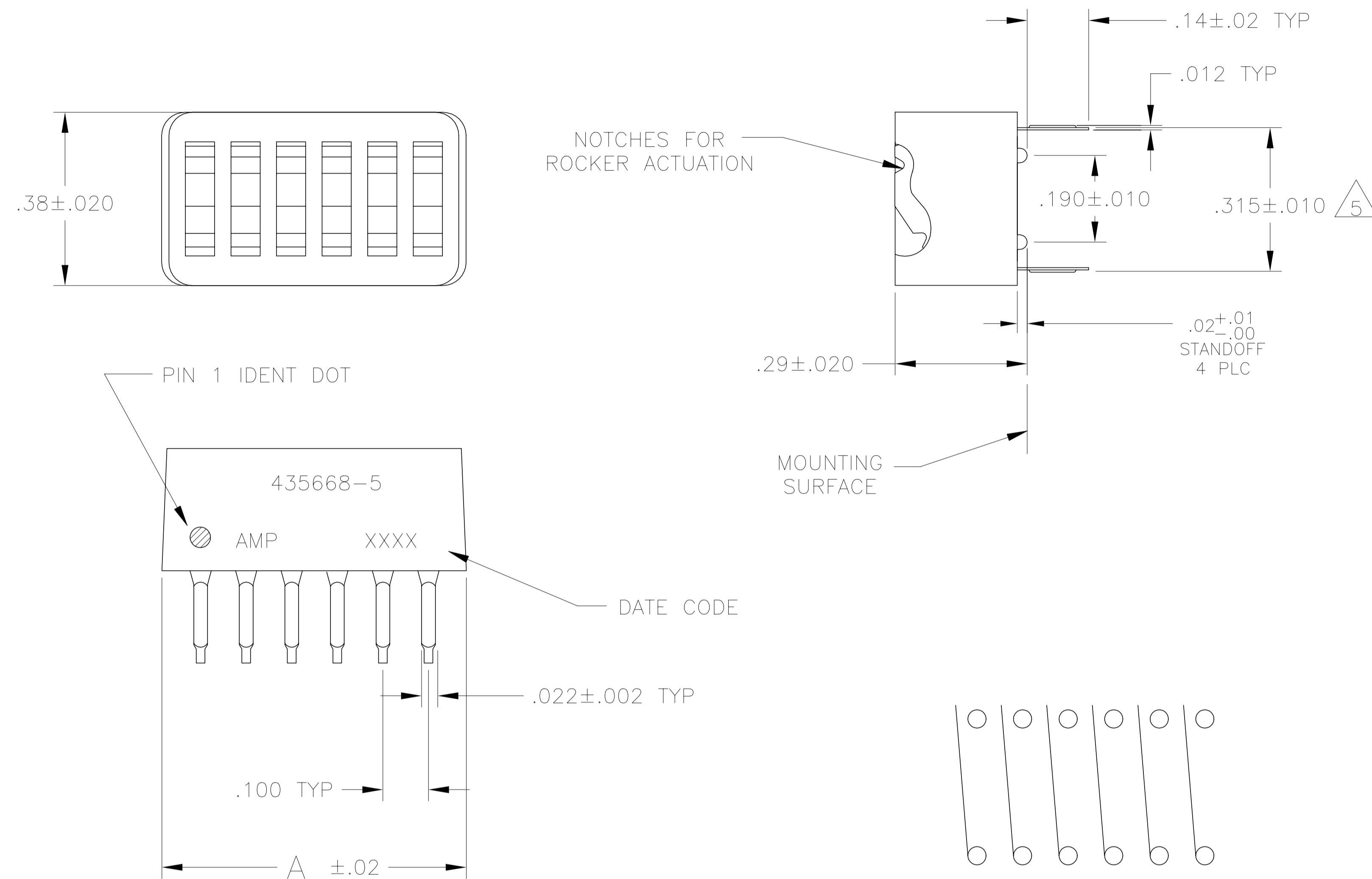


REVISIONS					
P	LTR	DESCRIPTION	DATE	DWN	APVD
	B	ECO-20-004897	24AUG2020	SB	JB



- FOR ADDITIONAL SPECIFICATIONS SEE AMP PRODUCT SPEC 108-7532.
- SWITCH SHOWN IN OPEN POSITION.
- ALL CHARACTERS AND ROCKERS ARE WHITE, HOUSING IS BLUE.
- LASER MARKING WILL VARY ON 2 AND 3 POSITION SIDES DUE TO SPACE RESTRICTIONS.
- .315 DIMENSION APPLIES AT TERMINAL TIPS. TERMINALS ARE .300 +.010 AT MOUNTING SURFACE. -.000
- ALL MATERIALS AND FINISHES SHALL COMPLY WITH EU DIRECTIVE 2002 /95/EC OF 27JAN2003 (ROHS).
- MATERIAL: HOUSING AND ROCKERS - POLYESTER CONTACT & SOLDER LEAD - COPPER ALLOY
- FINISH: CONTACT - GOLD OVER NICKEL SOLDER LEAD - TIN OVER NICKEL
- OBSOLETE PARTS: OBSOLETE CIS STREAMLINING PER D.RENAUD/D.SINISI
- MARKS WILL BE ADDED BY LASER MARK PROCESS.

C

B

A

CONTACT ARRANGEMENT

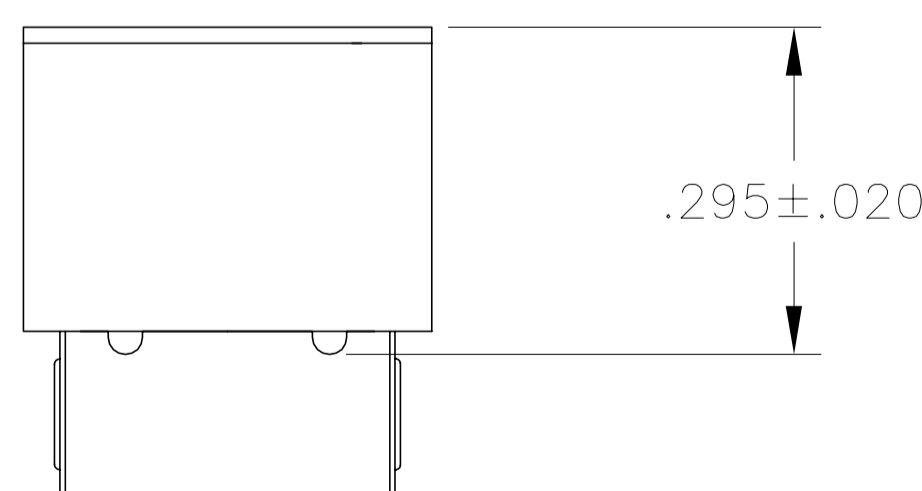
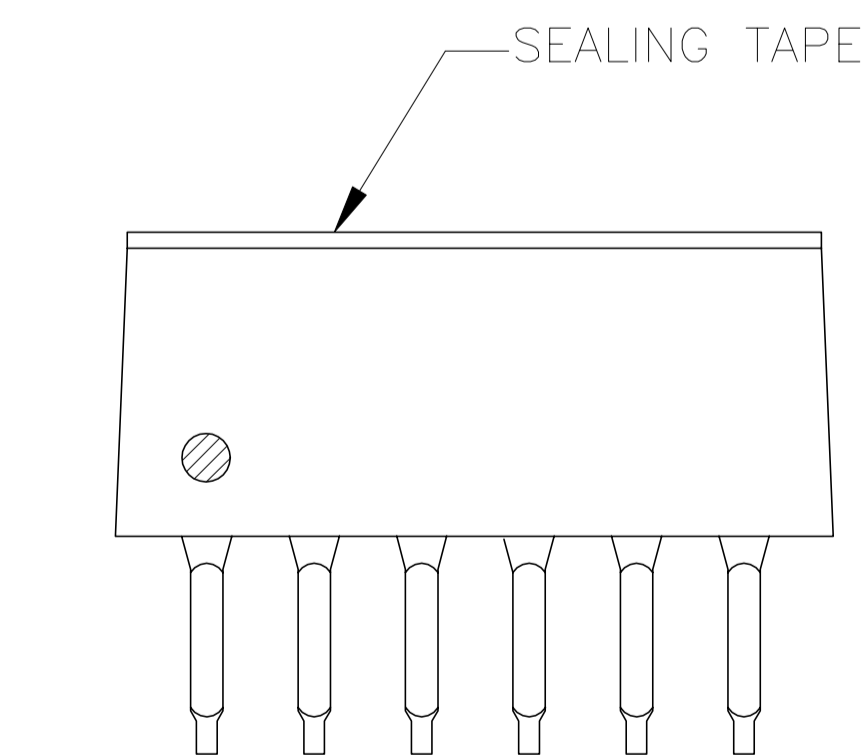
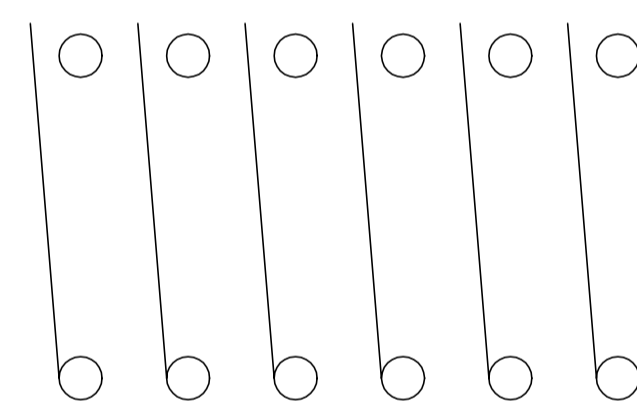


FIG 1

FIGURE	DESCRIPTION	SIZE	NO OF POSN	PART NO
9	OBSOLETE	FIG 7	5	8-5435668-7
			5	3-5435668-5
			4	3-5435668-4
			3	3-5435668-3
9	OBSOLETE	FIG 1	12	3-5435668-2
9	OBSOLETE		11	3-5435668-1
			10	3-5435668-0
9	OBSOLETE	FIG 2	9	2-5435668-9
			8	2-5435668-8
			7	2-5435668-7
			2	2-5435668-6
			6	2-5435668-5
			10	5435668-9
			8	5435668-7
			6	5435668-5
			5	5435668-4
			4	5435668-3
9	OBSOLETE		2	5435668-1

THIS DRAWING IS A CONTROLLED DOCUMENT.		DWN BSV	08JAN05	<b>TE</b> TE Connectivity Ltd.	
DIMENSIONS: INCHES		CHK -	-		
TOLERANCES UNLESS OTHERWISE SPECIFIED:		APVD -	-	NAME	
0 PLC ± -		PRODUCT SPEC		SWITCH ASSY, DIP, TYPE C, 7100 SERIES, SPST, LOW PROFILE	
1 PLC ± -		APPLICATION SPEC		-	
2 PLC ± -		WEIGHT		SIZE	RESTRICTED TO
3 PLC ± .005		-		A2	-
4 PLC ± -		-		CAGE CODE	DRAWING NO
ANGLES ± -		-		00779	C=5435668
FINISH		CUSTOMER DRAWING		SCALE	SHEET
7		8		4:1	1 of 2
				REV	B

REVISIONS					
P	LTR	DESCRIPTION	DATE	DWN	APVD
-	-	SEE SHEET 1	-	-	-

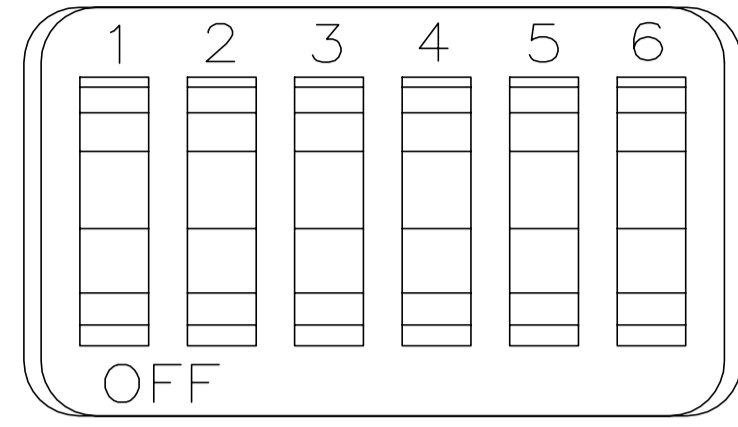


FIG 2

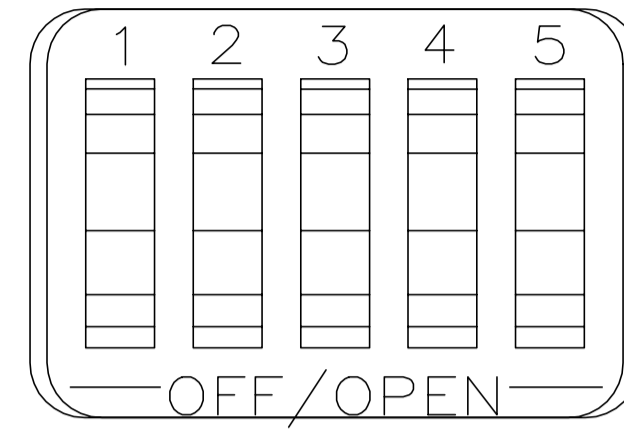


FIG 7


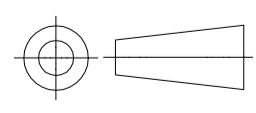
D

C

B

A

5435668

THIS DRAWING IS A CONTROLLED DOCUMENT.		DWN BSV	08JAND05	 TE Connectivity Ltd.	
DIMENSIONS: INCHES		CHK	-		
		TOLERANCES UNLESS OTHERWISE SPECIFIED:		NAME	
		0 PLC ± -		SWITCH ASSY, DIP, TYPE C,	
		1 PLC ± -		7100 SERIES, SPST, LOW PROFILE	
		2 PLC ± -		APVD	
3 PLC ± .005		PRODUCT SPEC		SIZE	
4 PLC ± -		APPLICATION SPEC		CAGE CODE	
ANGLES ± -		WEIGHT		DRAWING NO	
MATERIAL		FINISH		RESTRICTED TO	
-		-		A2 00779 C=5435668	
CUSTOMER DRAWING				SCALE	4:1
				SHEET	2 of 2
				REV	B