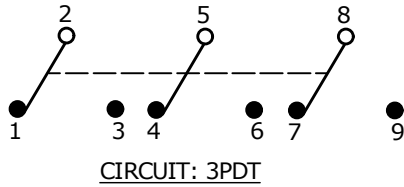
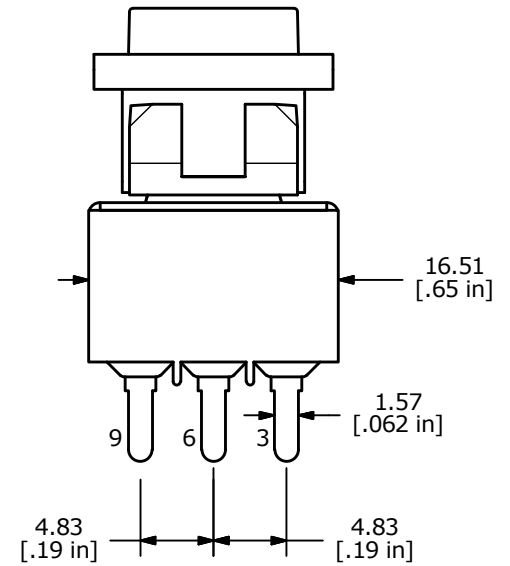
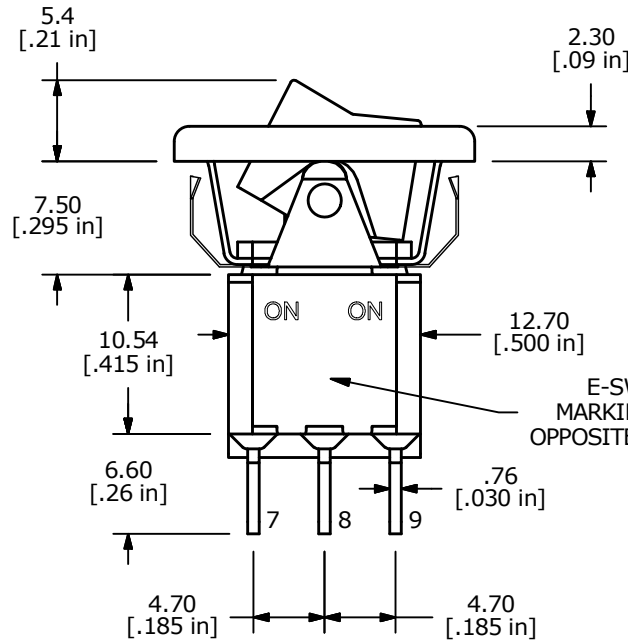


▲ SWITCH FUNCTION		
POS. 1	POS. 2	POS. 3
ON	NONE	ON
2-3, 5-6, 8-9	OPEN	2-1, 5-4, 8-7



- NOTE:
1. ALL DIMENSIONS IN MM [INCH]
  2. GENERAL TOLERANCE: X.X = ±0.4  
X.XX = ±0.25
  3. TERMINAL NUMBERS FOR REF ONLY
  - ▲ 4. PLATING MATERIAL: SILVER
  5. RATING: 0.4 VOLT-AMPS MAX. @20V MAX. AC OR DC
  6. ELECTRIC LIFE: 50,000 MAKE-AND-BREAK CYCLES AT FULL LOAD.
  7. INSULATION RESISTANCE: 1,000 MEGA-OHM MIN.
  8. DIELECTRIC STRENGTH: 1,000 V RMS @SEA LEVEL.
  9. OPERATING TEMP.: -30°C to 85°C
  10. ▲ DENOTES CRITICAL PARAMETER.
  11. 2011/65/EU (ROHS) COMPLIANT.

C	22926	DIM CORRECTIONS TO MATCH PARTS	7/10/17	MW
B	14992	CHANGED DISCRIPTION	6/13/05	JB
A	14877	RELEASED FOR PRODUCTION	5/6/05	JB
REV	PCR NO	DESCRIPTION	DATE	BY



TITLE 3003P1R6WHTM3QEWH

SCALE	DATE	DR	DWG	REV
2:1	1/31/2008	BLR	T311088	C

THE INFORMATION CONTAINED IN THIS DOCUMENT IS PROPRIETARY TO E-SWITCH AND IS NOT TO BE COPIED OR TRANSFERRED