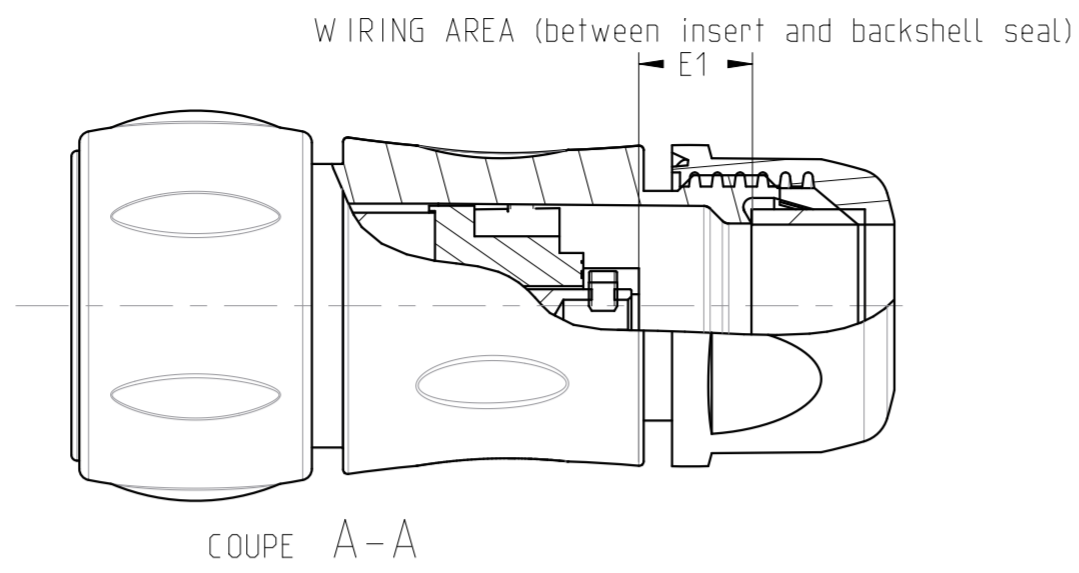


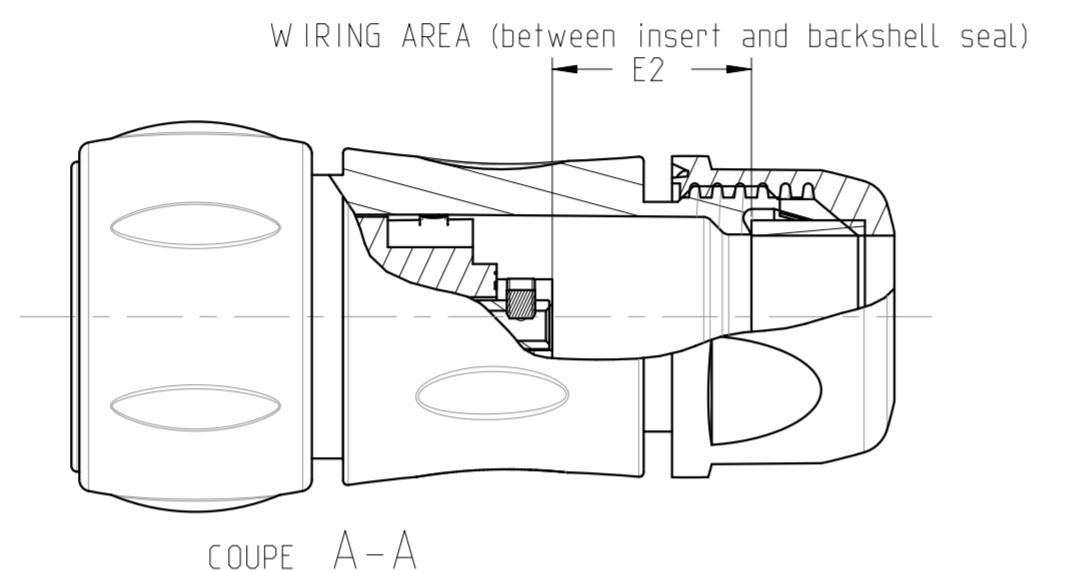
A.3: Validé

SIDE VIEW FOR EACH VERSION

UTGX6JC-----PSCR



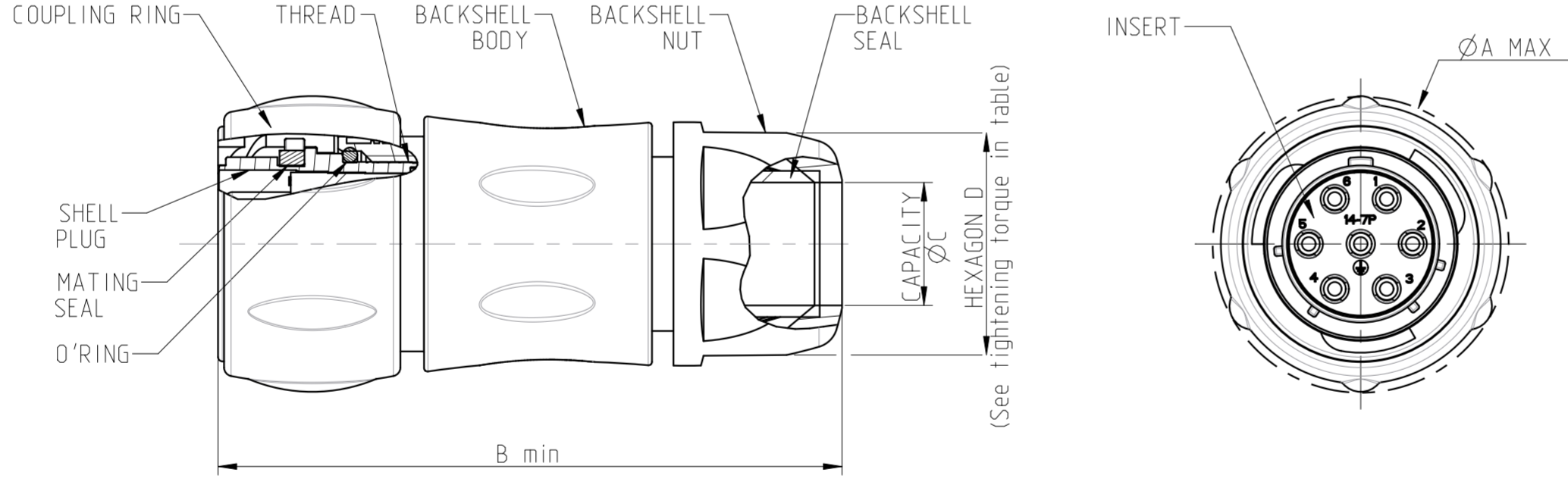
UTGX6JC-----SSCR



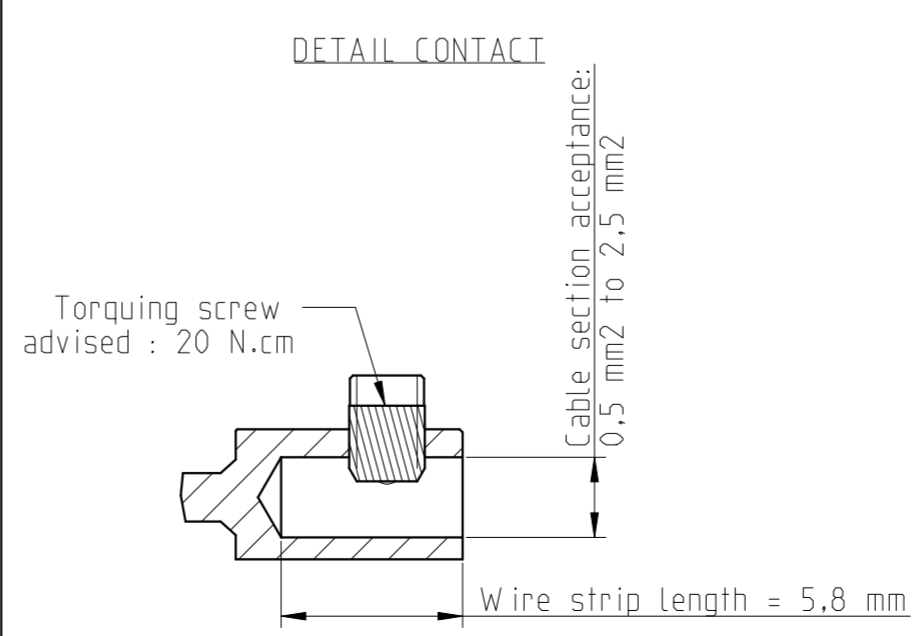
SEALING CONDITIONS

Sealing in MATED conditions with COUNTERPART:
 -IP68 1 bar during 1 week: immersion under 10 m of water. (IEC 60529)
 -IP69K : exposure to high pressure water of cleaning equipment (DIN 40050)

COMMON QUOTES FOR ALL VERSION



| SHELL SIZE | MAX | min | STANDARD | REDUCING SEAL (NOTA.3) | HEXAGON backshell nut | | MAX | | ±10% (g.) |
|------------|------|------|----------|------------------------|-----------------------|-------------------------|-------|------|-----------|
| | ØA | B | ØC | | D | Tightening torque (N.m) | E1 | E2 | MASS |
| 12 | 29.7 | 66.7 | 5 / 12 | 3 / 9 | 24 | 2 | 15.1 | 22.8 | 40 |
| 14 | 34.6 | 71.5 | 7 / 14 | 5 / 12 | 26 | 2.5 | 18.95 | 26.7 | 55 |



- MATERIAL :
- SHELL : PA UL94 V0, UL746C F1 Black color
 - COUPLING RING: PA + Nickel plated brass
 - BACKSHELLS : PA UL94 V0 F1 Black color
 - BACKSHELL Seal : CR
 - INSERT : PA UL94 V0, UL746C F1
 - O'RING : NITRIL
 - MATING SEAL : SILICON
 - CONTACT SPRING: copper alloy
 - CONTACT BODY : brass, gold and nickel plated
 - SCREW : stainless steel

PERFORMANCE CHARACTERISTICS :

Operating temperature: -40°C up to 105°C
 Insulation resistance: 5000 MΩmin
 Corrosion salt spray: 500 hours
 Durability: 500 matings and unmatings

Sealing conditions: SEE TABLE

NOTA:

- Contact to be ordered separately for version UTGX0----- : refer to corresponding catalogue.
- Insert arrangement refer to:
 C008-UTS1-A(female insulator)
 C007-UTS1-A (male insulator)
- This part shall be used at the place of the standard seal to accomodate with different cable Ø
- Plug, backshell and the reducing seal are delivered as a kit. The backshell already includes the standard seal.

| Country | Jurisdiction & Control List |
|---------|-----------------------------|
| FR | NOT LISTED |

SOURIAU shall not be liable for any non-conformity or damage due to a use of the Products which does not comply with the Specifications issued by either of the Parties or by a third party (professional recommendation, technical notice.)

| P/N : CROSS REF TABLE | |
|-----------------------|---------------------------------------|
| BASIC SERIES | UTGX 6 JC 14 7 P SCR *P/N for example |
| SHELL TYPE | 6 Plug |
| RACCORD | JC |
| SHELL SIZE | 12 / 14 |
| INSERT ARRANGEMENT | See NOTA 2 |
| TYPE OF CONTACTS | P: MALE S: FEMALE |

| | | | |
|--------------|--|--|------------------------|
| A | 10/05/19 | New drawing | 25253D |
| ISS | DATE | Latest modification - by: | MOD N° |
| Designed by: | LANDAIS.PE | Date: 10/05/19 | CUSTOMER DRAWING |
| TITLE | PLUG T6 WITH BACKSHELL JC AND SCREW CONTACT - SIZE 12 & 14 UTGX CONNECTOR | | |
| Scale | 3/2 | Dimensions in mm General Linear Tolerances: ± 0.2 | NPRDS / PROJECT GBB |
| FORMAT | A2 | SOURIAU DRG N° UTGX-0006A-C | SHEET 1 / 2 |



www.esterline-connection-technologies.com
 This document is the property of SOURIAU. It must not be reproduced or communicated without permission.

A.3: Validé

MASS ± 5% -- g

8

7

6

5

4

3

2

1

8

7

6

5

4

3

2

1

H

G

F

E

D

C

B

A

H

G

F

E



D

C

B

A

P/N :

| | | | |
|---|---|--|--|
| A | | | |
| ISS | DATE | Latest modification - by: | MOD N° |
| Designed by: | | Date: 1 | CUSTOMER DRAWING |
| TITLE | | PLUG T6 WITH BACKSHELL JC AND SCREW CONTACT - SIZE 12 & 14 | |
| Scale |  | Dimensions in mm General Linear Tolerances: ± -- | NPRDS / PROJECT GBB |
|  | | www.souriau.com | This document is the property of SOURIAU It must not be reproduced or communicated without permission |
| FORMAT | SOURIAU DRG N° UTGX-0006A-C | | SHEET 2 / 2 |

| | |
|---------|-----------------------------|
| Country | Jurisdiction & Control List |
| FR | NOT LISTED |

SOURIAU shall not be liable for any non-conformity or damage due to a use of the Products which does not comply with the Specifications issued by either of the Parties or by a third party (professional recommendation, technical notice.)