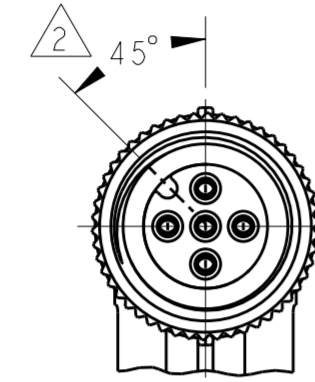
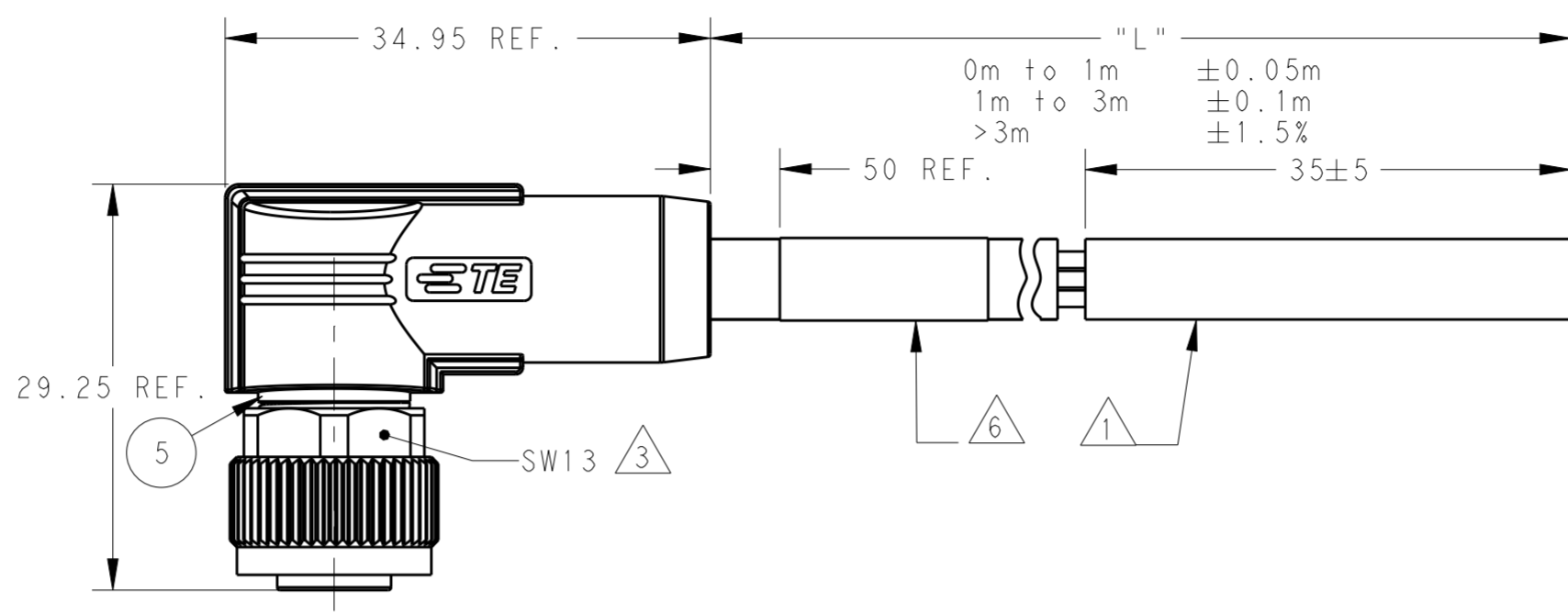


THIS DRAWING IS UNPUBLISHED. RELEASED FOR PUBLICATION 20  
 © COPYRIGHT 20 BY - ALL RIGHTS RESERVED.

| ITEM | DESCRIPTION    | MATERIAL       | OTHERS        |
|------|----------------|----------------|---------------|
| 1    | FEMALE CONTACT | COPPER ALLOY   | GOLD PLATED   |
| 2    | HOUSING        | NYLON          | BLACK         |
| 3    | COUPLING NUT   | COPPER ALLOY   | NICKEL PLATED |
| 4    | OVER-MOLDING   | PVC/TPU        | BLACK         |
| 5    | SHIELDED SHELL | COPPER ALLOY   | NICKEL PLATED |
| 6    | O-RING         | SILICONE       | GRAY          |
| 7    | CABLE          | PVC/PUR JACKET | GRAY/VIOLET   |
| 8    | LABEL          | -              | -             |

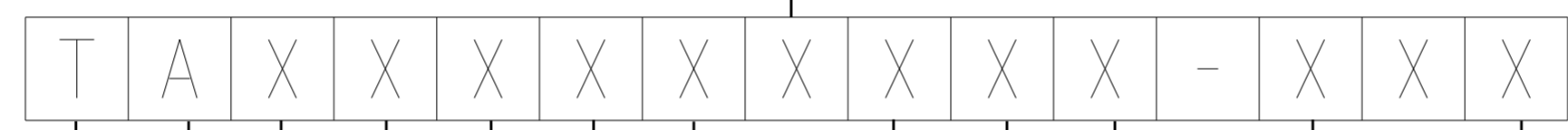
| REVISIONS |     |                     |           |         |
|-----------|-----|---------------------|-----------|---------|
| P         | LTR | DESCRIPTION         | DATE      | APVD    |
| A         |     | INITIAL RELEASE     | 29JUL2019 | A.Z C.W |
| A1        |     | CLARIFY TYPICAL PNS | 22JUN2020 | A.Z C.W |



NOTE:  
 1. STRIP AND RETAIN THE INSULATION  
 2. CODE POSITION INDICATOR  
 3. RECOMMENDED TORQUE 0.6 Nm  
 4. -\*\* : CABLE LENGTH, FOR EXAMPLE: -0.5M  
 5. CABLE ASSEMBLY TO BE PACKAGED IN POLYBAGS  
 6. LABEL CONTAINS: PN, DATE CODE...

注释:  
 1. 剥线并保留护套绝缘层  
 2. CODE位置指示  
 3. 推荐扭矩0.6 Nm  
 4. -\*\* : 线缆长度, 例如: -0.5M  
 5. 线缆组件塑料袋包装  
 6. 标签包含: 产品编号, 日期代码...

TE PN CODING:



TE M12 SERIES

CODE TYPE  
A=A CODE

POLES NO.  
5-5 POS

OVERMOLDING  
0=BLACK TPU  
1=BLACK PVC

APPLICATION TYPE  
7=DEVICENET/CANOPEN SHIELDED

WIRE GAUGE  
B=20AWG+  
22AWG DRAIN WIRE

CABLE JACKET COLOR  
5=VIOLET  
SIMILAR TO RAL4001  
6=GRAY  
SIMILAR TO RAL7037

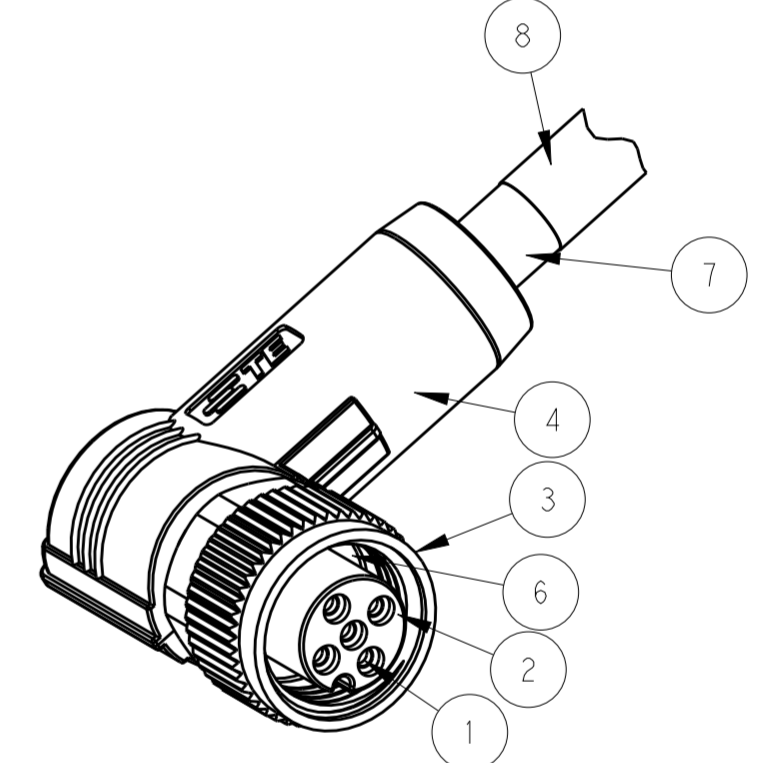
INTERFACE TYPE  
1=MALE STRAIGHT  
2=MALE ANGLED  
3=FEMALE STRAIGHT  
4=FEMALE ANGLED  
5=MALE STRAIGHT TO FEMALE STRAIGHT  
6=MALE STRAIGHT TO FEMALE ANGLED  
A=MALE ANGLED TO FEMALE STRAIGHT

OTHER ATTRIBUTES  
1=STANDARD SCREW NUT WITH NICKEL PLATED/  
STAMPED TERMINAL 30U"AU PLATING

TYPICAL LENGTH:  
 -001:0.5M  
 -002:1.0M  
 -020:2.0M  
 -040:4.0M  
 -060:6.0M  
 -080:8.0M  
 -007:10.0M  
 -150:15.0M  
 CUSTOMIZATION RULES:  
 -003:1.5M  
 -004:3.0M  
 -005:5.0M  
 -006:7.0M  
 -99X:0.XM(<1.0M)  
 (-993:0.3M)  
 -XXX:XX.XM(>1.0M)  
 (-155:15.5M)

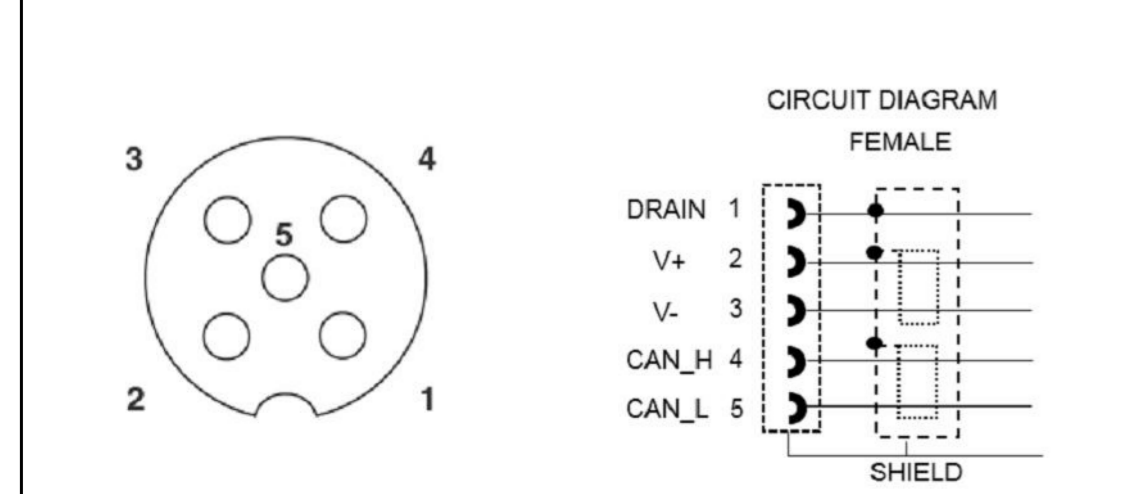
TABLE 1  
TECHNICAL DATA

|                       | TAA754A1611-XXX | TAA754A5501-XXX |
|-----------------------|-----------------|-----------------|
| RATED VOLTAGE         | 60V             |                 |
| RATED IMPULSE VOLTAGE | 1500V           |                 |
| RATED CURRENT         | 4A              |                 |
| POLLUTION DEGREE      | 3               |                 |
| OVERVOLTAGE CATEGORY  | II              |                 |
| MATERIAL GROUP        | II              |                 |
| DEGREE OF PROTECTION  | IP67            |                 |



PIN ARRANGEMENT  
A-CODE

|       |       |       |
|-------|-------|-------|
| PIN 4 | CAN_H | WHITE |
| PIN 5 | CAN_L | BLUE  |
| PIN 1 | DRAIN | BARE  |
| PIN 3 | V-    | BLACK |
| PIN 2 | V+    | RED   |



| WIRES  | TYPICAL LENGTH:  |                        |                  |
|--|--|------------------------|------------------|
| WIRES: 2X22AWG+2X24AWG<br>+1X22 AWG DRAIN WIRE<br>WIRE COLOR: WHITE/BLUE/RED/BLACK<br>OD: APPROX: 6.9MM<br>PUR. JACKET: VIOLET<br>OPERATION TEMPERATURE RATING: 80°C UL<br>OPERATION TEMP RATING:<br>-40°C To +80°C<br>DRAG CHAIN TEST:<br>MIN: 0.5 MILLION CYCLES, DIAMETER 75MM,<br>SPEED 2m/s, ACCELERATION 2m/s <sup>2</sup> | -001:0.5M<br>-002:1.0M<br>-020:2.0M<br>-040:4.0M<br>-060:6.0M<br>-080:8.0M<br>-007:10.0M<br>-150:15.0M<br>CUSTOMIZATION RULES:<br>-003:1.5M<br>-004:3.0M<br>-005:5.0M<br>-006:7.0M<br>-99X:0.XM(<1.0M)<br>(-993:0.3M)<br>-XXX:XX.XM(>1.0M)<br>(-155:15.5M) | M12A5-FR-PUR-***<br>A1 | TAA754A5501-XXX  |
| WIRES: 2X22AWG+2X24AWG<br>+1X22 AWG DRAIN WIRE<br>WIRE COLOR: WHITE/BLUE/RED/BLACK<br>OD: APPROX: 7.1MM<br>TEMPERATURE RATING: 75°C UL<br>OPERATION TEMP RATING:<br>-10°C To +80°C   | -001:0.5M<br>-002:1.0M<br>-020:2.0M<br>-040:4.0M<br>-060:6.0M<br>-080:8.0M<br>-007:10.0M<br>-150:15.0M<br>CUSTOMIZATION RULES:<br>-003:1.5M<br>-004:3.0M<br>-005:5.0M<br>-006:7.0M<br>-99X:0.XM(<1.0M)<br>(-993:0.3M)<br>-XXX:XX.XM(>1.0M)<br>(-155:15.5M) | M12A5-FR-PVC-***<br>A1 | TAA754A1611-XXX  |
| CABLE CHARACTERISTIC   | LENGTH "L"   | TYPE                   | TABLE 2<br>TE PN |

THIS DRAWING IS A CONTROLLED DOCUMENT.

DWN: ALEX ZHANG 11APR2019  
 CHK: HART HE 11APR2019  
 APVD: CHRIS WANG 11APR2019

PRODUCT SPEC: 108-106140  
 APPLICATION SPEC: 114-137144

NAME: M12 A CODE CABLE ASSY, SHIELDED 5P, FR FREE END

SIZE: A2 CAGE CODE: - DRAWING NO: C-TAA754AXXXXXXX RESTRICTED TO: -

RESTRICTED CUSTOMER SCALE: 2:1 SHEET 1 OF 1 REV: A1