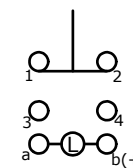
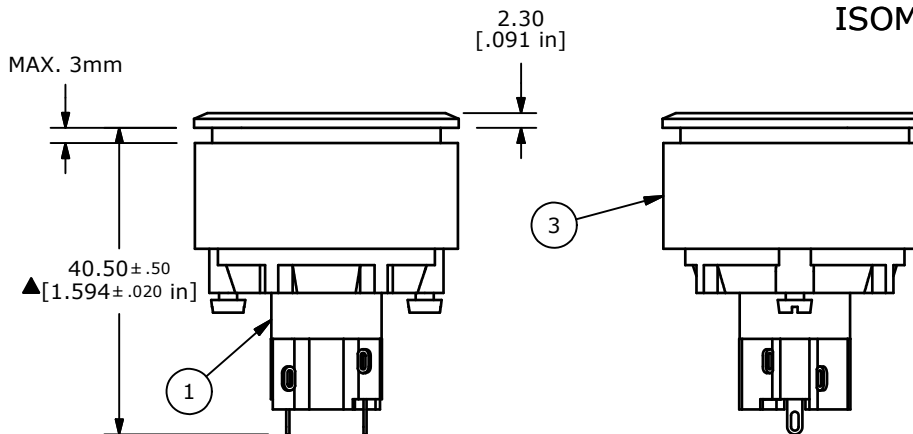


ISOMETRIC



▲ SPDT CONTACT CONFIGURATION

▲ Parts List				
ITEM	QTY	PART NUMBER	DESCRIPTION	
1	1	F060610	LASOAU11 BODY	
2	1	F051706	35MM FLUSH MOUNT BEZEL	
3	1	F051707	35MM FLUSH MOUNT RETAINER	
4	1	F060216	29MM YELLOW LENS	
5	1	F050424	LED, 24 VDC YELLOW	

NOTES:

1. ALL DIMENSIONS IN MM [INCH].
2. GENERAL TOLERANCE: 0.0=± 0.4
0.00=± 0.25
3. TERM. NOS. FOR REF. ONLY.
- ▲ 4. RATING: 5A @250VAC
8A @125VAC
.2A @250VDC
6A @24VDC
5. INSULATION: 1,000 MΩ MIN.
6. DIELECTRIC STRENGTH: 2000V FOR 1 MIN.
7. SEALED TO IP65.
- ▲ 8. TRAVEL: 3.0MM
9. ELECTRICAL LIFE: >50,000 CYCLES
10. OPERATING TEMP: -25°C TO +55°C
11. PANEL THICKNESS: 0.5MM TO 3.0MM
- ▲ 12. LAMP VOLTAGE: LED, 24VDC YELLOW
13. ▲ DENOTES CRITICAL PARAMETER.
14. 2002/95/EC (ROHS) COMPLIANT



TITLE LASOAU31KYELYEL				
SCALE 1:1	DATE 3/23/2011	DR BGL	DWG XF0840P	REV A

A	19780	RELEASED FOR PRODUCTION	3/23/11	BGL
REV	PCR NO	DESCRIPTION	DATE	BY

THE INFORMATION CONTAINED IN THIS DOCUMENT IS PROPRIETARY TO E-SWITCH AND IS NOT TO BE COPIED OR TRANSFERRED