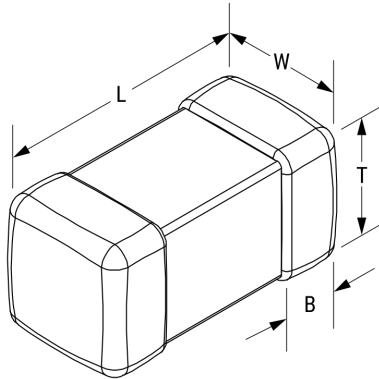


L0603C27NJRMST

Aliases (L0603C27NJRMST)

Obsolete

KEMET, L-RMS, RF, 0.027 uH, 5%



Click [here](#) for the 3D model.

Dimensions

Chip Size	0603
L	1.6mm +/-0.15mm
W	0.8mm +/-0.15mm
T	0.8mm +/-0.15mm
LL	0.3mm +/-0.2mm
B	0.3mm +/-0.2mm

Packaging Specifications

Packaging	T&R
Packaging Quantity	4000

General Information

Series	L-RMS
Style	SMD Chip
Description	Surface Mount Inductor
RoHS	Yes
Core	Ceramic
Winding Type	Multilayer
Notes	Suggested Replacement - https://www.chilisin.com/en-global/Inductor/Product/BSCH_160808/BSCH0016080827NJ00 .

Specifications

Inductance	0.027 uH
Inductance Tolerance	5%
Temperature Range	-40/+85°C
Current	300 mAmps (MAX)
DC Resistance	0.45 Ohms
Quality Factor	16 at 100 MHz, 37 at 500 MHz, 45 at 800 MHz, 46 at 1000 MHz
Self-Resonant Frequency	1400 MHz