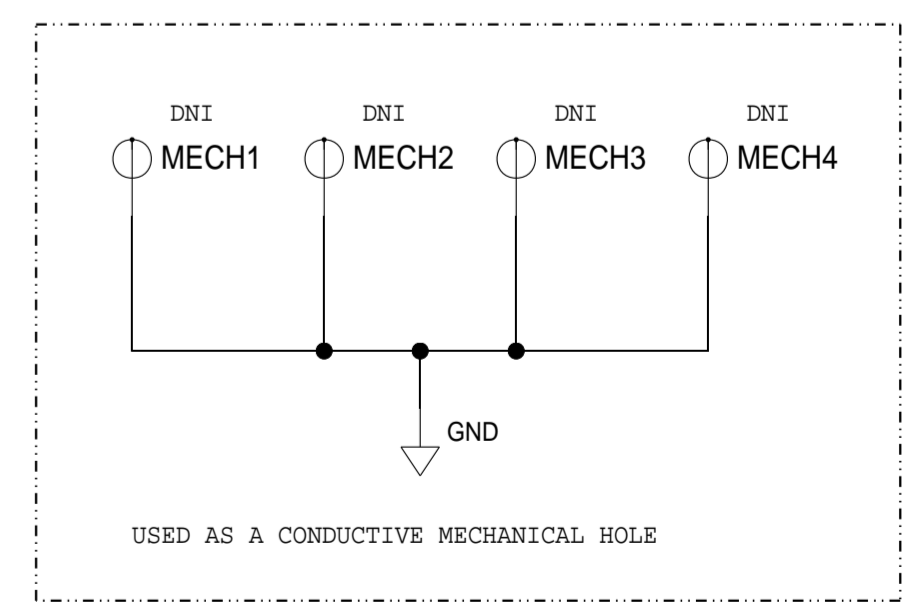
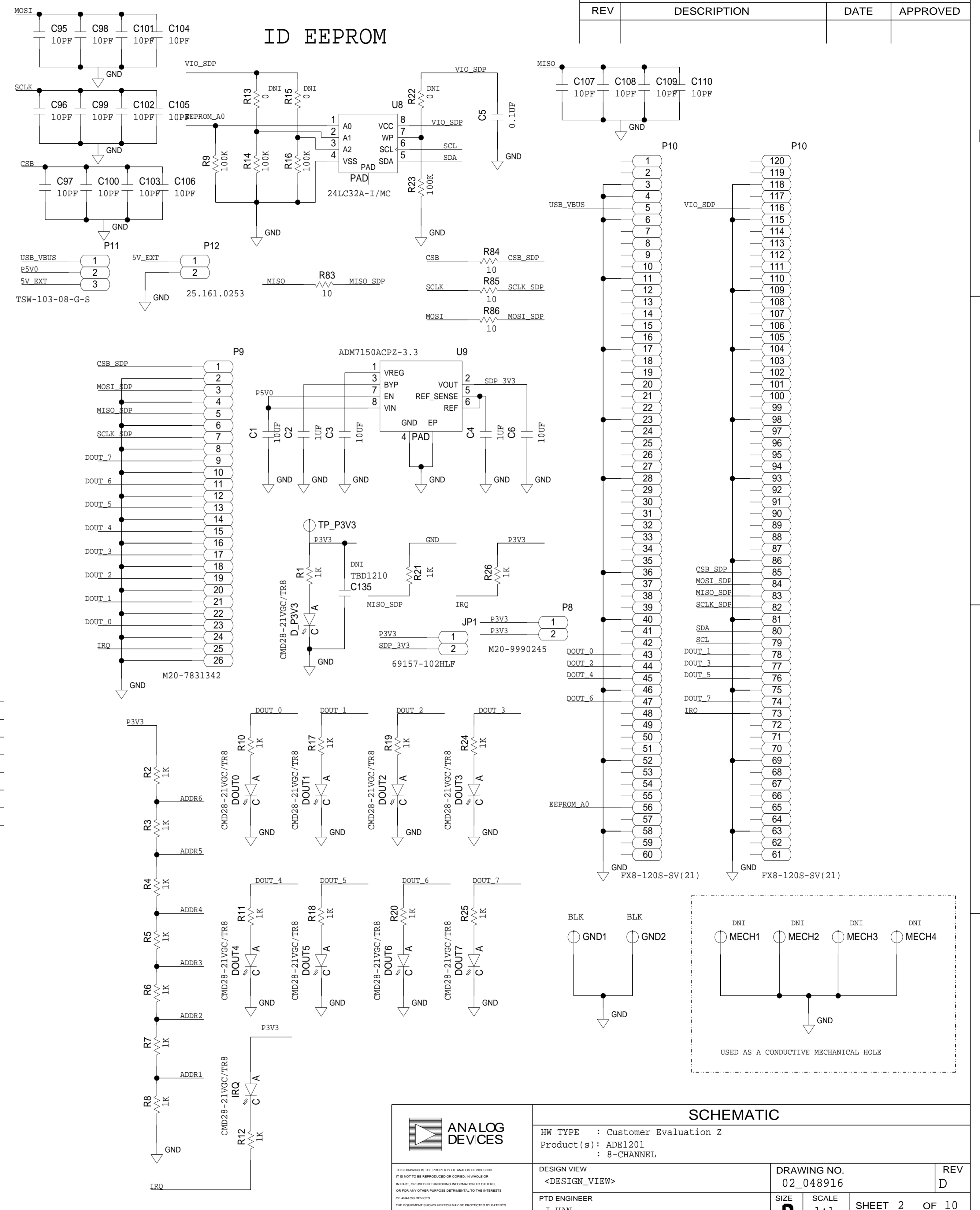
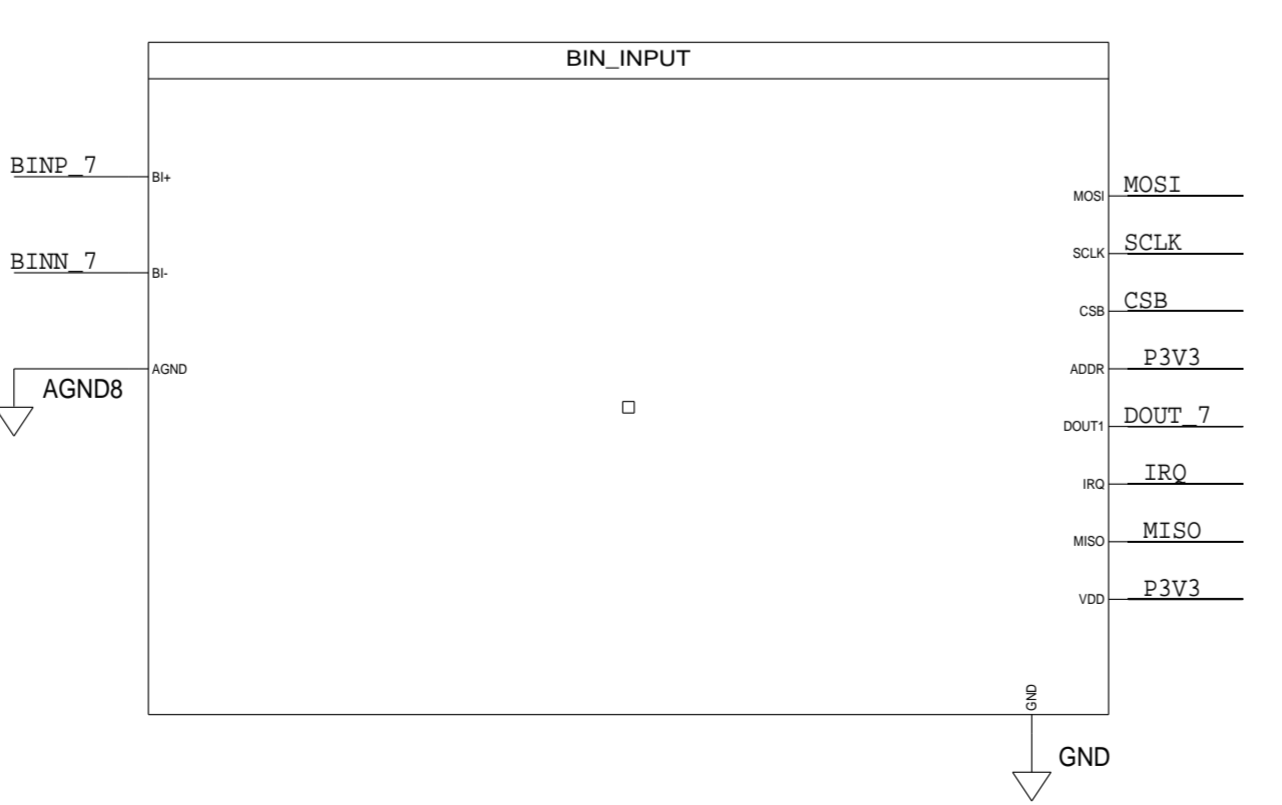
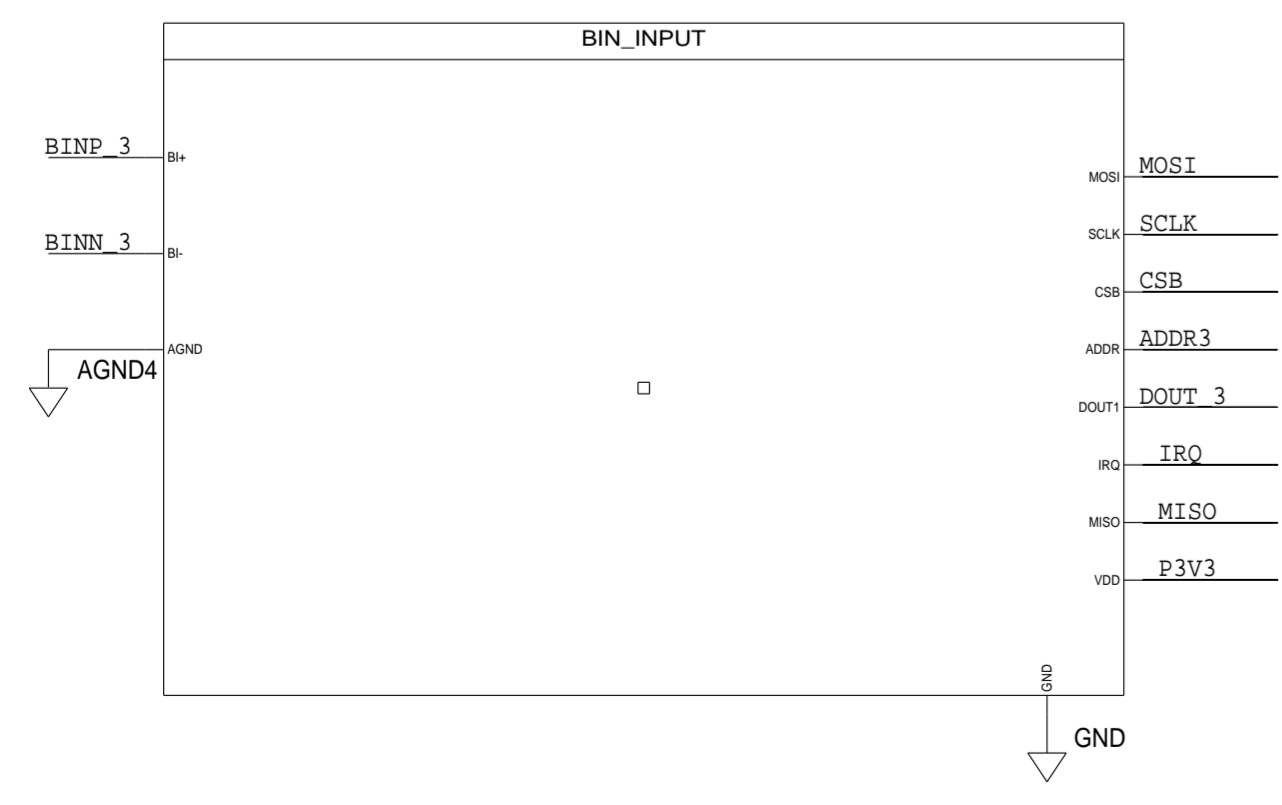
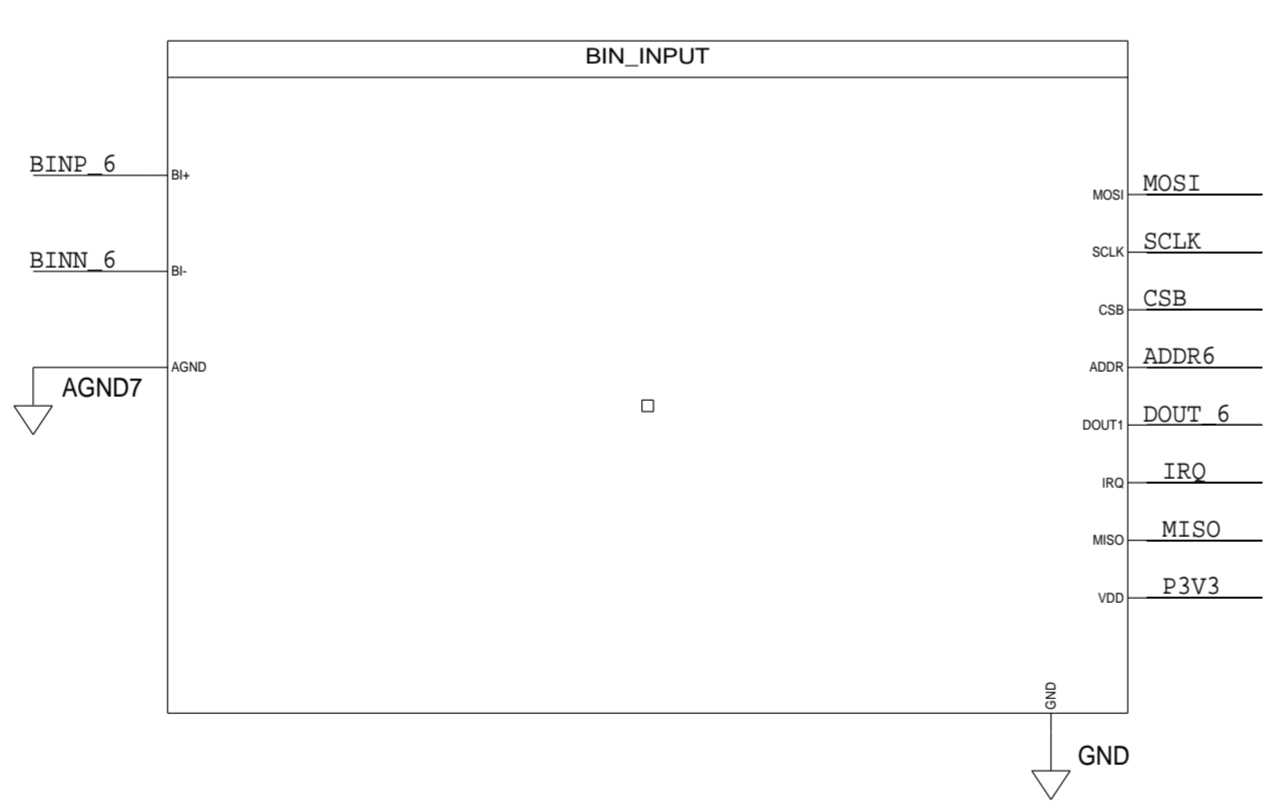
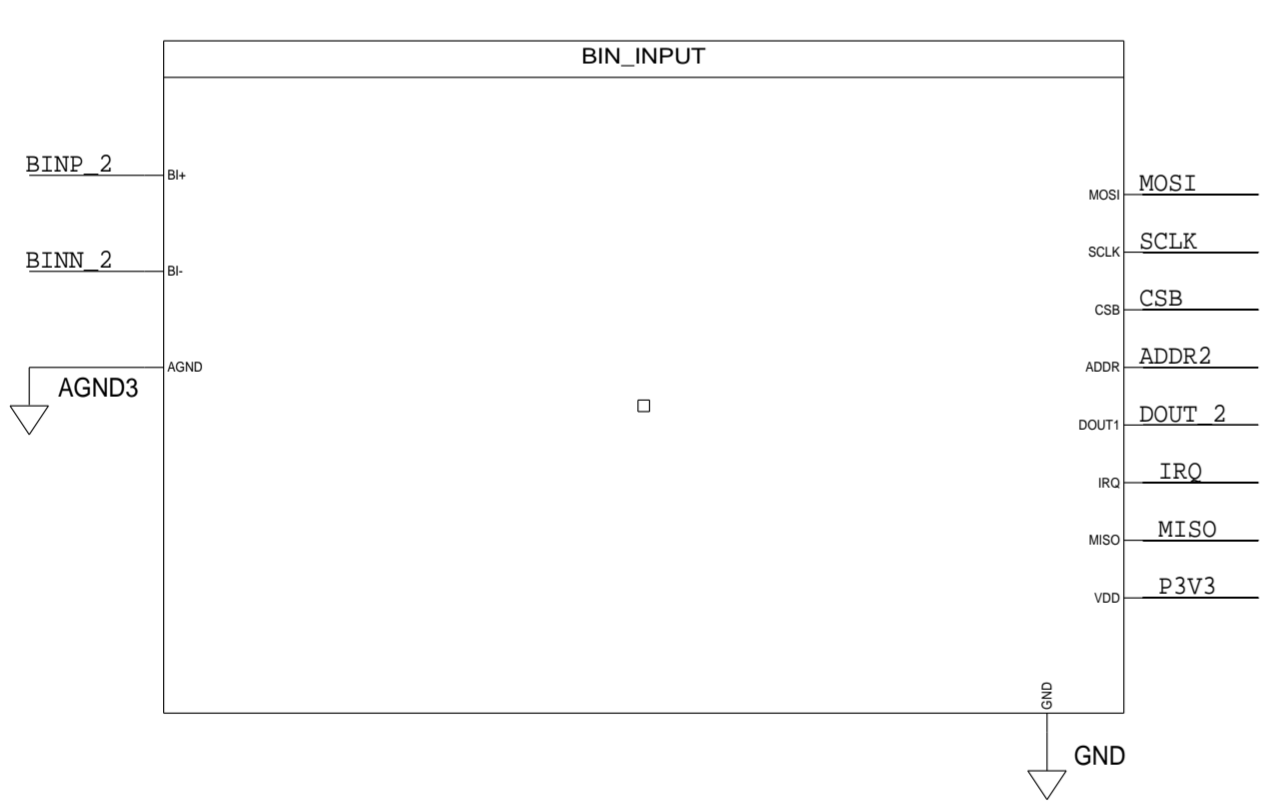
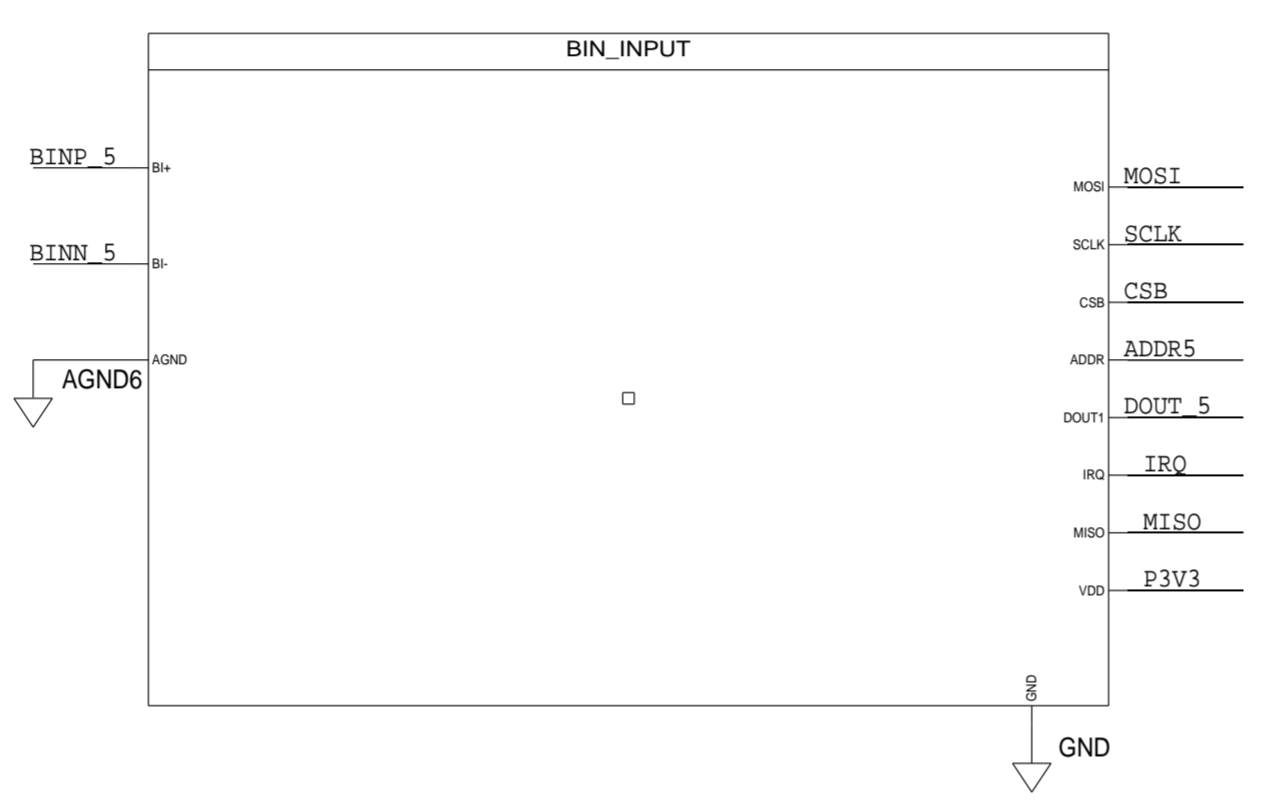
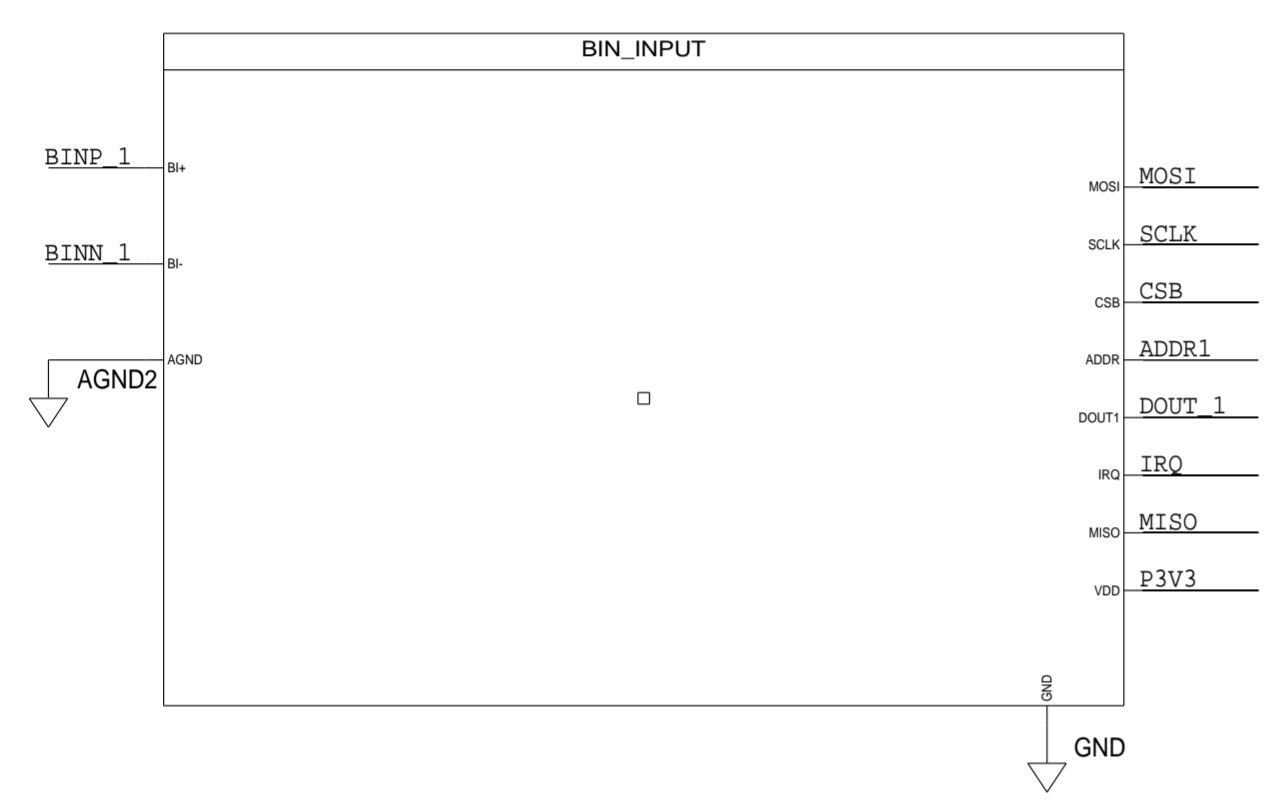
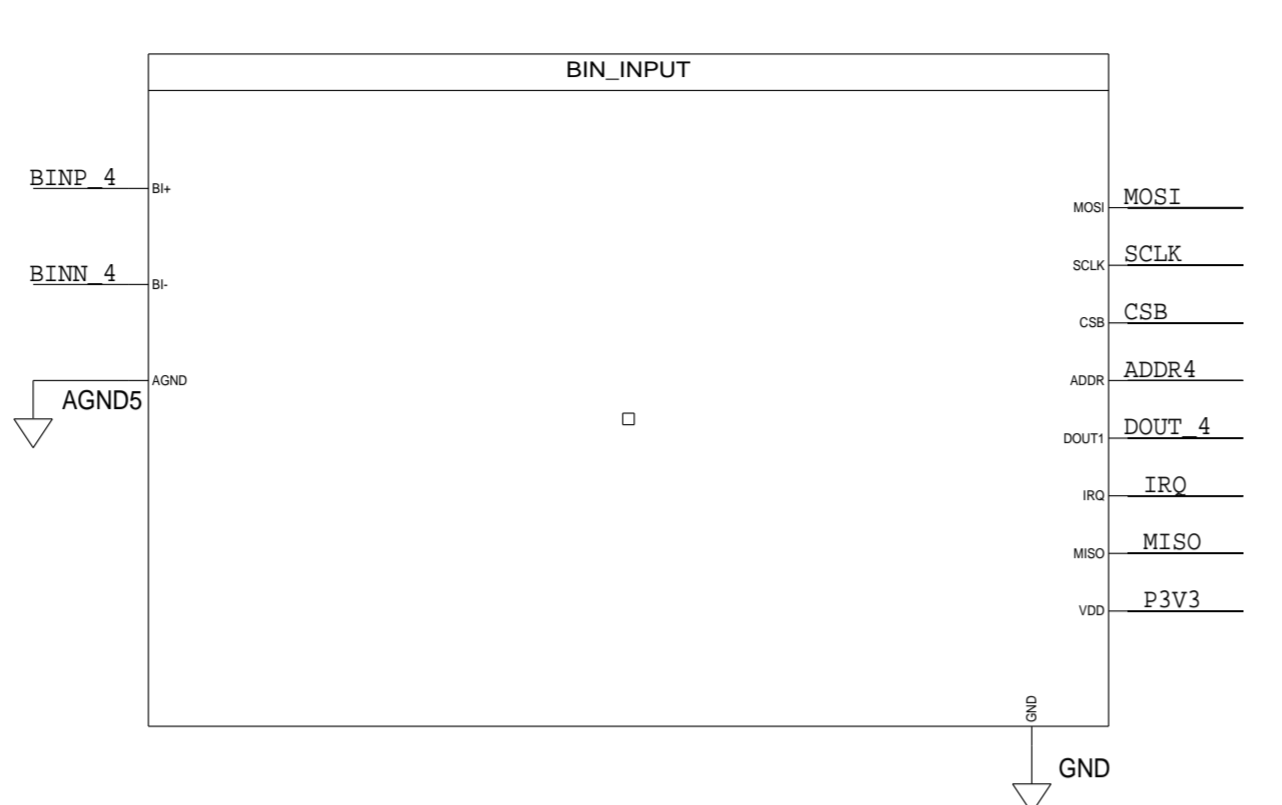
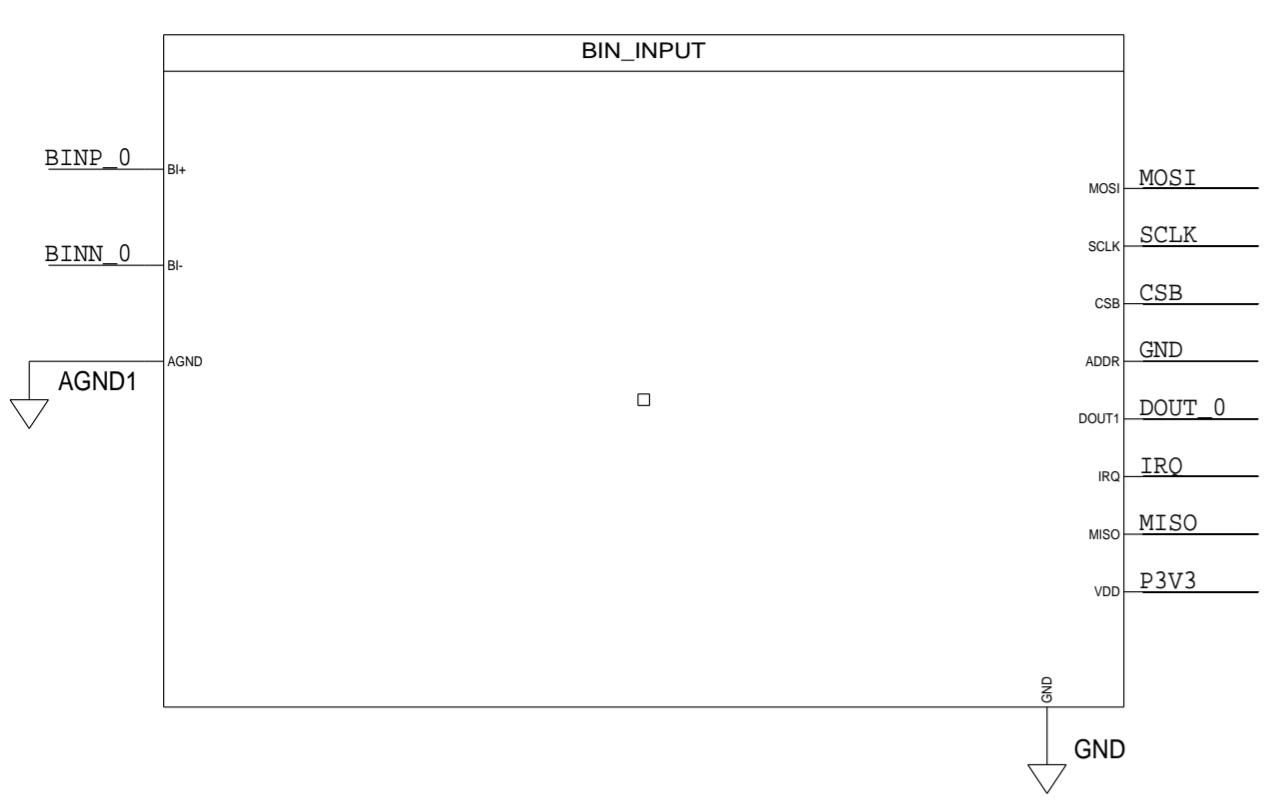


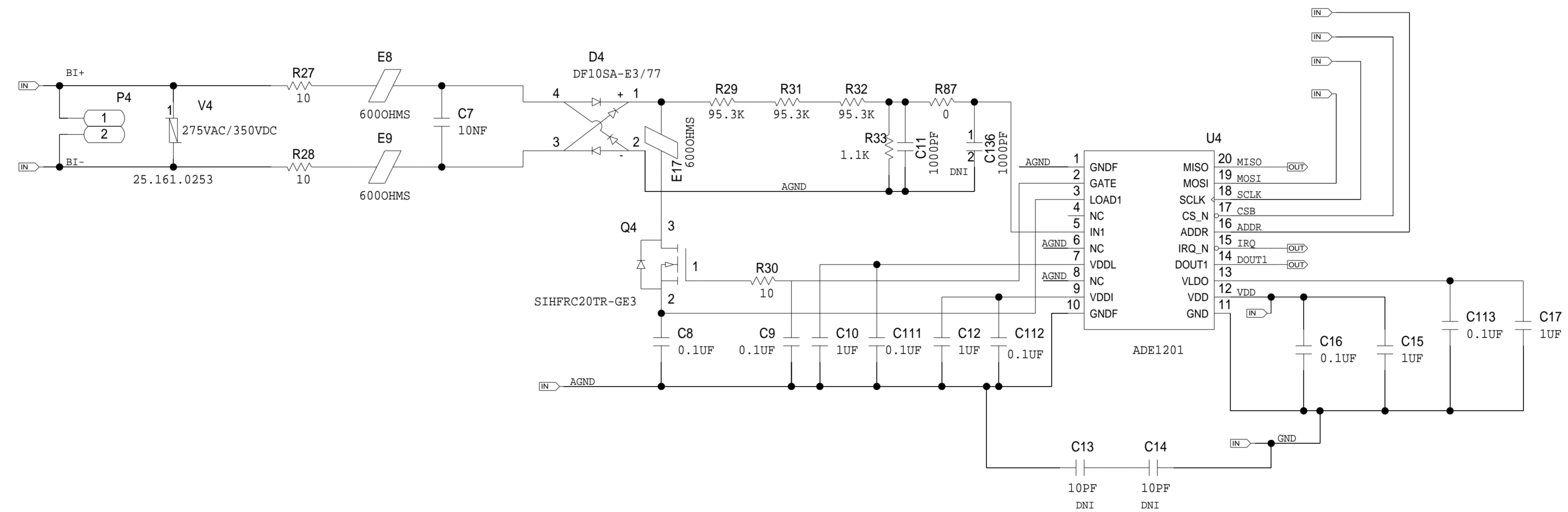


REVISIONS			
REV	DESCRIPTION	DATE	APPROVED



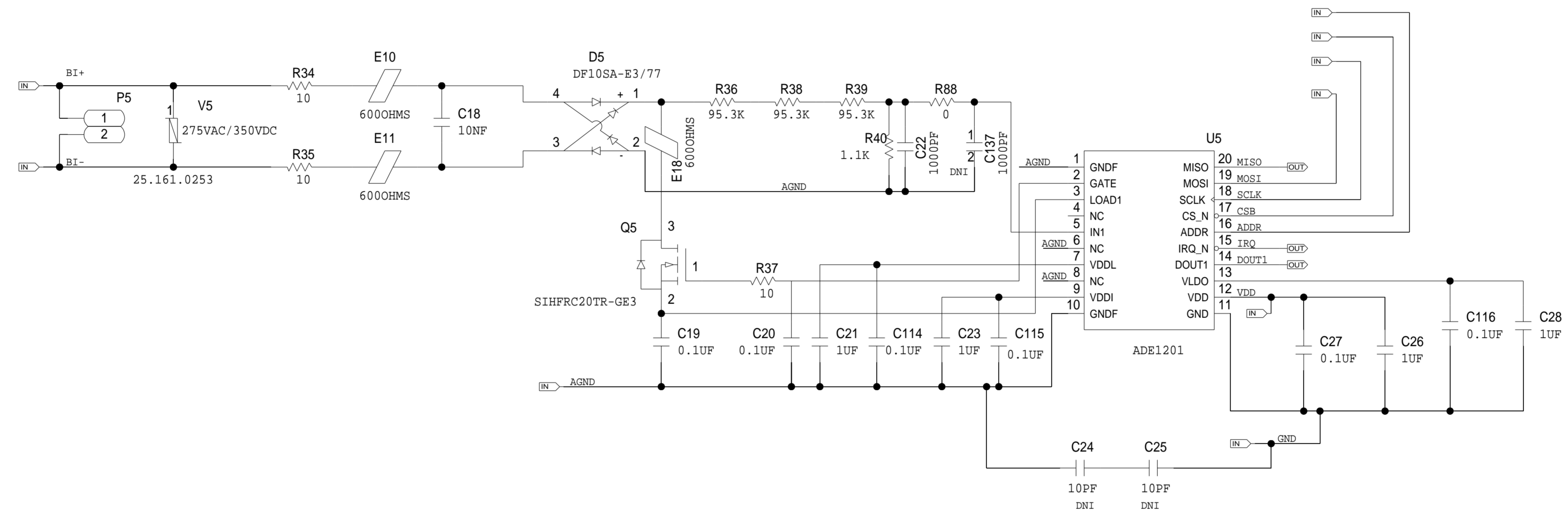
ANALOG DEVICES		SCHEMATIC	
<small>THIS DRAWING IS THE PROPERTY OF ANALOG DEVICES INC. IT IS NOT TO BE REPRODUCED OR COPIED, IN WHOLE OR IN PART, OR USED IN FURNISHING INFORMATION TO OTHERS, OR FOR ANY OTHER PURPOSE DETRIMENTAL TO THE INTERESTS OF ANALOG DEVICES. THE EQUIPMENT SHOWN HEREIN MAY BE PROTECTED BY PATENTS OWNED OR CONTROLLED BY ANALOG DEVICES.</small>		HW TYPE : Customer Evaluation Z Product(s) : ADE1201 : 8-CHANNEL	
DESIGN VIEW <DESIGN_VIEW>	DRAWING NO. 02_048916	REV D	REV D
PTD ENGINEER J. HAN	SIZE D	SCALE 1:1	SHEET 2 OF 10

REVISIONS			
REV	DESCRIPTION	DATE	APPROVED



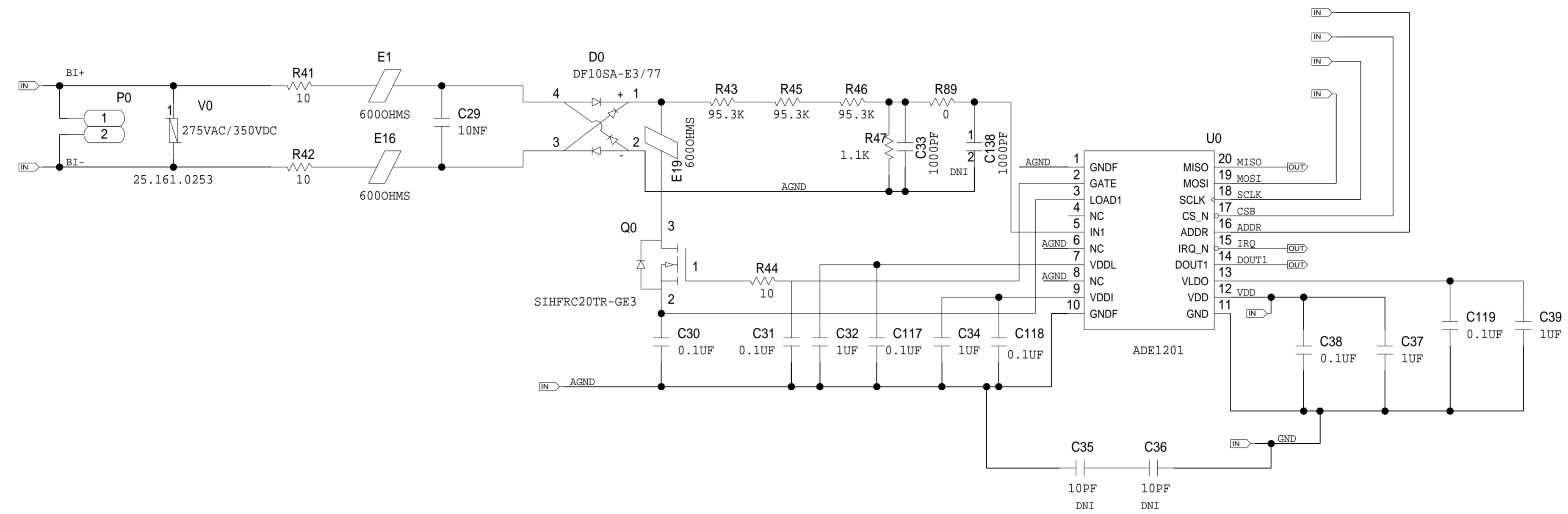
	<b>SCHEMATIC</b>		
	HW TYPE : Customer Evaluation Z Product(s): ADE1201 : 8-CHANNEL		
	DESIGN VIEW <DESIGN_VIEW>	DRAWING NO. 02_048916	REV D
	PTD ENGINEER J. HAN	SIZE D	SCALE 1:1
		SHEET 3 OF 10	

REVISIONS			
REV	DESCRIPTION	DATE	APPROVED



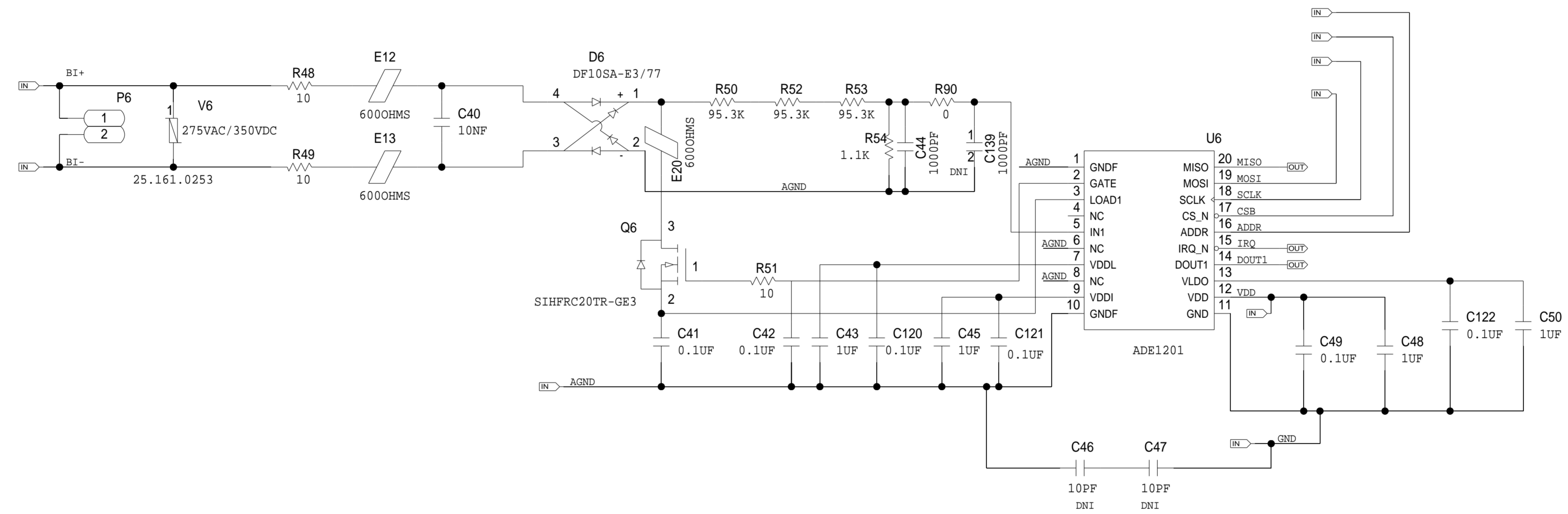
	<b>SCHEMATIC</b>		
	HW TYPE : Customer Evaluation Z Product(s): ADE1201 : 8-CHANNEL		
	DESIGN VIEW <DESIGN_VIEW>	DRAWING NO. 02_048916	REV D
	PTD ENGINEER J. HAN	SIZE <b>D</b>	SCALE 1:1
		SHEET 4 OF 10	

REVISIONS			
REV	DESCRIPTION	DATE	APPROVED



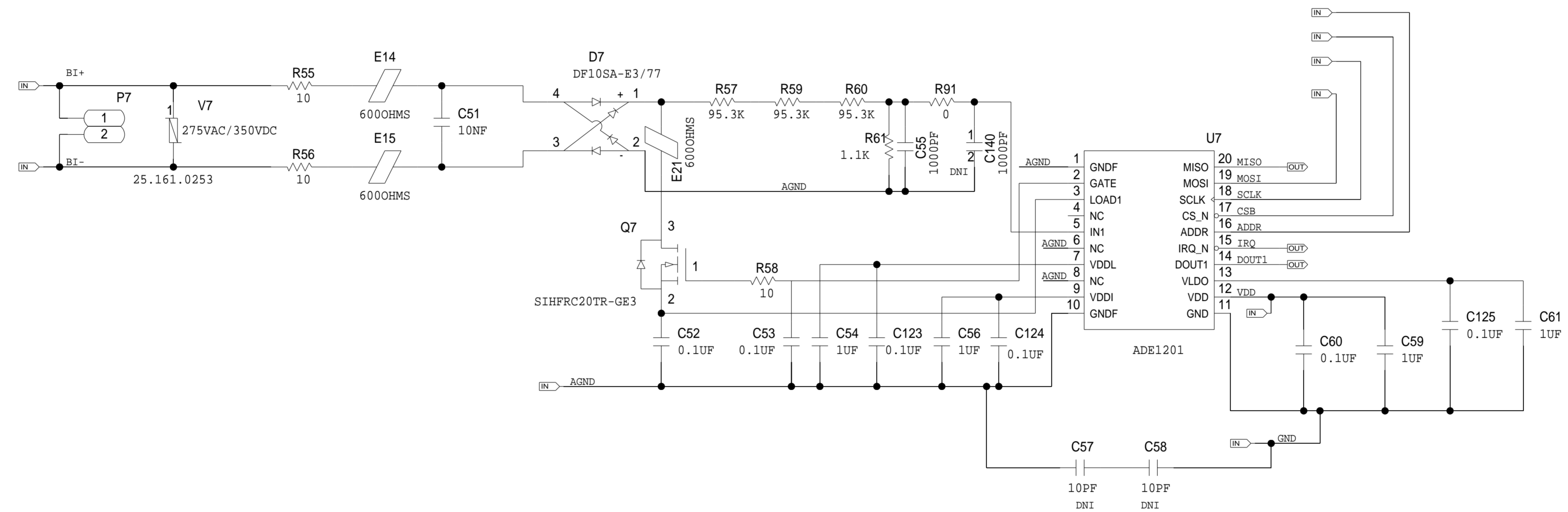
	<b>SCHEMATIC</b>		
	HW TYPE : Customer Evaluation Z Product(s): ADE1201 : 8-CHANNEL		
	DESIGN VIEW <DESIGN_VIEW>	DRAWING NO. 02_048916	REV D
	PTD ENGINEER J. HAN	SIZE <b>D</b>	SCALE 1:1
		SHEET 5 OF 10	

REVISIONS			
REV	DESCRIPTION	DATE	APPROVED



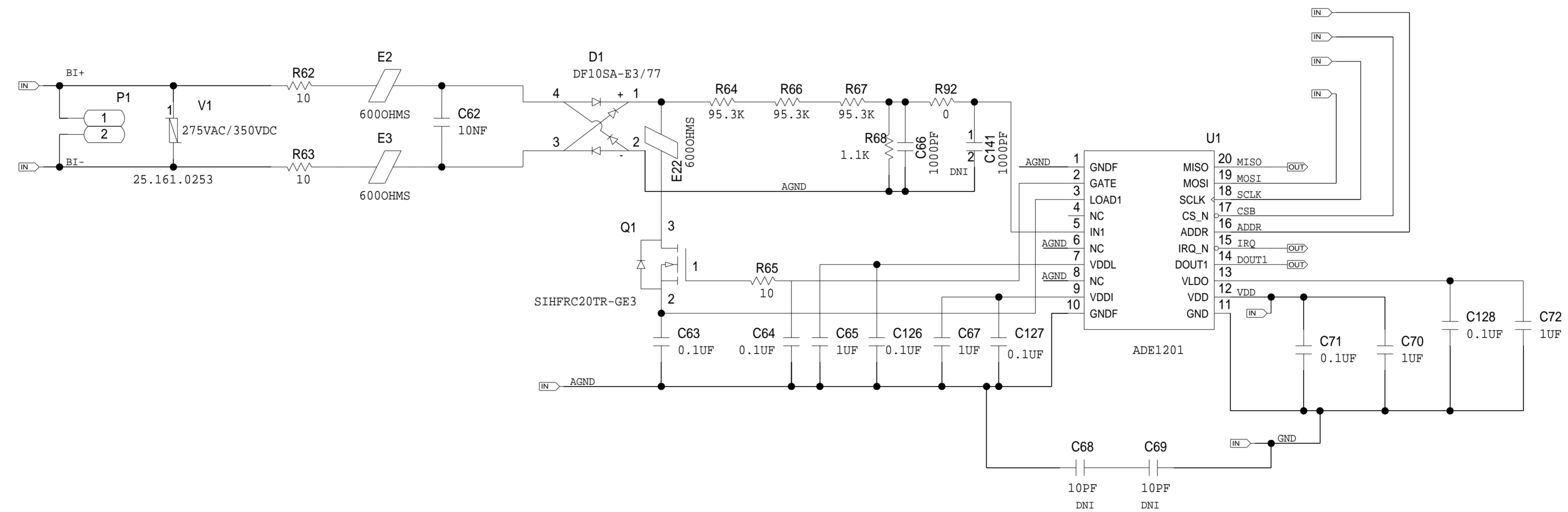
	<b>SCHEMATIC</b>		
	HW TYPE : Customer Evaluation Z Product(s): ADE1201 : 8-CHANNEL		
	DESIGN VIEW <DESIGN_VIEW>	DRAWING NO. 02_048916	REV D
	PTD ENGINEER J. HAN	SIZE <b>D</b>	SCALE 1:1
SHEET 6 OF 10			

REVISIONS			
REV	DESCRIPTION	DATE	APPROVED

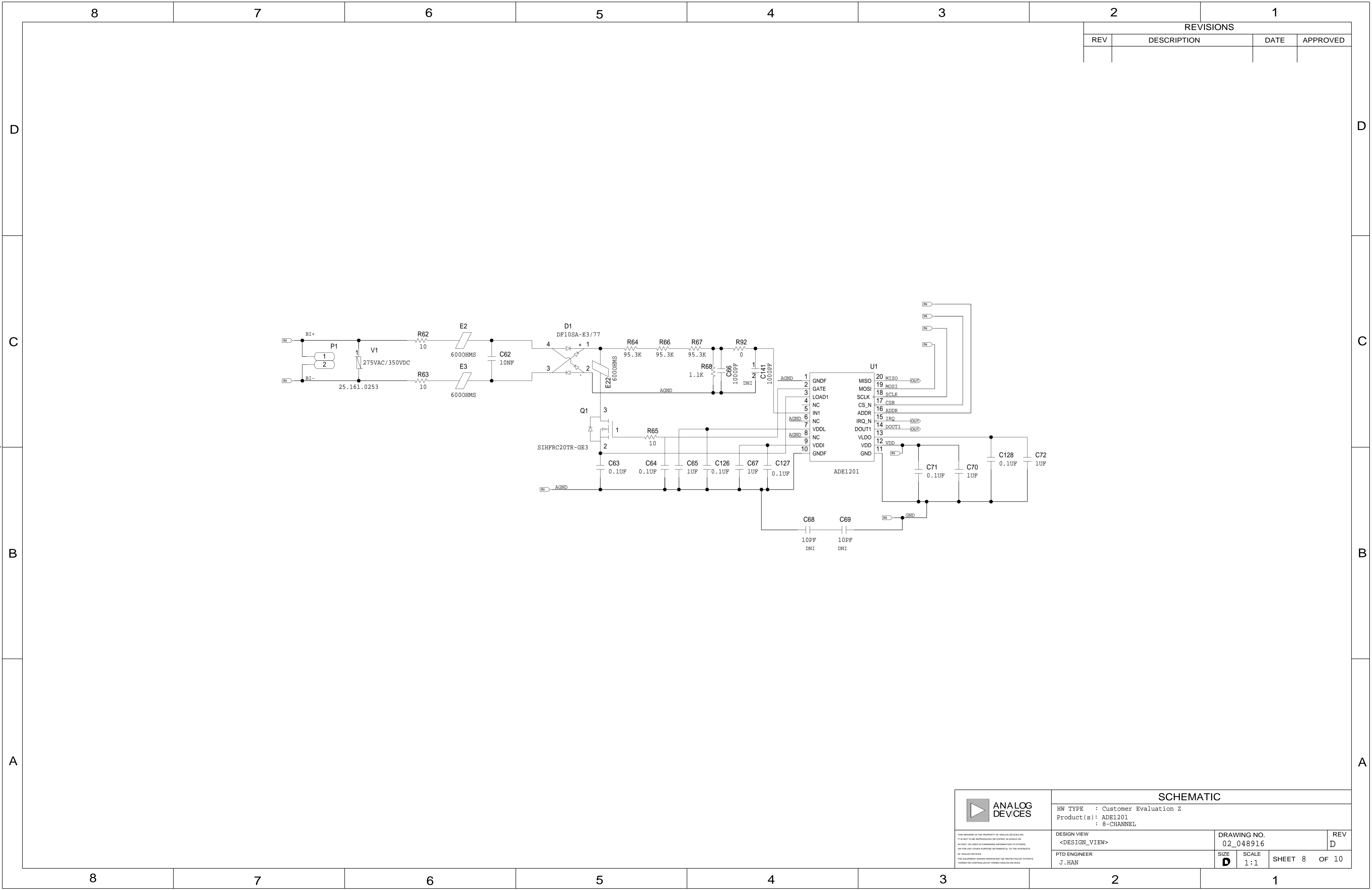


	<b>SCHEMATIC</b>		
	HW TYPE : Customer Evaluation Z Product(s): ADE1201 : 8-CHANNEL		
DESIGN VIEW <DESIGN_VIEW>	DRAWING NO. 02_048916	REV D	
PTD ENGINEER J. HAN	SIZE D	SCALE 1:1	SHEET 7 OF 10

REVISIONS			
REV	DESCRIPTION	DATE	APPROVED

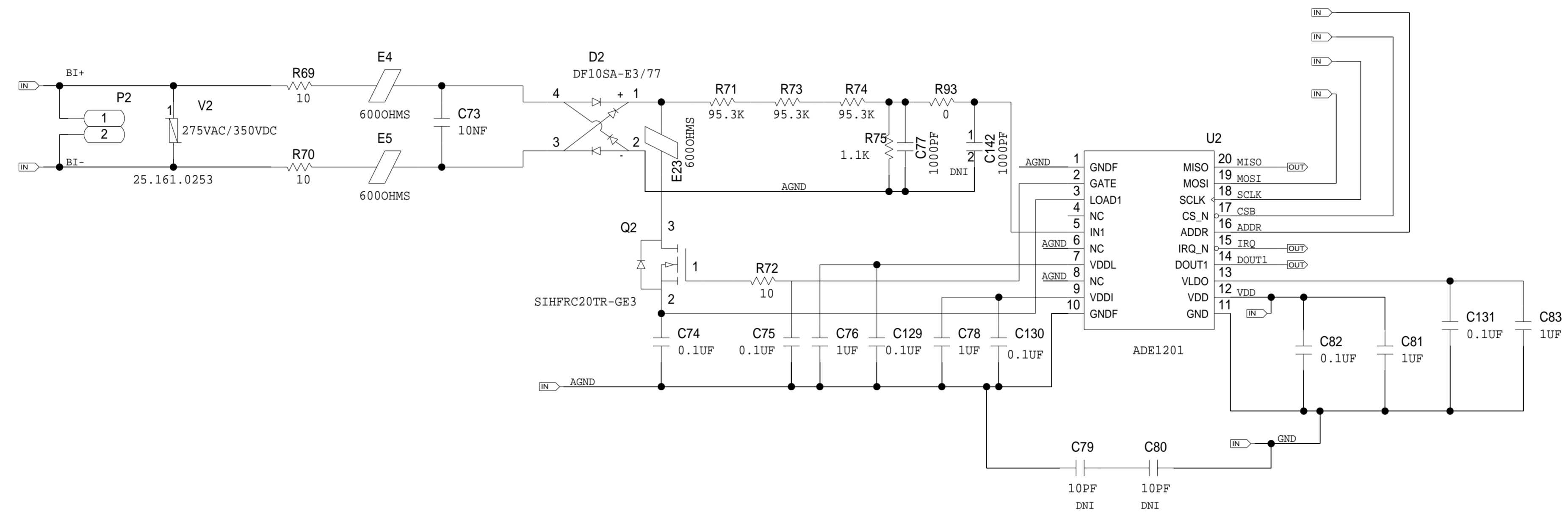


	<b>SCHEMATIC</b>		
	HW TYPE : Customer Evaluation Z Product(s): ADE1201 : 8-CHANNEL		
DESIGN VIEW <DESIGN_VIEW>	DRAWING NO. 02_048916	REV D	
PTD ENGINEER J. HAN	SIZE D	SCALE 1:1	SHEET 8 OF 10





REVISIONS			
REV	DESCRIPTION	DATE	APPROVED



	<b>SCHEMATIC</b>		
	HW TYPE : Customer Evaluation Z Product(s): ADE1201 : 8-CHANNEL		
DESIGN VIEW <DESIGN_VIEW>	DRAWING NO. 02_048916	REV D	
PTD ENGINEER J. HAN	SIZE D	SCALE 1:1	SHEET 9 OF 10

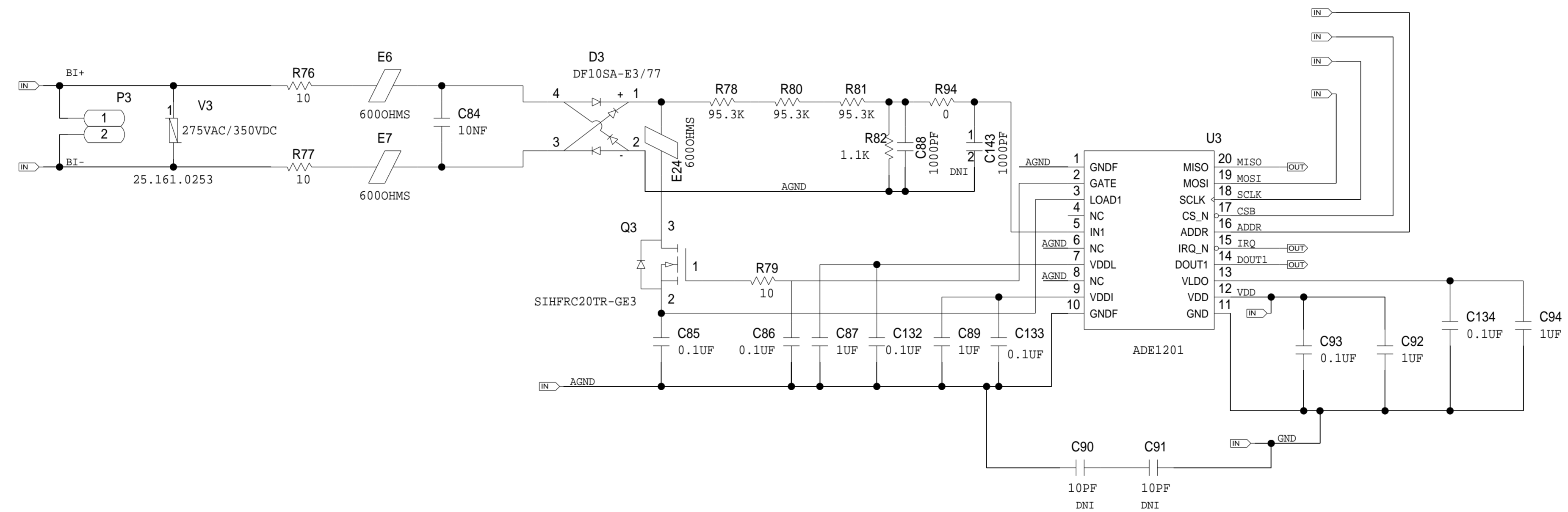
8 7 6 5 4 3 2 1

8 7 6 5 4 3 2 1

D C B A

D C B A

REVISIONS			
REV	DESCRIPTION	DATE	APPROVED



	<b>SCHEMATIC</b>		
	HW TYPE : Customer Evaluation Z Product(s): ADE1201 : 8-CHANNEL		
	DESIGN VIEW <DESIGN_VIEW>	DRAWING NO. 02_048916	REV D
	PTD ENGINEER J. HAN	SIZE <b>D</b>	SCALE 1:1
		SHEET 10 OF 10	