

CTSLF0732TF Series

From 3.3 μ H to 1,000 μ H



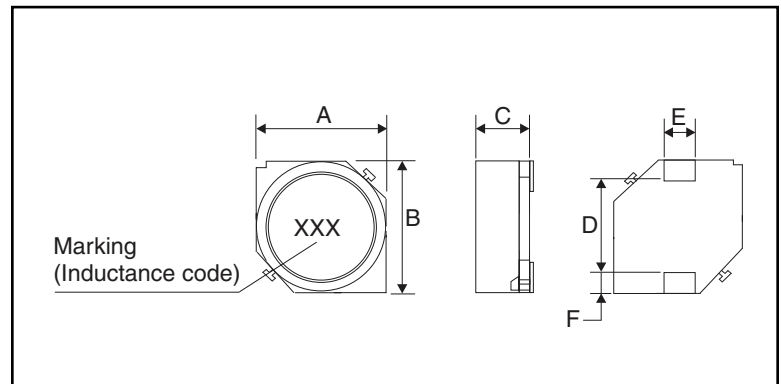
SPECIFICATIONS

Parts are available in $\pm 20\%$ inductance tolerance only.

Part Number	Inductance (μ H)	L Test Freq. (kHz)	DCR $\pm 20\%$ (Ω)	Rated DC (A)
CTSLF0732TF-3R3M	3.3	1.0	0.023	1.90
CTSLF0732TF-4R7M	4.7	1.0	0.036	1.70
CTSLF0732TF-6R8M	6.8	1.0	0.041	1.60
CTSLF0732TF-100M	10	1.0	0.053	1.40
CTSLF0732TF-150M	15	1.0	0.075	1.10
CTSLF0732TF-220M	22	1.0	0.110	0.96
CTSLF0732TF-330M	33	1.0	0.160	0.75
CTSLF0732TF-470M	47	1.0	0.240	0.67
CTSLF0732TF-680M	68	1.0	0.310	0.59
CTSLF0732TF-101M	100	1.0	0.450	0.45
CTSLF0732TF-151M	150	1.0	0.650	0.37
CTSLF0732TF-221M	220	1.0	1.050	0.29
CTSLF0732TF-331M	330	1.0	1.670	0.22
CTSLF0732TF-471M	470	1.0	2.050	0.20
CTSLF0732TF-681M	680	1.0	3.150	0.16
CTSLF0732TF-102M	1000	1.0	4.780	0.13

PHYSICAL DIMENSIONS

Size	A	B	C	D	E	F
mm	7 \pm 0.2	7 \pm 0.2	3.2 \pm 0.2	4.9 \pm 0.2	2.0 \pm 0.2	0.9 \pm 0.2
inches	0.276 \pm 0.008	0.276 \pm 0.008	0.126 \pm 0.008	0.193 \pm 0.008	0.079 \pm 0.008	0.035 \pm 0.008



CHARACTERISTICS

- Description:** SMD (shielded) power inductor
- Applications:** For power source circuits, low profile type DC to DC converters, DC to AC inverters, etc.
- Operating Temperature:** -40°C to 125°C (including self - temperature rise)
- Inductance Tolerance:** $\pm 20\%$
- Testing:** Inductance is tested on a HP4284A at 1.0kHz, 0.5V
- Rated Current:** Value obtained when DC current flows and the initial value of inductance has fallen by 10%
- Packaging:** Tape & Reel
- Marking:** Parts are marked with inductance code
- Miscellaneous:** RoHS Compliant. Magnetically shielded
- Additional Information:** Additional electrical & physical informational available upon request

PAD LAYOUT

