

REVISIONS

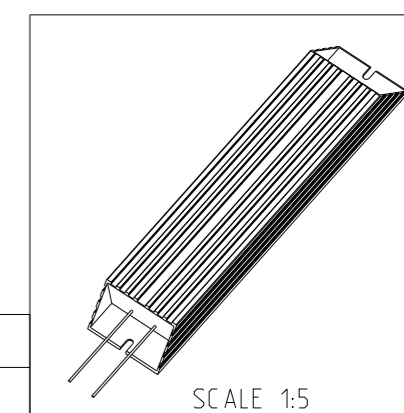
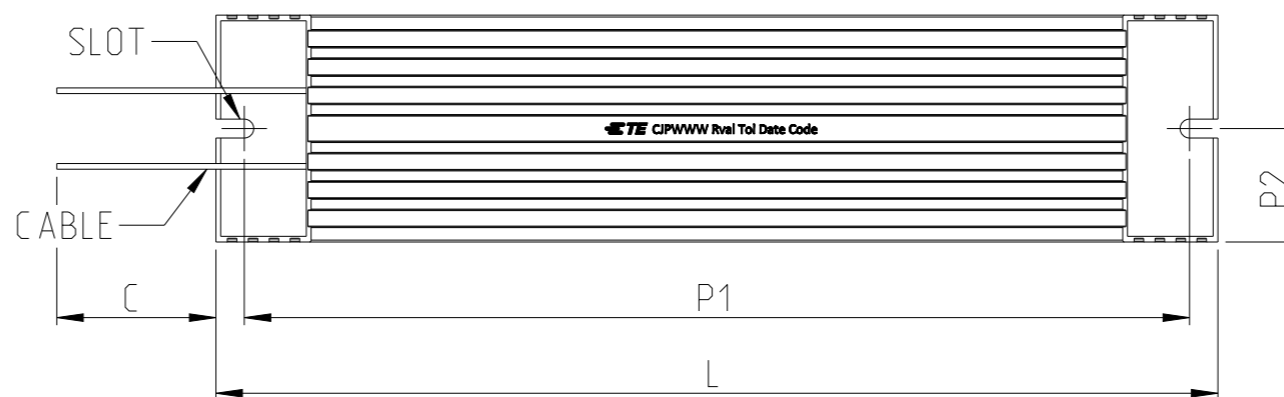
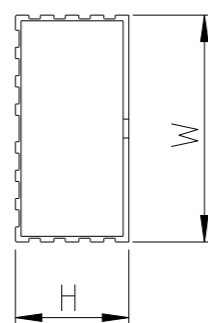
NOTE:

- 1 MOUNTING: 2x SLOT 5x10mm
- 2 TERMINATION CABLES: UL APPROVED FEP CABLES FOR THE TERMINATIONS, BASED ON THE RESISTOR CURRENT RATING (SEE CHART BELOW) WITH E5 RING TERMINALS

CURRENT RATING	CABLE SIZE USED
≤15A	16 AWG
>15A & ≤25A	14 AWG
>25A & ≤35A	12 AWG

3 FOR FURTHER INFORMATION SEE DATA SHEET FOR CJP SERIES OF ALUMINIUM HOUSED RESISTOR

P	LTR	DESCRIPTION	DATE	DWN	APVD
	A	INITIAL DRAWING RELEASE	27MAY2022	KS	AP



PART NUMBER	L	W	H	C	P1	P2
CJP400	265	60	30	290	250	30

THIS DRAWING IS A CONTROLLED DOCUMENT.

DWN	KARTHIK S	27MAY2022
CHK	ALLAN P	27MAY2022
APVD	ALLAN P	27MAY2022



DIMENSIONS:	TOLERANCES UNLESS OTHERWISE SPECIFIED:
mm	
	0 PLC ±-
	1 PLC ±0.5
	2 PLC ±0.13
	3 PLC ±0.013
	4 PLC ±0.0001
	ANGLES ±
MATERIAL	FINISH
-	-
-	-

PRODUCT SPEC	-
APPLICATION SPEC	-
WEIGHT	-
CUSTOMER DRAWING	

NAME			
ALUMINIUM ENCLOSED RESISTOR CJP400 SERIES			
SIZE	CAGE CODE	DRAWING NO	RESTRICTED TO
A3	00779	C=2176509	-
SCALE		SHEET	REV
1:2		1 OF 2	A

REVISIONS

P	LTR	DESCRIPTION	DATE	DWN	APVD
	-	SEE SHEET 1	-	-	-

SCHEDULE

TCPN	PRODUCT NUMBER	MATERIAL DESCRIPTION	PART STATUS
2176509-1	C JP400J1R5J	C JP 400W 1R5 5% LEAD	PRODUCTION
2176509-2	C JP400J1R8J	C JP 400W 1R8 5% LEAD	PRODUCTION
2176509-3	C JP400J2R2J	C JP 400W 2R2 5% LEAD	PRODUCTION
2176509-4	C JP400J2R7J	C JP 400W 2R7 5% LEAD	PRODUCTION
2176509-5	C JP400J3R3J	C JP 400W 3R3 5% LEAD	PRODUCTION
2176509-6	C JP400J3R9J	C JP 400W 3R9 5% LEAD	PRODUCTION
2176509-7	C JP400J4R7J	C JP 400W 4R7 5% LEAD	PRODUCTION
2176509-8	C JP400J5R6J	C JP 400W 5R6 5% LEAD	PRODUCTION
2176509-9	C JP400J6R8J	C JP 400W 6R8 5% LEAD	PRODUCTION
1-2176509-0	C JP400J8R2J	C JP 400W 8R2 5% LEAD	PRODUCTION
1-2176509-1	C JP400J10RJ	C JP 400W 10R 5% LEAD	PRODUCTION
1-2176509-2	C JP400J12RJ	C JP 400W 12R 5% LEAD	PRODUCTION
1-2176509-3	C JP400J15RJ	C JP 400W 15R 5% LEAD	PRODUCTION
1-2176509-4	C JP400J18RJ	C JP 400W 18R 5% LEAD	PRODUCTION
1-2176509-5	C JP400J22RJ	C JP 400W 22R 5% LEAD	PRODUCTION
1-2176509-6	C JP400J27RJ	C JP 400W 27R 5% LEAD	PRODUCTION
1-2176509-7	C JP400J33RJ	C JP 400W 33R 5% LEAD	PRODUCTION
1-2176509-8	C JP400J39RJ	C JP 400W 39R 5% LEAD	PRODUCTION
1-2176509-9	C JP400J47RJ	C JP 400W 47R 5% LEAD	PRODUCTION
2-2176509-0	C JP400J56RJ	C JP 400W 56R 5% LEAD	PRODUCTION

SCHEDULE

TCPN	PRODUCT NUMBER	MATERIAL DESCRIPTION	PART STATUS
2-2176509-1	C JP400J68RJ	C JP 400W 68R 5% LEAD	PRODUCTION
2-2176509-2	C JP400J82RJ	C JP 400W 82R 5% LEAD	PRODUCTION
2-2176509-3	C JP400J100RJ	C JP 400W 100R 5% LEAD	PRODUCTION
2-2176509-4	C JP400J120RJ	C JP 400W 120R 5% LEAD	PRODUCTION
2-2176509-5	C JP400J150RJ	C JP 400W 150R 5% LEAD	PRODUCTION
2-2176509-6	C JP400J180RJ	C JP 400W 180R 5% LEAD	PRODUCTION
2-2176509-7	C JP400J220RJ	C JP 400W 220R 5% LEAD	PRODUCTION
2-2176509-8	C JP400J270RJ	C JP 400W 270R 5% LEAD	PRODUCTION
2-2176509-9	C JP400J330RJ	C JP 400W 330R 5% LEAD	PRODUCTION
3-2176509-0	C JP400J390RJ	C JP 400W 390R 5% LEAD	PRODUCTION
3-2176509-1	C JP400J470RJ	C JP 400W 470R 5% LEAD	PRODUCTION
3-2176509-2	C JP400J560RJ	C JP 400W 560R 5% LEAD	PRODUCTION
3-2176509-3	C JP400J680RJ	C JP 400W 680R 5% LEAD	PRODUCTION
3-2176509-4	C JP400J820RJ	C JP 400W 820R 5% LEAD	PRODUCTION
3-2176509-5	C JP400J1K0J	C JP 400W 1K0 5% LEAD	PRODUCTION
3-2176509-6	C JP400J1K2J	C JP 400W 1K2 5% LEAD	PRODUCTION
3-2176509-7	C JP400J1K5J	C JP 400W 1K5 5% LEAD	PRODUCTION
3-2176509-8	C JP400J1K8J	C JP 400W 1K8 5% LEAD	PRODUCTION

THIS DRAWING IS A CONTROLLED DOCUMENT.

DWN 27MAY2022  
KARTHIK S  
CHK 27MAY2022  
ALLAN P  
APVD 27MAY2022  
ALLAN P  
PRODUCT SPEC



NAME ALUMINIUM ENCLOSED RESISTOR  
CJP400 SERIES

DIMENSIONS:	TOLERANCES UNLESS OTHERWISE SPECIFIED:
mm	
	0 PLC ± 1 PLC ±0.5 2 PLC ±0.13 3 PLC ±0.013 4 PLC ±0.0001 ANGLES ±
MATERIAL	FINISH
-	-
-	-

APPLICATION SPEC -  
WEIGHT -

SIZE	CAGE CODE	DRAWING NO	RESTRICTED TO
A3	00779	C=2176509	-

CUSTOMER DRAWING SCALE 1:1 SHEET 2 OF 2 REV A