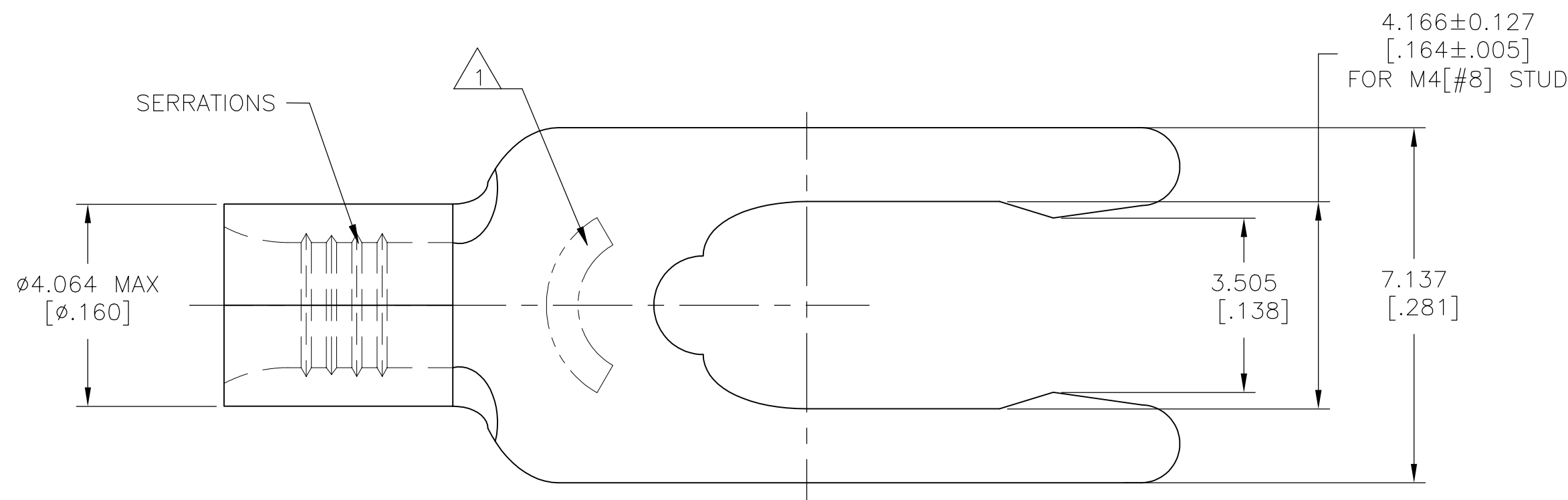


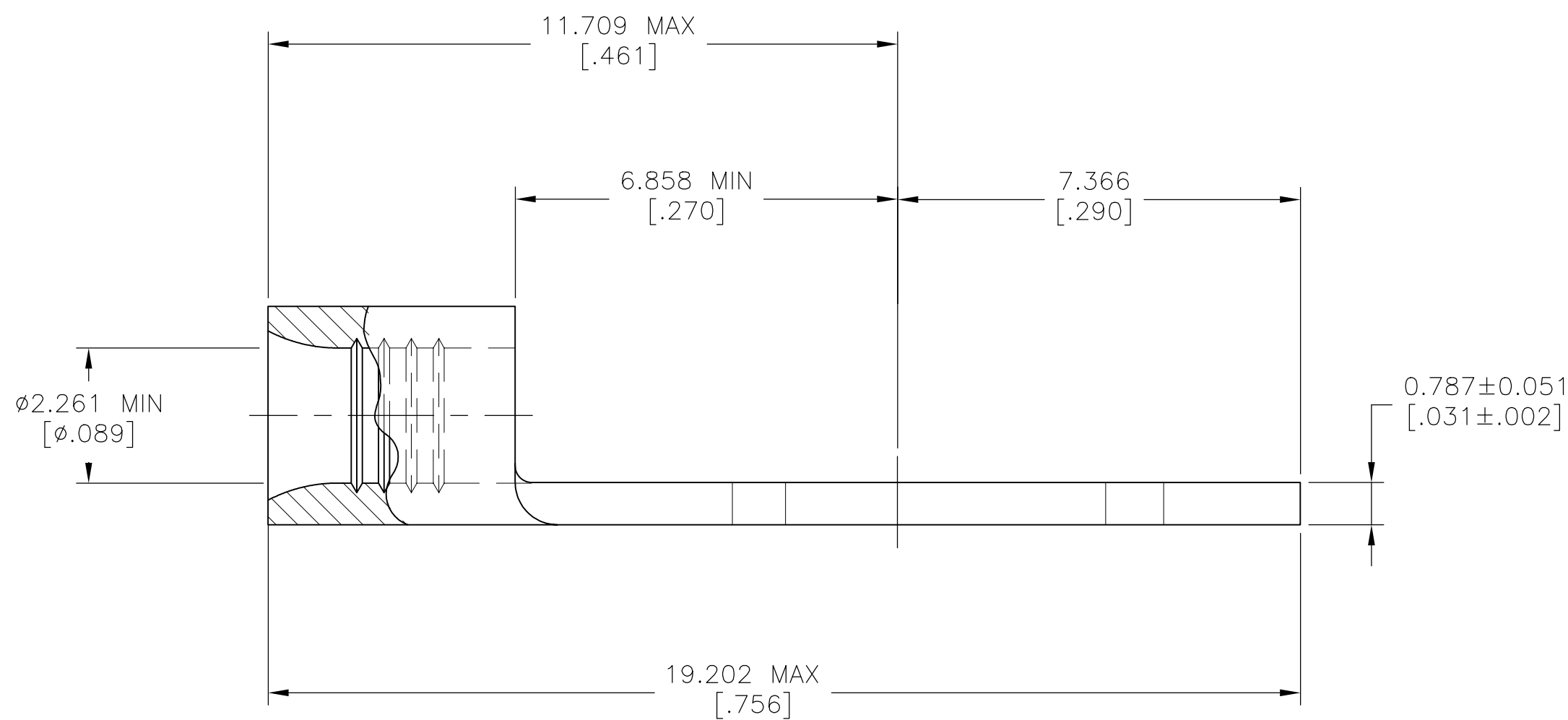
THIS DRAWING IS UNPUBLISHED. RELEASED FOR PUBLICATION
 © COPYRIGHT - TE Connectivity Ltd. ALL RIGHTS RESERVED.

REVISIONS					
P	LTR	DESCRIPTION	DATE	DWN	APVD
D		REV PER 0G3A-0305-03	20MAY03	JR	MS
D1		REVISED PER ECO-17-008806	14FEB2018	RS	DR



AMP WIRE RANGE	UL Listed FILE E13288	LR7189 Certified
16-14 AWG STRANDED	16-14 AWG STRANDED	NOT CERTIFIED

- 1 STAMP 8S AMP 16-14* APPROX AS SHOWN
8S INDICATES STUD SIZE
- 2 PHOSPHOR BRONZE PER ASTM B-103
ANNEALED
- 3 0.00254 [.000100] MIN TIN PLATE
PER ASTM B-545
- 4 NOTE DELETED



1000	LOOSE PIECE	52704-1
QTY	PACKAGE TYPE	PART NO

AMP INCORPORATED CUSTOMER SERVICE SYSTEMS		MAX RECOMMENDED OPERATING TEMPERATURE: 170°C [338°F]	THIS DRAWING IS A CONTROLLED DOCUMENT.		DWN TA BRINKMAN 2-15-93										
		VOLTAGE RATING: N/A	DIMENSIONS: mm [INCHES]	TOLERANCES UNLESS OTHERWISE SPECIFIED:	CHK DA PATTERSON 2-15-93										
FOR ADDITIONAL PRODUCT INFORMATION OR COPIES OF DRAWINGS AND TECHNICAL DOCUMENTS	PRODUCT INFORMATION CENTER 1-800-522-6752	CIRCULAR MIL AREA: 1.04-2.62mm² [2.050-5.180] STRANDED		<table border="1"> <tr> <td>0 PLC</td> <td>± -</td> </tr> <tr> <td>1 PLC</td> <td>± -</td> </tr> <tr> <td>2 PLC</td> <td>± -</td> </tr> <tr> <td>3 PLC</td> <td>± 0.127[.005]</td> </tr> <tr> <td>4 PLC</td> <td>± -</td> </tr> </table>	0 PLC	± -	1 PLC	± -	2 PLC	± -	3 PLC	± 0.127[.005]	4 PLC	± -	APVD JL MECKLEY 2-15-93
0 PLC	± -														
1 PLC	± -														
2 PLC	± -														
3 PLC	± 0.127[.005]														
4 PLC	± -														
FOR APPLICATION	TOOLING ASSISTANCE CENTER 1-800-722-1111	MATERIAL - 2	FINISH - 3	PRODUCT SPEC UL 486 A-B	NAME TE Connectivity Ltd.										
TOOLING INFORMATION	1-800-526-5142	THIS DRAWING IS A CONTROLLED DOCUMENT FOR AMP INCORPORATED. IT IS SUBJECT TO CHANGE AND THE CONTROLLING ENGINEERING ORGANIZATION SHOULD BE CONTACTED FOR THE LATEST REVISION.		APPLICATION SPEC -	TERMINAL, LONG SPRING SPADE, BUDGET 16-14 AWG										
FOR ORDER ENTRY	1-800-526-5142			WEIGHT -	RESTRICTED TO -										
				CUSTOMER DRAWING	SCALE 10:1 SHEET 1 OF 1 REV D1										