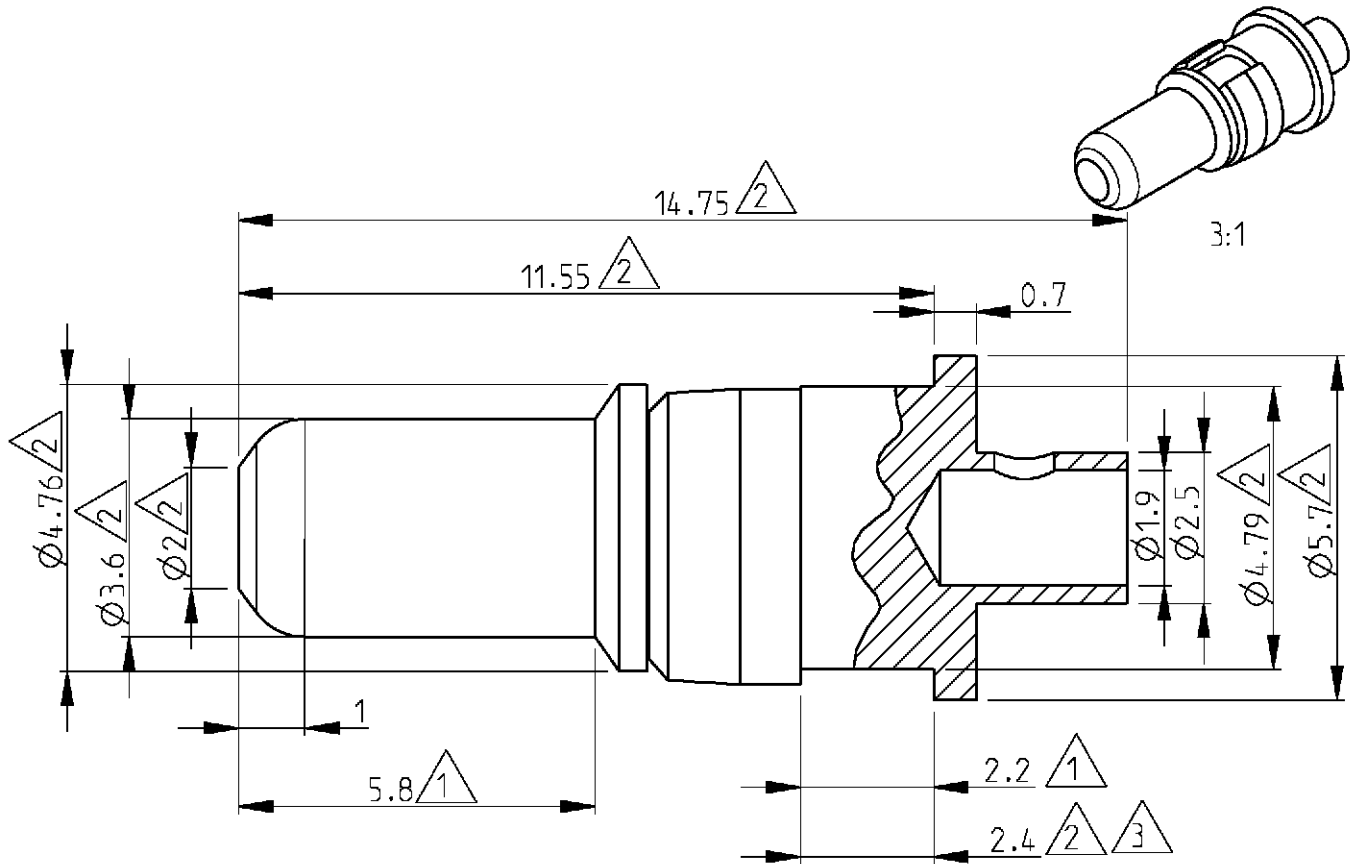


LOC	DIST	REVISIONS				
P	LTR	DESCRIPTION	DATE	DWN	APVD	
GW	-	A1	SR10-0170-01	26APR2001	BL	KM

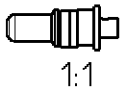


4) Application : DIN 41612 type M.

- 3 Measured with spring moved towards the mating face.
- 2 Max dimensions
- 1 Min dimensions

Cross reference table

Old part number	Tyco part number	Current	Material	Plating
C42334-A347-A195	3-1393589-1	10 A	Brass	1 μm Au or Pd in contact area



THIS DRAWING IS UNPUBLISHED. BY TYCO ELECTRONICS CORPORATION. ALL RIGHTS RESERVED. 2000

DIMENSIONS: mm	DWN B. Lenvain	19APR2001	MATERIAL	-	FINISH	-
	CHK K. Mattheeuws	19APR2001	Tyco Electronics Oostkamp - Belgium			
TOLERANCES UNLESS OTHERWISE SPECIFIED:	APVD R. Leeman	19APR2001				
0 PLC ±	PRODUCT SPEC	-	NAME High current plug			
1 PLC ±	APPLICATION SPEC	-	SIZE	CAGE CODE	DRAWING NO	RESTRICTED TO
2 PLC ±			A 4	00779	©=3-1393589-1	-
3 PLC ±	WEIGHT	-	CUSTOMER DRAWING			
4 PLC ±			SCALE	SHEET	OF	REV
ANGLES ±			8/1	1	1	A1