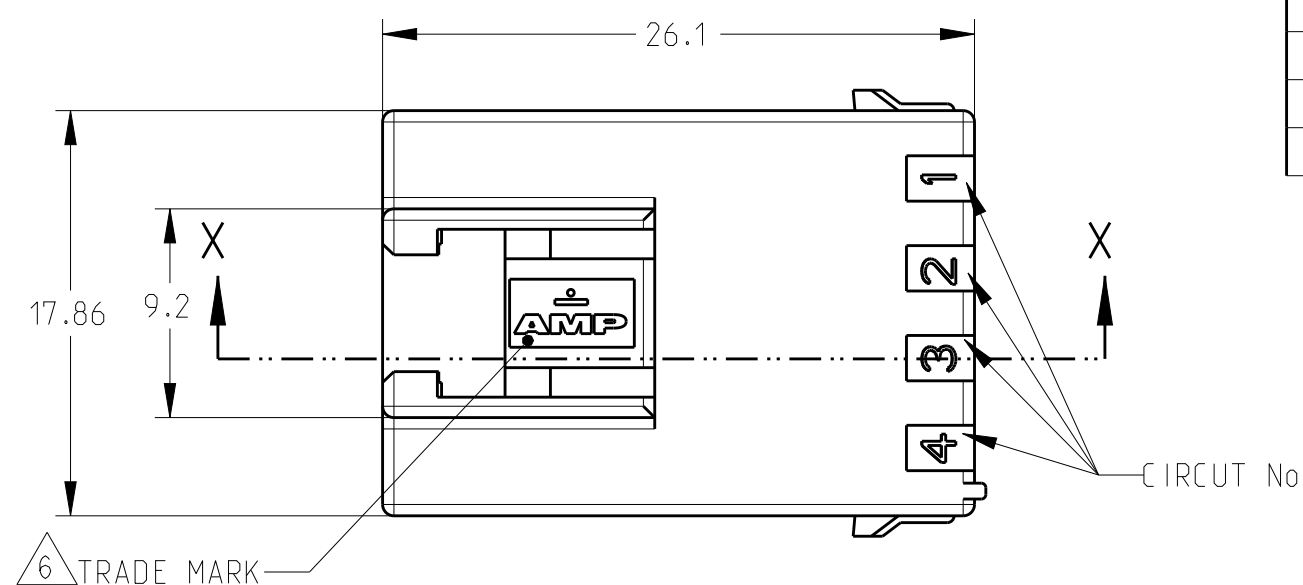
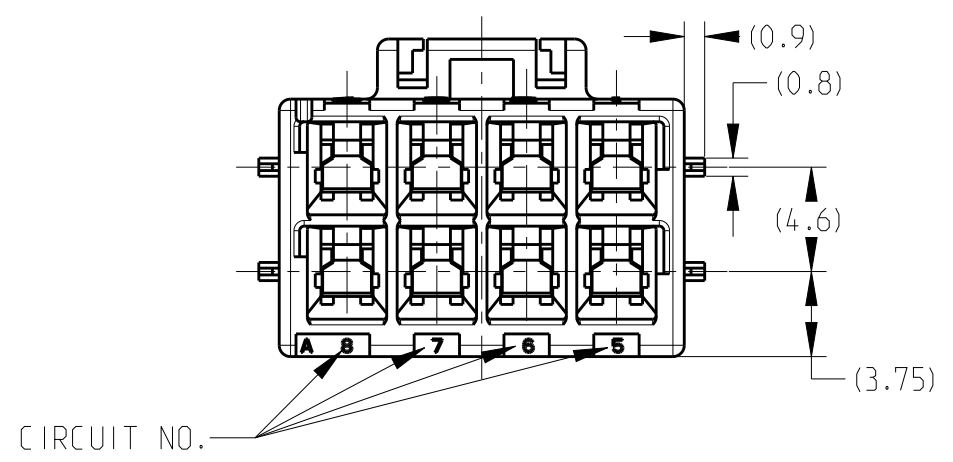
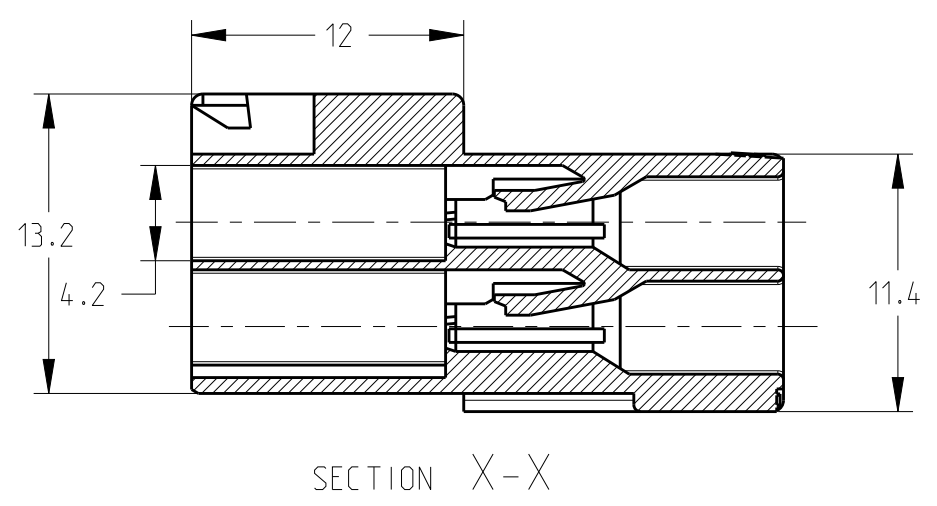
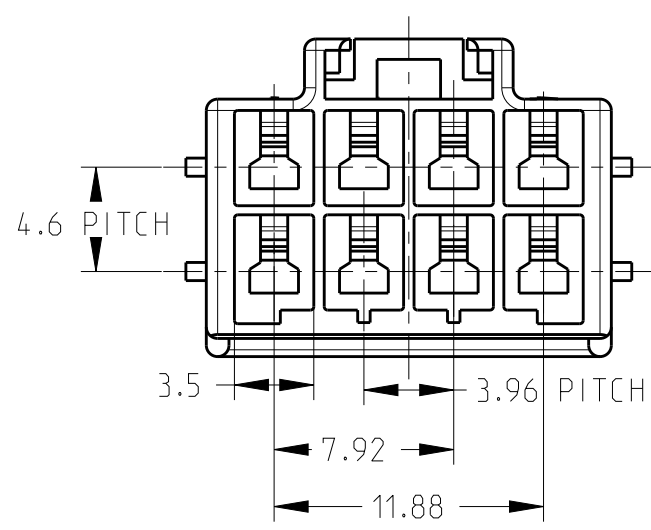


THIS DRAWING IS UNPUBLISHED. RELEASED FOR PUBLICATION 20  
 © COPYRIGHT 20 BY - ALL RIGHTS RESERVED.


REVISIONS					
P	LTR	DESCRIPTION	DATE	DWN	APVD
A1		REVISED PER ECR-17-000605	15FEB2017	N.L	D.Z
B		REVISED PER ECR-19-009721	01JUL2019	M.G	D.Z



- NOTES:
- THIS HOUSING ACCEPTS TAB TERMINAL:  
 TAB CONTACT: 177917- ( #20-#16AWG)  
 177916- ( #26-#22AWG)
  - MATING CONN. P/N  
 PLUG HSG: 1971598-  
 REC CONTACT: 177915- ( #20-#16AWG)  
 177914- ( #26-#22AWG)
  - APPLICABLE PLATE P/N: 177920-
  - INSTRUCTION SHEET: 411-5638
  - MATERIAL: PA66 UL94V-0  
 PART 1971600-1 COMPLY WITH GLOW WIRE REQUIREMENT FOR PARTS OF NO-METALLIC MATERIAL SUPPORTING A CURRENT-CARRYING CONNECTOR DETAILED IN IEC 60335-1, SECTION 30(GWT)



8	NATURAL	1971600-1
POS	COLOR	P/N

THIS DRAWING IS A CONTROLLED DOCUMENT.		DWN ALEX ZHANG 25SEP2009	 TE Connectivity	
DIMENSIONS: mm		CHK HAPYE WU 25SEP2009		
TOLERANCES UNLESS OTHERWISE SPECIFIED:		APVD JULIAN ZHOU 25SEP2009	NAME PDL CONN, 3.96mm PITCH (DBL ROW) 8 POS CAP HOUSING, FREE HANGING (GWT)	
0 PLC ±		PRODUCT SPEC 108-5410	SIZE A3	
1 PLC ±0.5		APPLICATION SPEC 114-5175	CAGE CODE 00779	DRAWING NO 1971600
2 PLC ±0.3		WEIGHT -	RESTRICTED TO -	
3 PLC ±		MATERIAL 5	SCALE 3:1	
4 PLC ±			SHEET 1 OF 1	
ANGLES ±		REV B		
FINISH -		CUSTOMER DRAWING		