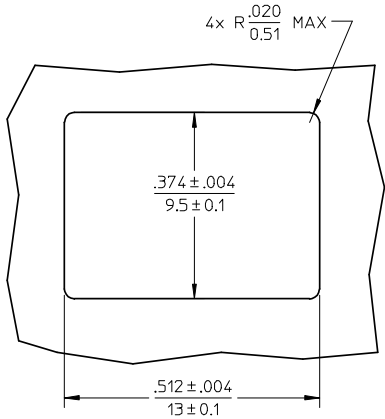
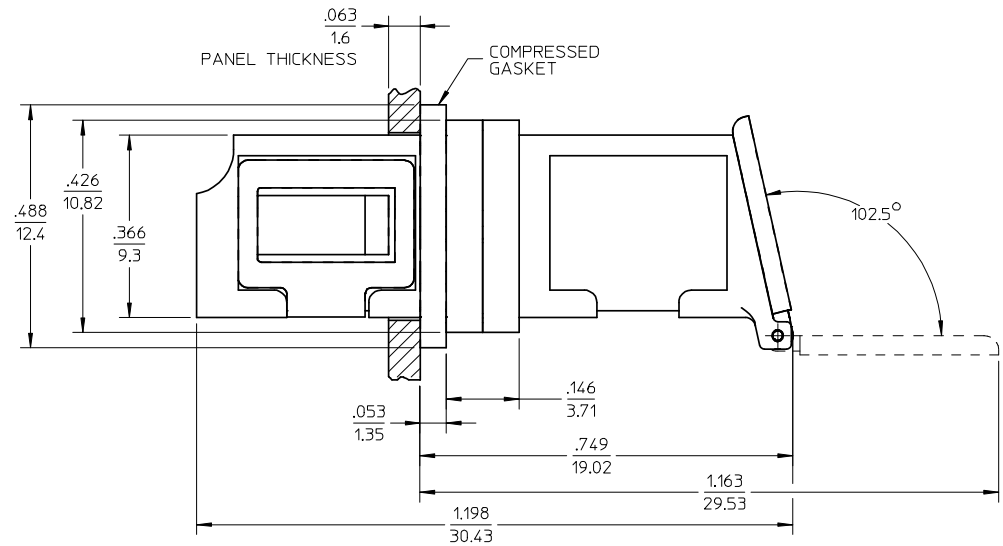
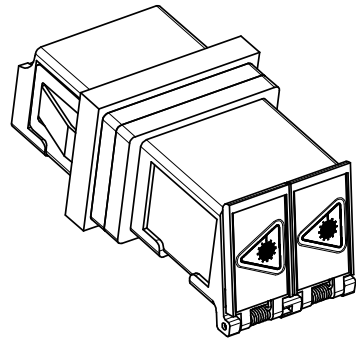
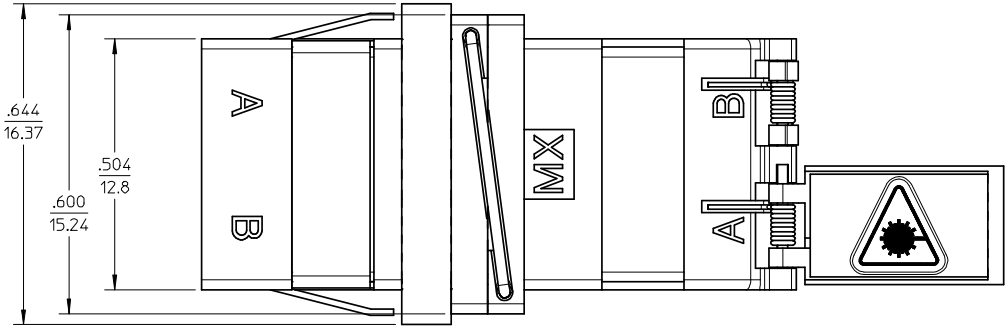
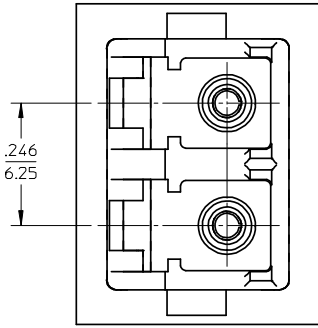


ADAPTER P/N	SPLIT SLEEVE MATERIAL	EMI GASKET MATERIAL
106115-2110	Zr	FABRIC OVER FOAM
106115-2116	Ph. Bronze	FABRIC OVER FOAM
106115-2117	Zr	SOLID



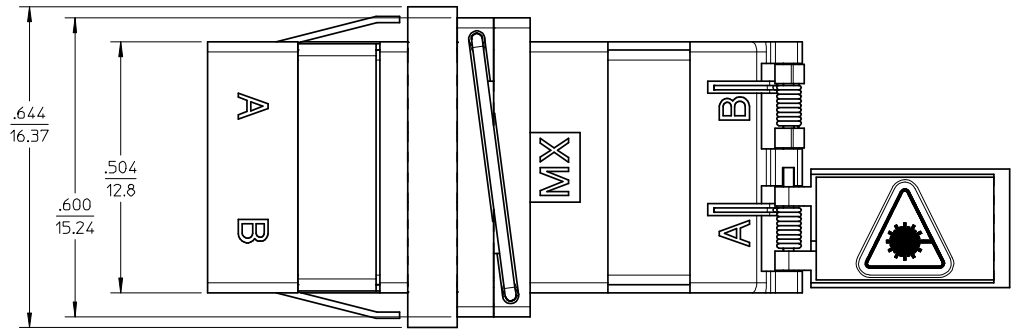
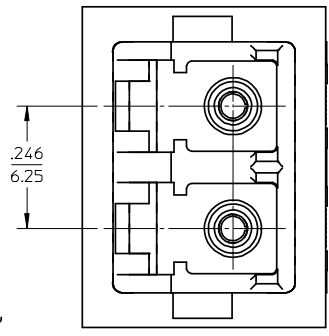
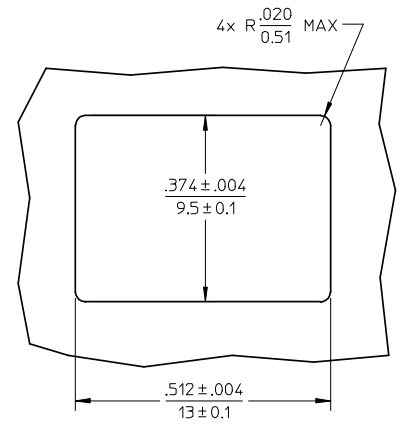
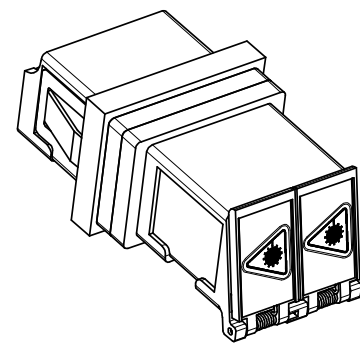
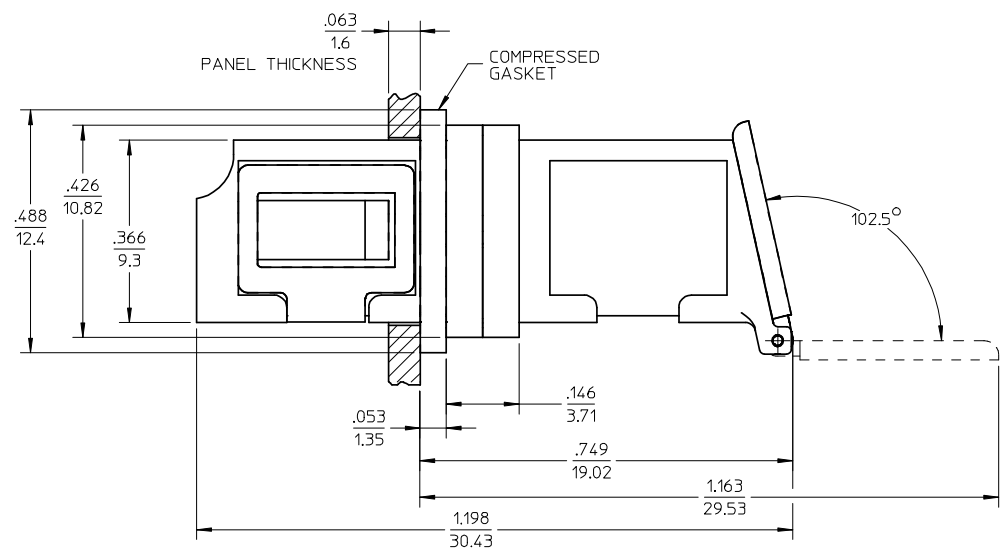
RECOMMENDED PANEL CUTOUT  
 PANEL THICKNESS - 1.6mm/.063"



- NOTES:
1. ALL DIMENSIONS ARE FOR REFERENCE ONLY.
  2. CONDUCTIVE FABRIC OVER FOAM GASKET IS SUPPLIED WITH PART.
  3. PART IS DIECAST.
  4. DUST CAPS NOT SHOWN.
  5. ADAPTERS TO BE PACKAGED IN TRAY.

ENTER DESCRIPTION EC NO: MF2009-0058 DR: MINKPEVZNER CHKD: 2008/08/06 APPR: LGUMIN 2008/08/07 B3	QUALITY SYMBOLS ▽=0 ▽=0	GENERAL TOLERANCES (UNLESS SPECIFIED) mm INCH 4 PLACES ± --- ± --- 3 PLACES ± --- ± --- 2 PLACES ± --- ± --- 1 PLACE ± --- ± --- ANGULAR ±1/2°	DIMENSION STYLE IN/MM DRAWN BY PGIBLIN DATE 2005/12/09 CHECKED BY DATE APPROVED BY DATE	SCALE 4:1 DESIGN UNITS INCH THIRD ANGLE PROJECTION
	DRAFT WHERE APPLICABLE MUST REMAIN WITHIN DIMENSIONS		MATERIAL NO. SEE TABLE SIZE B	TITLE LC-D EMI ADAPTER, (SNAP MOUNT, W/SHUTTERS) MOLEX INCORPORATED DOCUMENT NO. SD-106115-211X SHEET NO. 1 OF 1
	THIS DRAWING CONTAINS INFORMATION THAT IS PROPRIETARY TO MOLEX INCORPORATED AND SHOULD NOT BE USED WITHOUT WRITTEN PERMISSION			
	MILEX			

ADAPTER P/N	SPLIT SLEEVE MATERIAL	EMI GASKET MATERIAL
106115-2110	Zr	FABRIC OVER FOAM
106115-2116	Ph. Bronze	FABRIC OVER FOAM
106115-2117	Zr	SOLID



RECOMMENDED PANEL CUTOUT  
 PANEL THICKNESS - 1.6mm/.063"

- NOTES:
- ALL DIMENSIONS ARE FOR REFERENCE ONLY.
  - CONDUCTIVE FABRIC OVER FOAM GASKET IS SUPPLIED WITH PART.
  - PART IS DIECAST.
  - DUST CAPS NOT SHOWN.
  - ADAPTERS TO BE PACKAGED IN TRAY.

ENTER DESCRIPTION EC NO: MF2009-0058 DR: MINKPEVZNER CHKD: 2008/08/06 APPR: LGUMIN 2008/08/07 B3	QUALITY SYMBOLS ▽=0 ▽=0	GENERAL TOLERANCES (UNLESS SPECIFIED) mm INCH 4 PLACES ± --- ± --- 3 PLACES ± --- ± --- 2 PLACES ± --- ± --- 1 PLACE ± --- ± --- ANGULAR ±1/2°	DIMENSION STYLE IN/MM DRAWN BY PGIBLIN DATE 2005/12/09 CHECKED BY DATE APPROVED BY DATE	SCALE 4:1 DESIGN UNITS INCH THIRD ANGLE PROJECTION
	DRAFT WHERE APPLICABLE MUST REMAIN WITHIN DIMENSIONS		MATERIAL NO. SEE TABLE SIZE B	TITLE LC-D EMI ADAPTER, (SNAP MOUNT, W/SHUTTERS) MOLEX INCORPORATED DOCUMENT NO. SD-106115-211X SHEET NO. 1 OF 1
	THIS DRAWING CONTAINS INFORMATION THAT IS PROPRIETARY TO MOLEX INCORPORATED AND SHOULD NOT BE USED WITHOUT WRITTEN PERMISSION			
	MILEX			