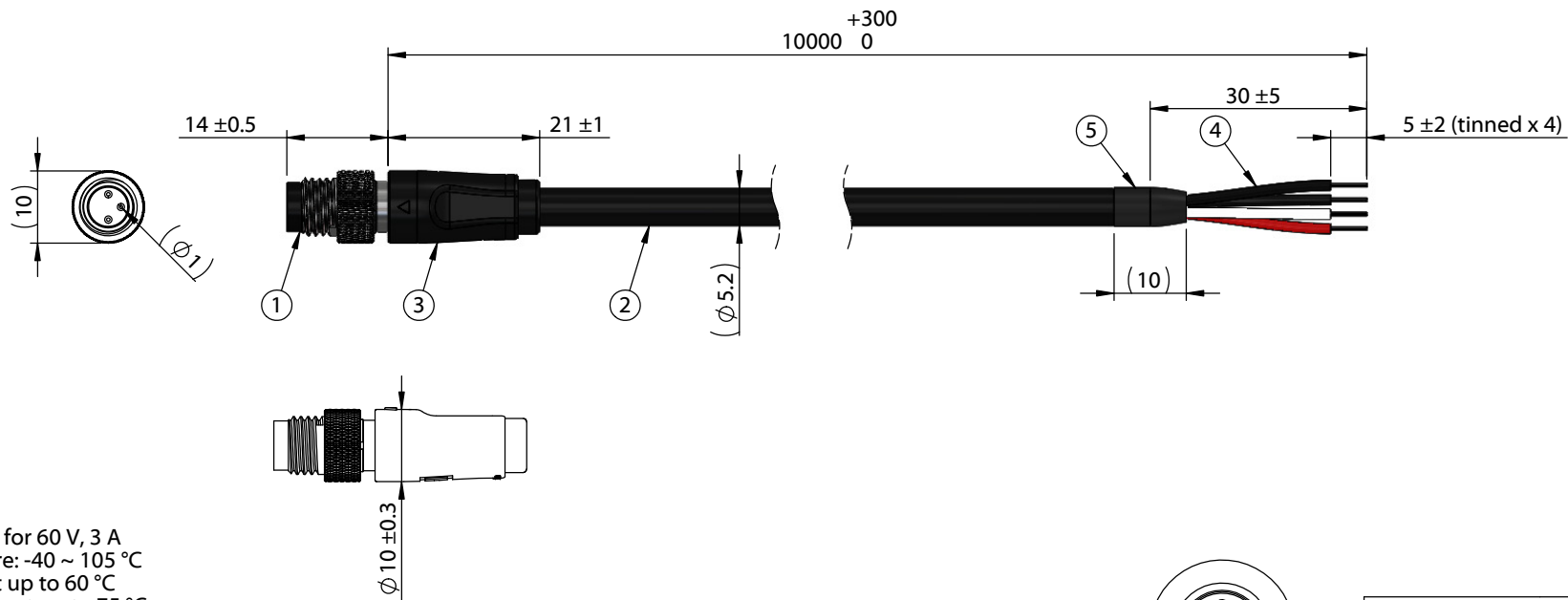


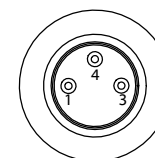
| ITEM NO. | PART NUMBER | DESCRIPTION | QTY. | COMPONENT NOTES |
|----------|-------------|--|------|----------------------|
| 1 | 50-00679 | Connector, 3 pin M8 A-code plug, 8x19.2 mm, gold plated, molding style, solder cup, IP67, shielded | 1 | |
| 2 | 30-01571 | Wire, 3C TS, 24 AWG, UL20387, 300V, 105C, 60C oil, UV, 5.2 mm, shielded, VW-1, PVC, 80A, black | 1 | |
| 3 | 24-00378 | Overmold, M8 plug and jack, 180° | 1 | PVC, black |
| 4 | Heat Shrink | Heat shrink, black | 1 | covers drain |
| 5 | Heat Shrink | Heat shrink, black | 1 | covers end of jacket |



Notes:
 Cable rated for 60 V, 3 A
 Temperature: -40 ~ 105 °C
 Oil resistant up to 60 °C
 Water resistant up to 75 °C
 UV resistant

IP67 waterproof rating when mated with corresponding (IP67) connector

Functionally equivalent components may be substituted



Front View
Not to Scale

| Wiring Diagram | |
|----------------|--------------|
| 50-00679 | wire color |
| 1 | red |
| 3 | black |
| 4 | white |
| Shell | shield/drain |

| | | | | | |
|-----------|----------|-----------------|--|---|---|
| Revision: | Date: | Description: | Prepared: | Notes: RoHS compliant Function test: no open, no short circuit, no intermittent | <h1>TENSILITY</h1> <p>tel 1.541.323.3228 800 877.670.7118 fax 1.541.323.4202 web tensility.com</p> |
| A | 3/4/2022 | Initial release | Verified: | | |
| | | | Dimensions are in millimeters. Tolerances: X: ± 0.5 mm X.X: ± 0.3 mm X.XX: ± 0.05 mm | Description: Cable, 10000mm, 1.0 mm 3C 50-00679 M8 plug to 5mm tinned, 24 AWG, 30-01571 wire, shielded | Size: A |
| | | | | | Part number: 10-04146 |
| | | | | | Scale: 1:1 |
| | | | | | Sheet 1 of 1 |

5

4

3

2

1