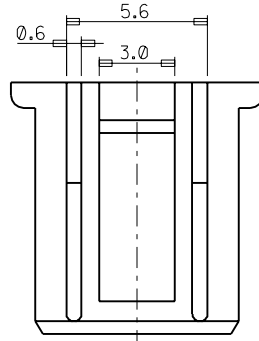
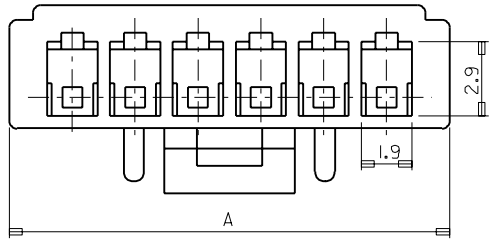
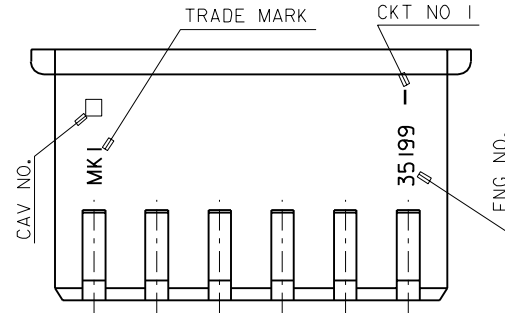
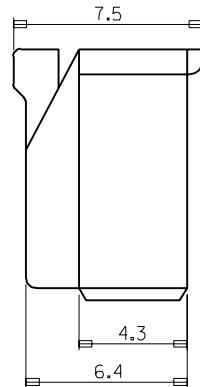
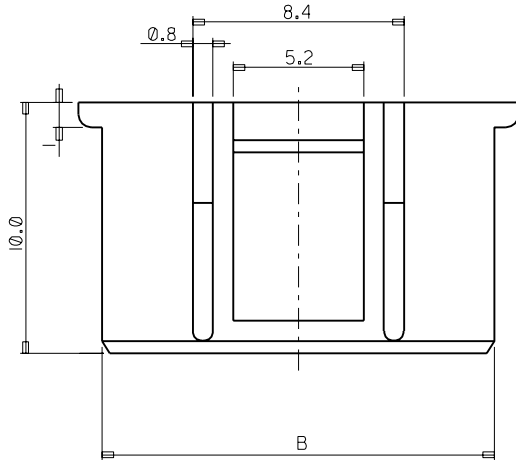
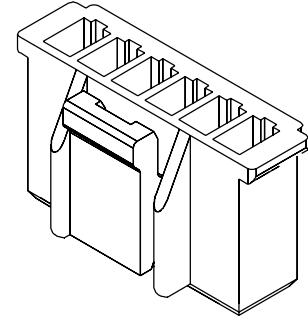


PROJECT NO. SIMILAR ITEM EDP NO. 35 199-\*\*-00 ENG. NO. SD 35 199-\*\*-00

8 7 6 5 4 3 2 1



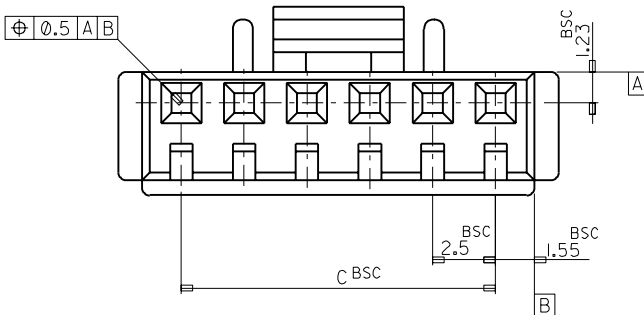
3 CKT ONLY



NOTE

- MATERIAL : PBT UL94V-0
- USED TERMINAL : 35074-8001/9002
- MATED : 35312/35184

35.0	38.1	40.0	35 199-1500	15
32.5	35.6	37.5		14
30.0	33.1	35.0		13
27.5	30.6	32.5		12
25.0	28.1	30.0		11
22.5	25.6	27.5		10
20.0	23.1	25.0		9
17.5	20.6	22.5		8
15.0	18.1	20.0		7
12.5	15.6	17.5		6
10.0	13.1	15.0		5
7.5	10.6	12.5		4
5.0	8.1	10.0	35 199-0300	3
C	B	A	ENG NO.	CKT



				MATERIAL	PBT UL94V-0		molex MOLEX-KOREA CO.,LTD.	
C	REVISED	97-038	97 4/07	GENERAL TOLERANCE		DRAWN BY		CHK'D BY
B	REVISED	96-094	96 8/20	DIMENSION : 0.2		H.S.SHIN		
A	NEW RELEASED	96-047	96 4/15	ANGLE : 1°		APP'D BY		SCALE 5-1
Ø	PROPOSAL		96 2/23	DIMENSION CLASSIFICATION		TITLE :		SHEET
LTR	REVISION RECORD	ECN	DATE	▽ : CRITICAL ▼ : MAJOR		2.5 PITCH W/B CONN.		1/1
				( ) : REFERENCE		HOUSING		REV
				ASS'Y PART		ENG. NO.		C
				DESCRIPTION		SD 35 199-**-00		
				ENG. NO.				
				REVISE ONLY ON CAD SYSTEM				