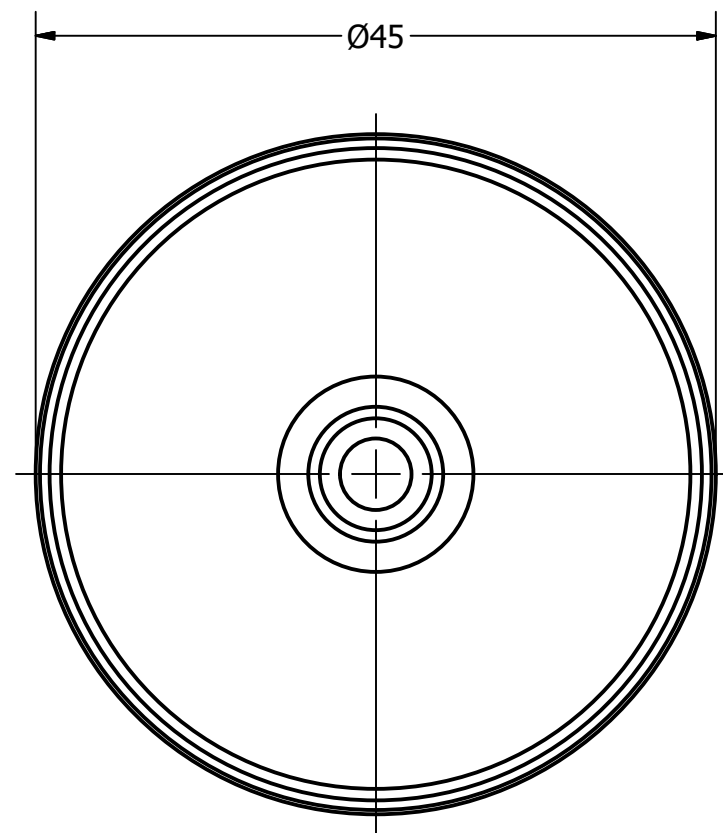
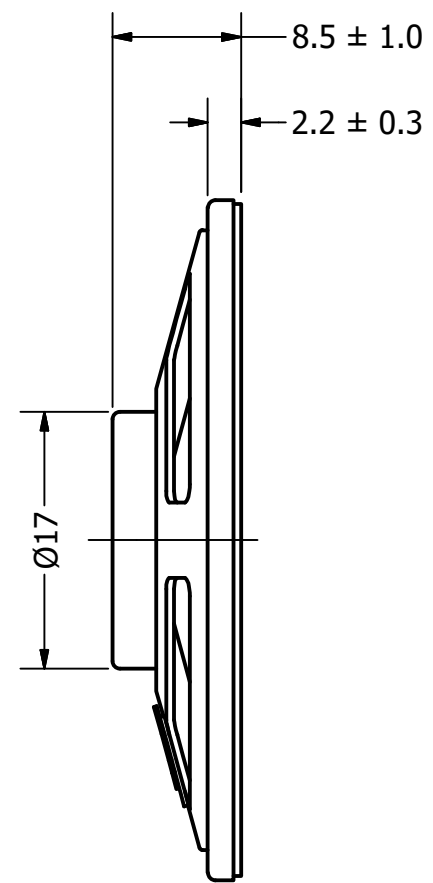


| | | |
|--------------|--|-----------|
| Part Number: | SM450608-1 | |
| | DRAWN CJ | 9/26/2017 |
| Description: | CHECKED P.D. | 9/27/2017 |
| | APPROVED C.E. | 9/27/2017 |
| | This document contains data proprietary to DB Unlimited. Any use or reproduction, in any form, without prior written permission of DB Unlimited is prohibited. All terms and conditions can be found at www.dbunlimitedco.com | |

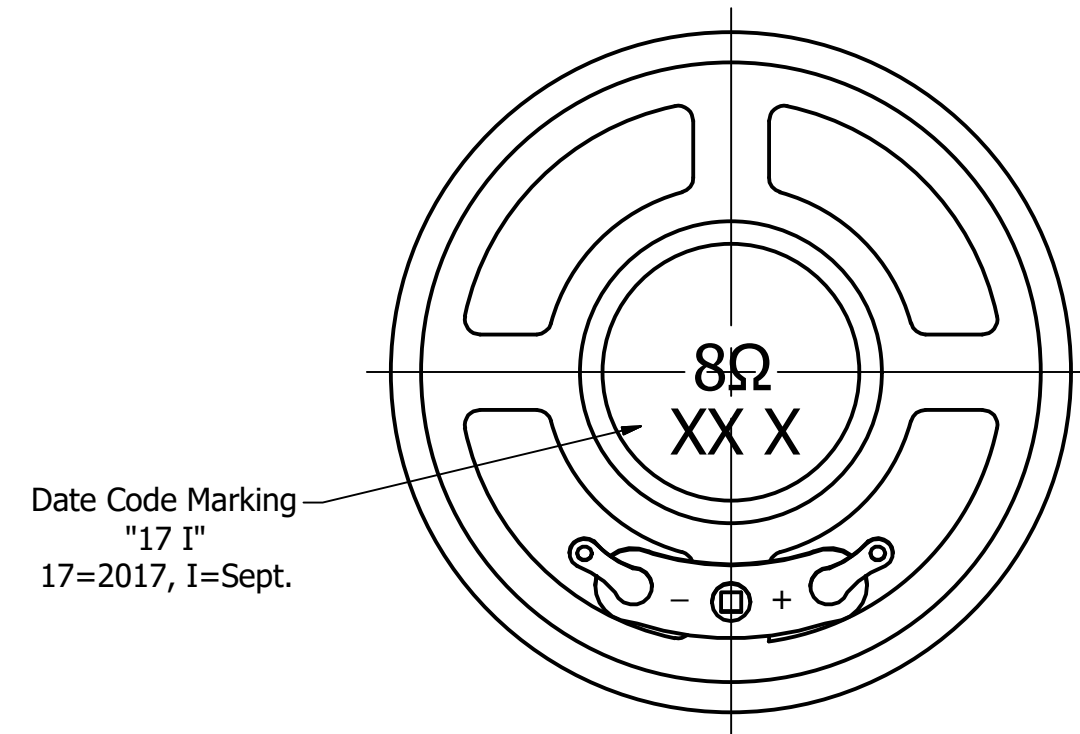
Top View



Side View



Bottom View



| Items | Specifications | Conditions | REVISION HISTORY | | | |
|-----------------------|----------------|-------------------|--|---------------------------|-----------|----------|
| Sound Pressure Level | 100 | dB (@ 10cm), Avg. | REV | DESCRIPTION | DATE | APPROVED |
| Resonant Frequency | 650 | Hz | 1 | Released from Engineering | 9/27/2017 | C.E. |
| Frequency Range | 650 ~ 5,000 | Hz | | Updated Weight | 9/28/2017 | C.E. |
| Nominal Power | 0.5 | W | NOTES | | | |
| Max. Power | 1 | W | 1) All dimensions are in mm unless otherwise noted | | | |
| Impedance | 8 | Ω | 2) All tolerances are ± 0.5 mm unless otherwise noted | | | |
| Cone Material | Mylar | | 3) All parts meet RoHS | | | |
| Mount Type | Flush Mount | | 4) Subject to change or redrawn without notice | | | |
| Storage Temperature | -30 ~ +70 | °C | 5) SPL measured at 0.5 W / 0.1m, average at 600, 800, 1,000 and 1,200Hz, ± 3dB | | | |
| Operating Temperature | -20 ~ +60 | °C | | | | |
| Weight | 11 | g | | | | |