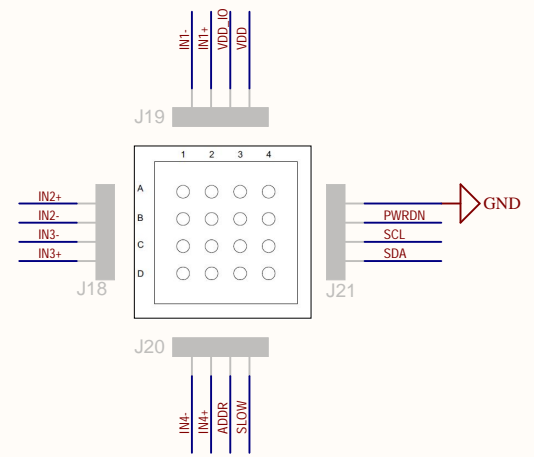
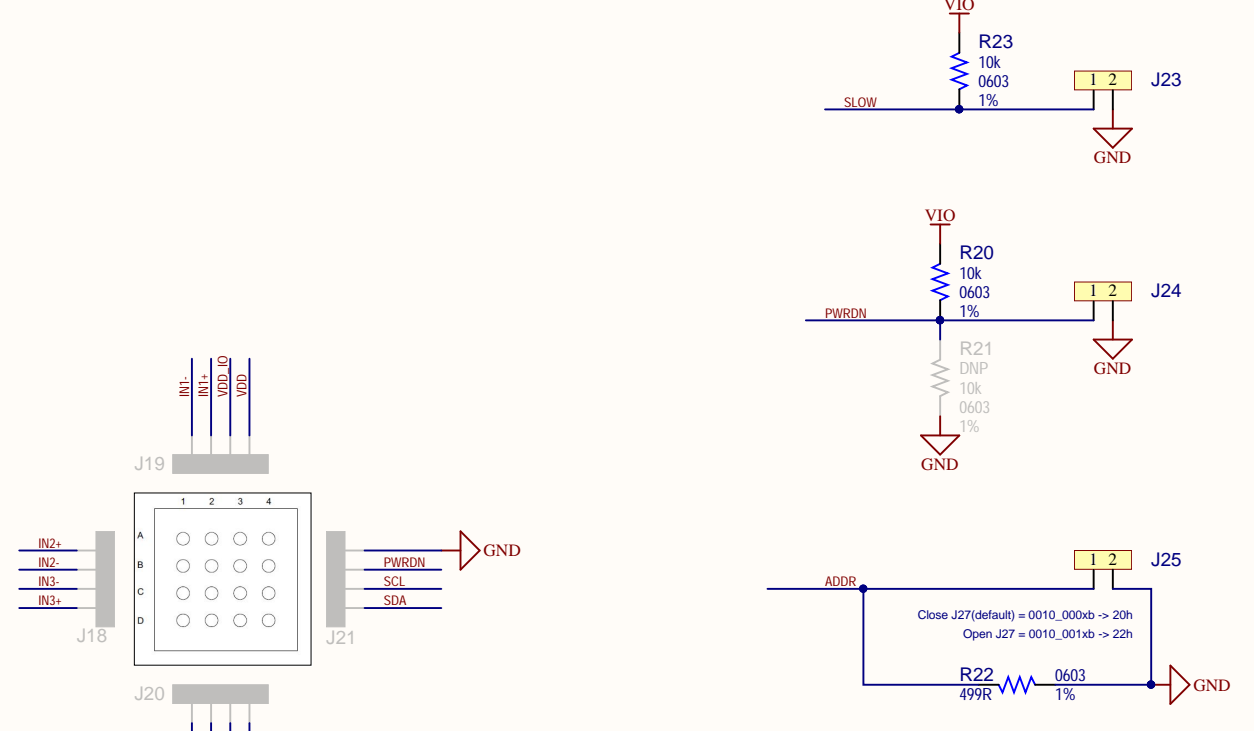
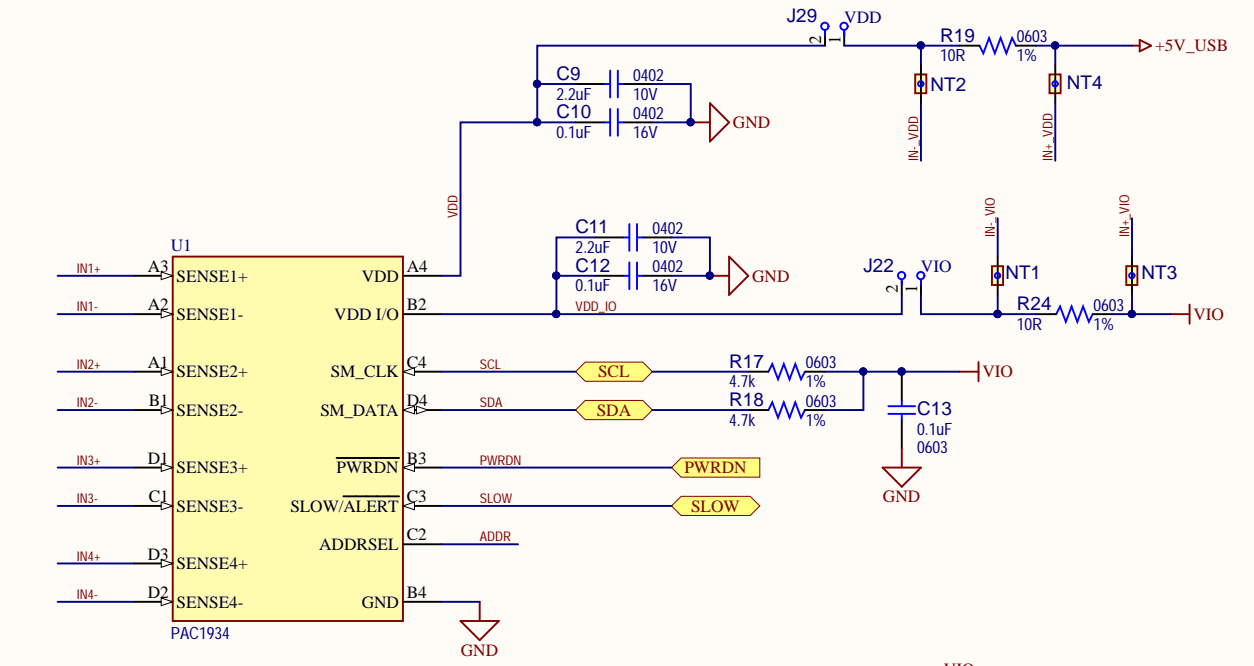
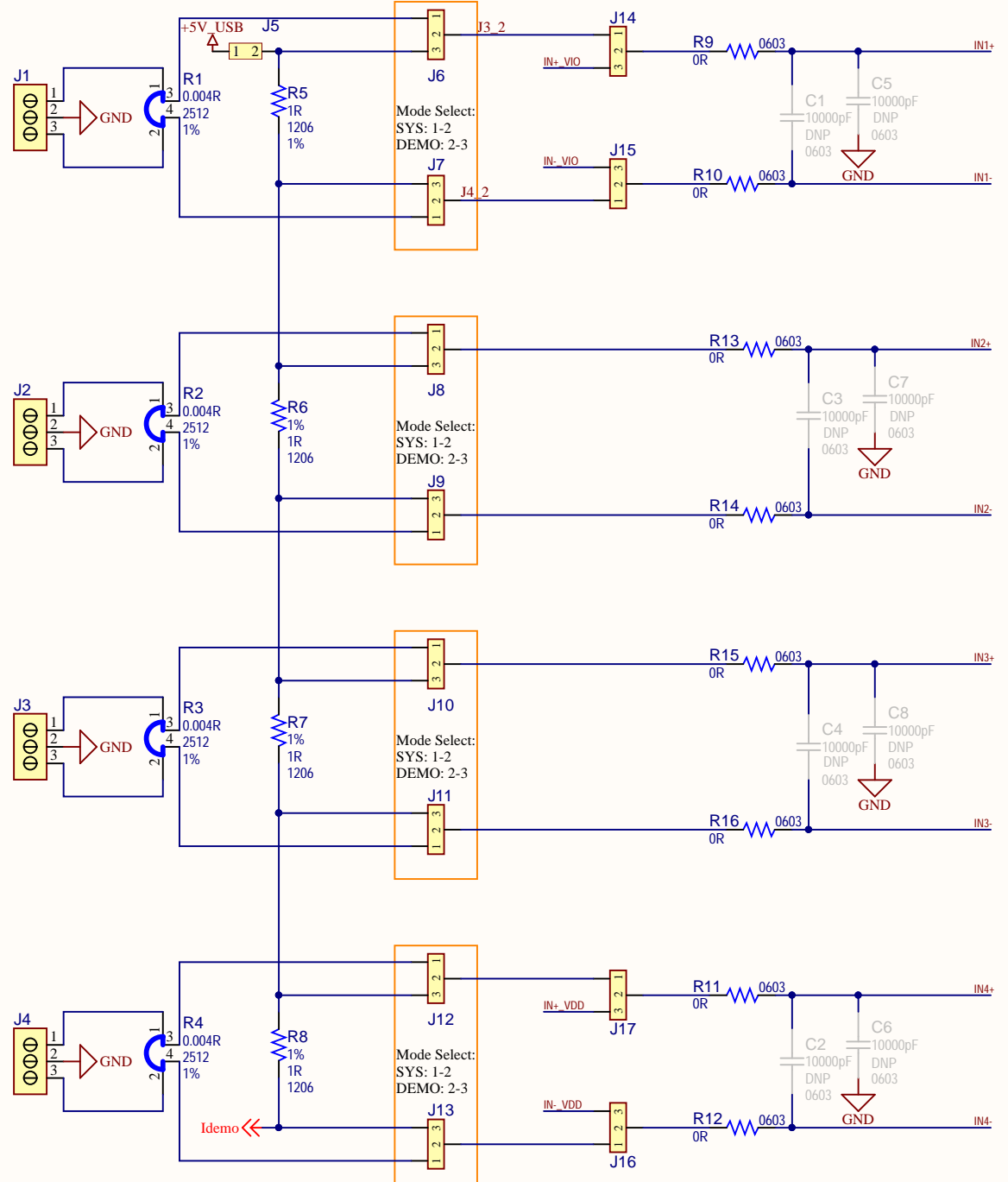
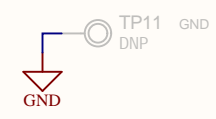
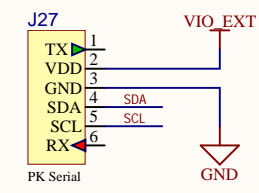
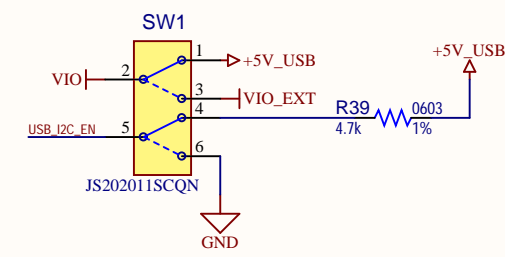
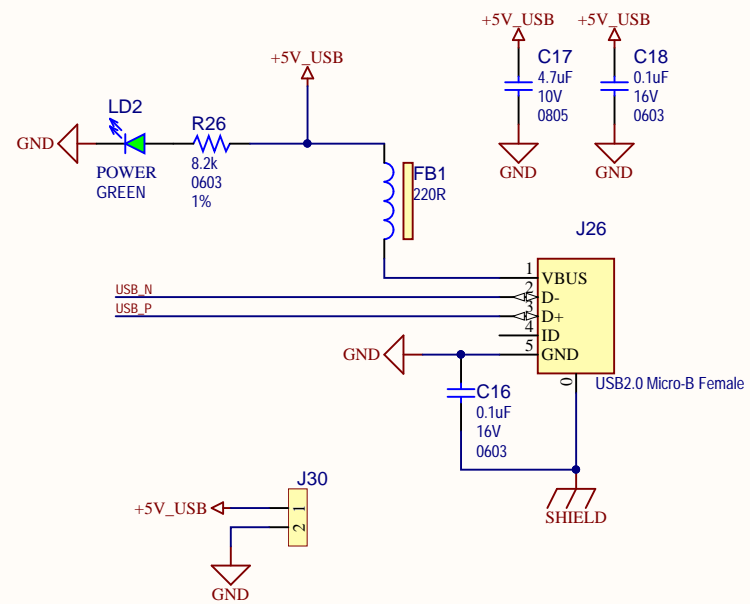
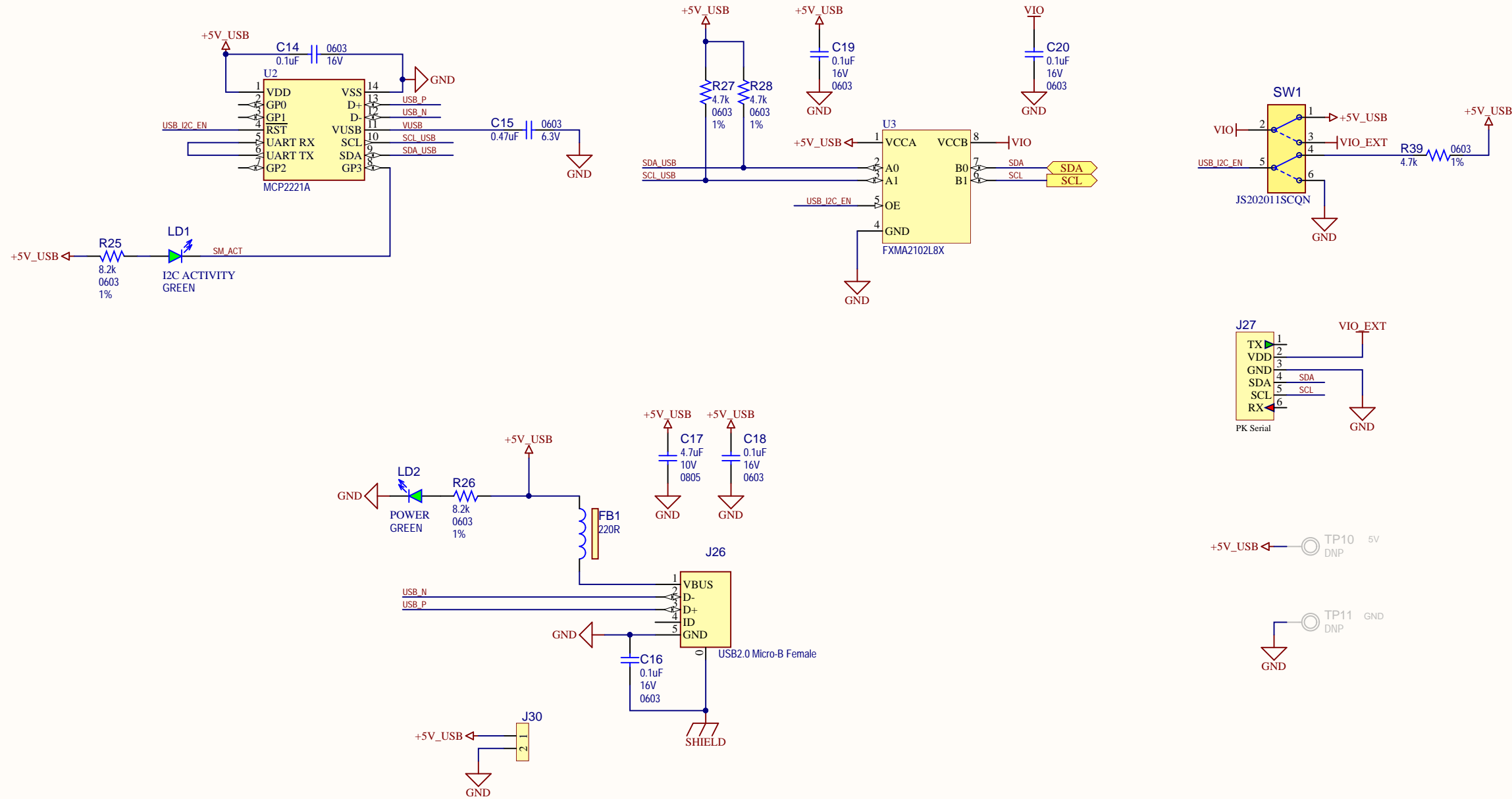


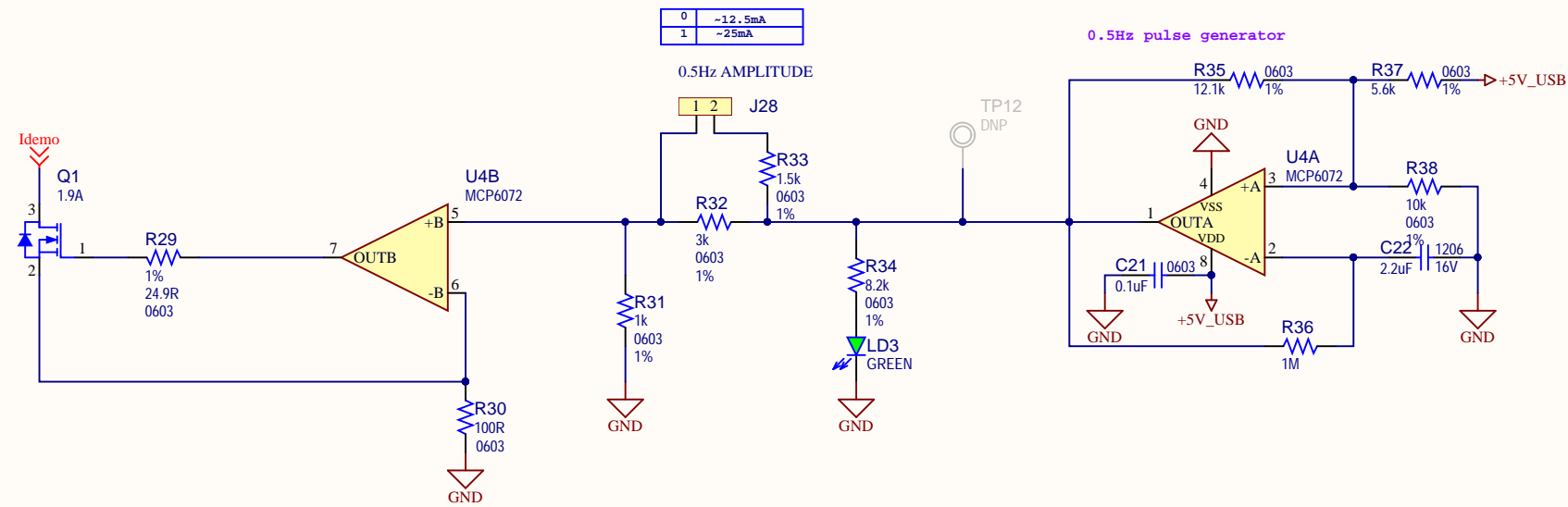
REV	ECO#	DESCRIPTION	DATE





Drawn By: Bogdan Popescu		
Engineer: Tom Anderson		
PartNumber: ADM00805	Project Title PAC1934 4 Ch DC Power Monitor Eval Board	
Sheet Title PAC1934		Designed with
Size B	Sch #03-10617	Date: 6/29/2017 4:05:50 PM
Revision:2		Sheet 1 of 4
File: PAC1934.SchDoc		



Drawn By: Bogdan Popescu		
Engineer: Tom Anderson		
PartNumber: ADM00805	Project Title PAC1934 4 Ch DC Power Monitor Eval Board	
Sheet Title USB and Power		<i>Designed with</i> Altium
Size B	Sch #:03-10617	Date: 6/29/2017 4:05:50 PM
Revision:2		Sheet 2 of 4
File: USB and Power.SchDoc		



Drawn By: Bogdan Popescu		
Engineer: Tom Anderson		
PartNumber: ADM00805	Project Title PAC1934 4 Ch DC Power Monitor Eval Board	
Sheet Title Current Sources		Designed with 
Size B	Sch #03-10617	Date: 6/29/2017 4:05:50 PM
	Revision:2	Sheet 3 of 4
File: Current Sources.SchDoc		

PAD2 PAD1 PAD4 PAD3

Rubber Pad Cyl D7.9H5.3

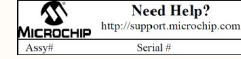


CBL1



USB Male-A to Male Micro-B

LABEL1



Label Need Help Large



Drawn By: Bogdan Popescu		
Engineer: Tom Anderson		
PartNumber: ADM00805	Project Title PAC1934 4 Ch DC Power Monitor Eval Board	
Sheet Title Mechanical		<i>Designed with</i>
Size B	Sch #:03-10617	Date: 6/29/2017 4:05:50 PM
Revision:2		Sheet 4 of 4
File: Mechanical.SchDoc		