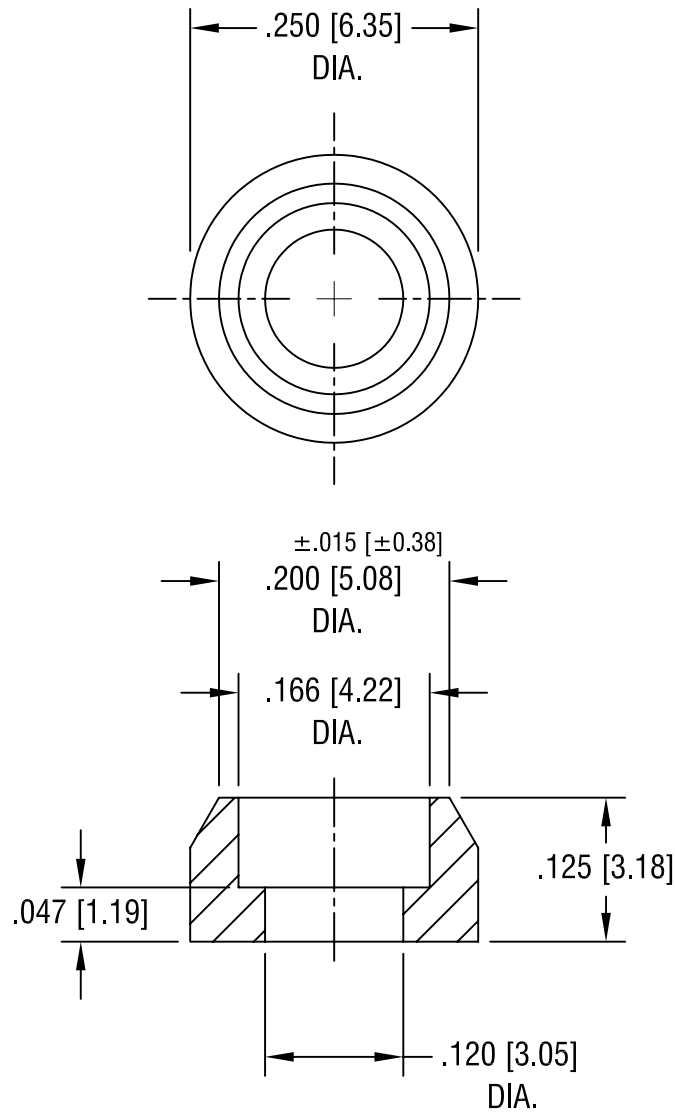


THIS DOCUMENT IS THE PROPERTY OF  
KEYSTONE ELECTRONICS CORP. AND  
SHALL NOT BE REPRODUCED, DISTRIBUTED  
OR USED AS A BASIS FOR MANUFACTURE  
WITHOUT PRIOR WRITTEN PERMISSION  
FROM KEYSTONE ELECTRONICS CORP.



**KEYSTONE ELECTRONICS CORP.**

ASTORIA, N.Y. 11105-2017

PART NAME

FERRULE

MATERIAL

ALUMINUM

FINISH

BLACK ANODIZE

DRN BY

BOONE

DATE

11.28.95

APP'D

LN

SCALE

6X

TOLERANCES

INCH [MM]

DECIMAL

±.005 [±0.15]

ANGULAR

± 1°

UNLESS OTHERWISE SPECIFIED

CODE

C

DWG NO.

7192

9.28.07

CHANGE AS PER ECN 07-061

B

2.16.01

CHANGE AS PER ECN 01-012

A

DATE

DESCRIPTION

REV.