

REVISIONS

P	LTR	DESCRIPTION	DATE	DWN	APVD
	A	INITIAL RELEASE	12APR2021	BS	CB

SAFETY ORGANIZATIONS

THIS FILTER WILL BE FORMALLY RECOGNIZED, CERTIFIED OR APPROVED BY THE LISTED AGENCY. THEREFORE, ALL TEST/REQUIREMENTS SPECIFIED IN THE LATEST REVISION OF THE FOLLOWING AGENCY STANDARDS WILL BE MET:

UL APPROVED 6A 520V 50Hz/60Hz 40°C  
 CSA PENDING 6A 520V 50Hz/60Hz 40°C

OPERATING SPECIFICATION

LINE CURRENT/VOLTAGE: 6A, 520VAC  
LINE FREQUENCY: 50/60Hz

MAXIMUM LEAKAGE CURRENT: 8.5mA @ 230VAC, 50Hz

OPERATING AMBIENT TEMPERATURE RANGE @ RATED CURRENT: -25°C TO +40°C

IN AN AMBIENT, T<sub>a</sub>, HIGHER THAN 40°C, THE MAXIMUM OPERATING CURRENT, I<sub>o</sub>, IS AS FOLLOWS:

$$I_o = I_r \sqrt{\frac{85 - T_a}{45}}$$

RELIABILITY SPECIFICATIONS

STORAGE TEMPERATURE: -40°C TO +85°C  
HUMIDITY: 21 DAYS @ 40°C AND 95% RH

TEST SPECIFICATIONS

INDUCTANCE, NOMINAL: 9.5mH

CAPACITANCE @ 1kHz

LINE TO GROUND, NOMINAL: 1.1µF  
NEUTRAL TO GROUND, NOMINAL: 2.2µF  
LINE TO NEUTRAL, NOMINAL: 2µF

DISCHARGE RESISTOR

L/L I.R. 2MΩ 1W  
 L/N I.R. 1MΩ 1W  
 L/G I.R. 2MΩ 1W  
 N/G I.R. 1MΩ 1W  
 IR (NO DISCHARGE RESISTOR) 20°C, 50% RH AND 100VDC, MIN: 6MΩ

RECOMMENDED RECEIVING INSPECITON HIPOT

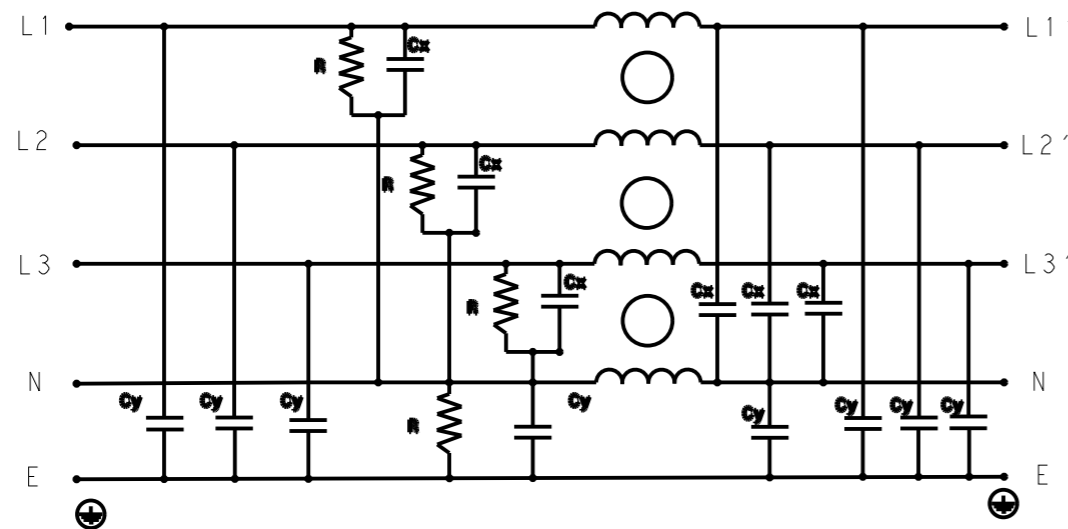
LINE TO GROUND FOR 1 MINUTE: 2856VDC  
LINE TO LINE FOR 1 MINUTE: 2236VDC  
LINE TO NEUTRAL FOR 1 MINUTE: 1290VDC

FILTER APPROVAL

THE BEST WAY TO SELECT AND QUALIFY A FILTER IS FOR YOUR ENGINEERING TO TEST THE UNIT IN YOUR EQUIPMENT.

LINE SIDE

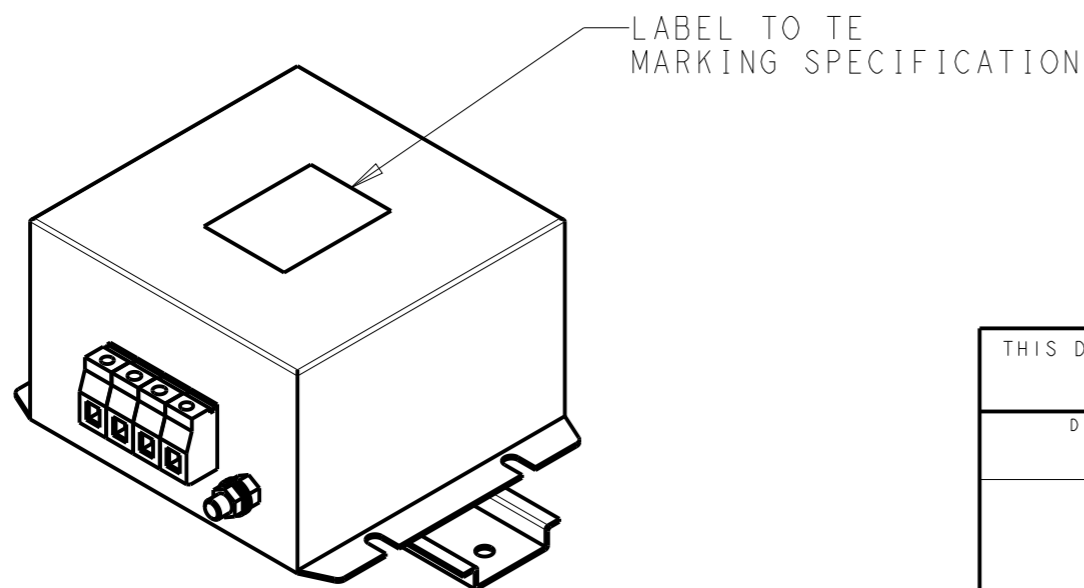
LOAD SIDE



SCHEMATIC

TYPICAL INSERTION LOSS  
COMMON MODE 50/50Ω; DIFFERENTIAL MODE 50/50Ω

MHz	0.01	0.05	0.15	0.5	1	3	5	10	30
CM	61	60	60	55	49	40	38	34	26
DM	56	52	54	50	47	35	30	40	32



THIS DRAWING IS A CONTROLLED DOCUMENT.		DWN 12APR2021 BAPAT SAHAS		
DIMENSIONS: mm		CHK 12APR2021 CHRIS BOLLE		
TOLERANCES UNLESS OTHERWISE SPECIFIED:		APVD 12APR2021 CHRIS BOLLE	NAME POWER LINE FILTER FOR DIN 35 RAIL INSTALLATION 6KEPS10BFPWHM	
0 PLC ±-		PRODUCT SPEC	SIZE	
1 PLC ±0.5		APPLICATION SPEC	CAGE CODE	
2 PLC ±0.40		WEIGHT	DRAWING NO	
3 PLC ±0.130		CUSTOMER DRAWING	A300779	
4 PLC ±0.0500		SCALE 1:2	SHEET 1 OF 2	
ANGLES ±-		RESTRICTED TO	REV A	
MATERIAL		G=7-1609969-4		
FINISH		REVISIONS		

© 2021 TE Connectivity. All Rights Reserved.

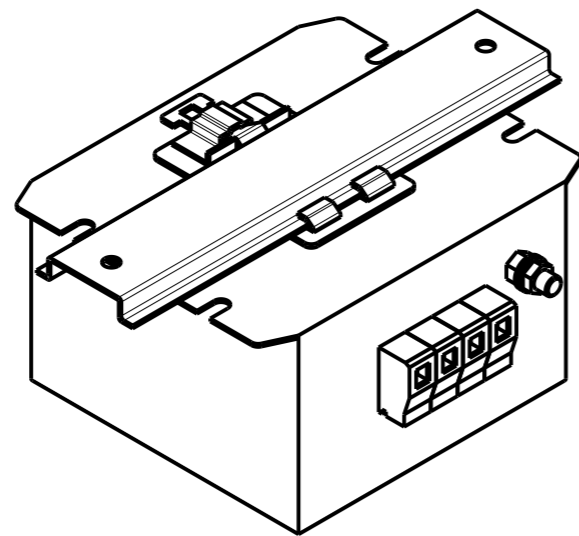
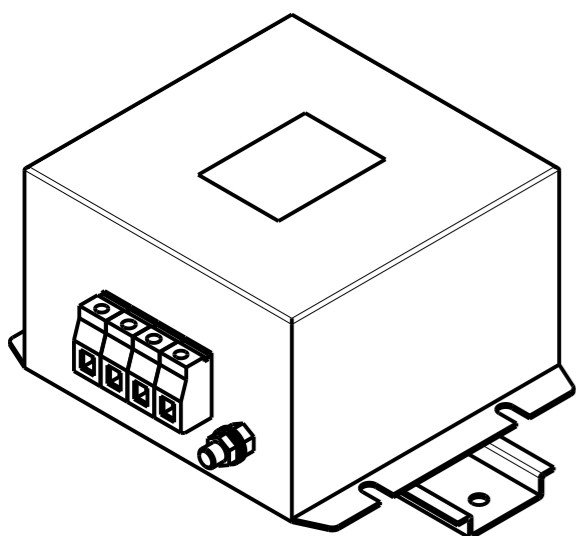
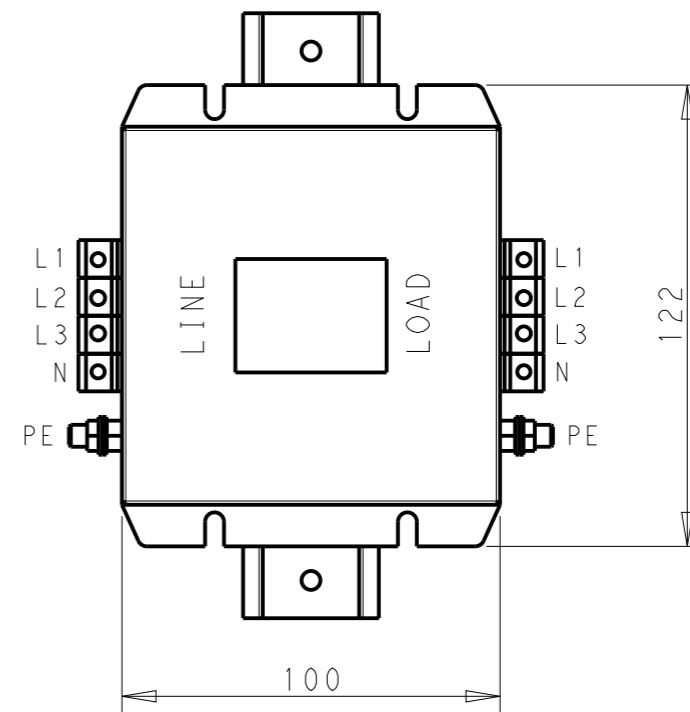
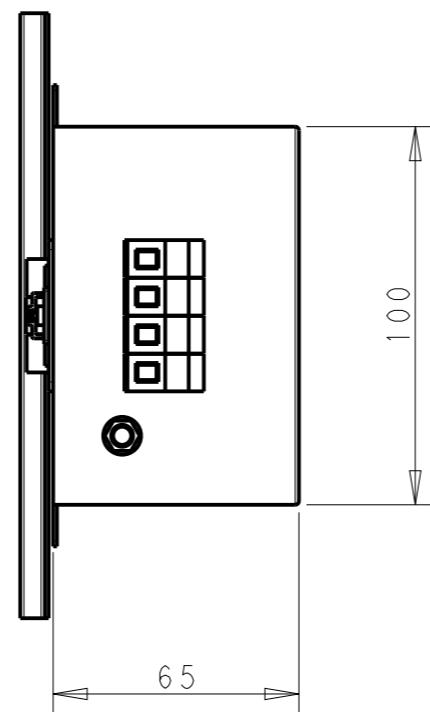
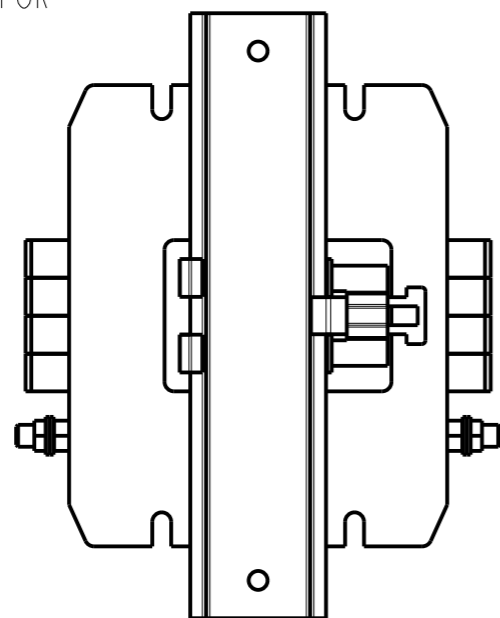
NOTE 1 GROUND CONNECTION:  
 FOR ELECTRICAL SAFETY AND FILTER PERFORMANCE  
 UNIT MUST HAVE A GOOD GROUND CONNECTION.  
 TORQUE OUTER TERMINAL SCREWS: 0.5Nm / 4.5 in.lbs  
 TORQUE GROUND NUTS: 2.5-3Nm

NOTE 2 INPUT OUTPUT CONNECTION TERMINAL  
 AWG SIZE: 26-12 AWG  
 WIRE SECTION: 4 mm<sup>2</sup>  
 THREADED BOLT SIZE FOR GROUND: M6

NOTE 3 SUPPLIED WITH DIN RAIL BRACKET

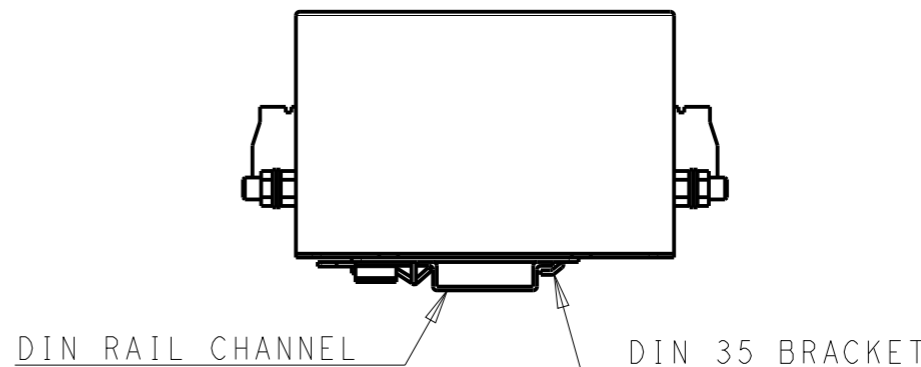
NOTE 4 DRAWINGS SHOWS DIN RAIL FOR REFERENCE ONLY

REVISIONS					
P	LTR	DESCRIPTION	DATE	DWN	APVD
		SEE SHEET 1			



FRONT SIDE

REAR SIDE



THIS DRAWING IS A CONTROLLED DOCUMENT.		DWN	12APR2021		<b>TE</b> TE Connectivity		
		CHK	12APR2021				
		APVD	12APR2021				
		CHRIS BOLLE	CHRIS BOLLE				
DIMENSIONS:		TOLERANCES UNLESS OTHERWISE SPECIFIED:		NAME			
mm				POWER LINE FILTER FOR			
		0 PLC	±0.5	DIN 35 RAIL INSTALLATION			
		1 PLC	±0.40	6KEPS10BFPWHM			
		2 PLC	±0.130	SIZE	CAGE CODE	DRAWING NO	RESTRICTED TO
		3 PLC	±0.0500	A3	00779	C-7-1609969-4	-
		4 PLC	±0.0500	CUSTOMER DRAWING			
MATERIAL		FINISH		SCALE			
-		-		1:2			
				SHEET			
				2 OF 2			
				REV			
				A			